

System consists of ultrasonic sensor, LCD/LED display and control box. This system detect the distance between the car and back obstruction with the ultrasonic sensor installed at the rear bumper of the car. The distance will be display at LCD/LED display.

● Main features

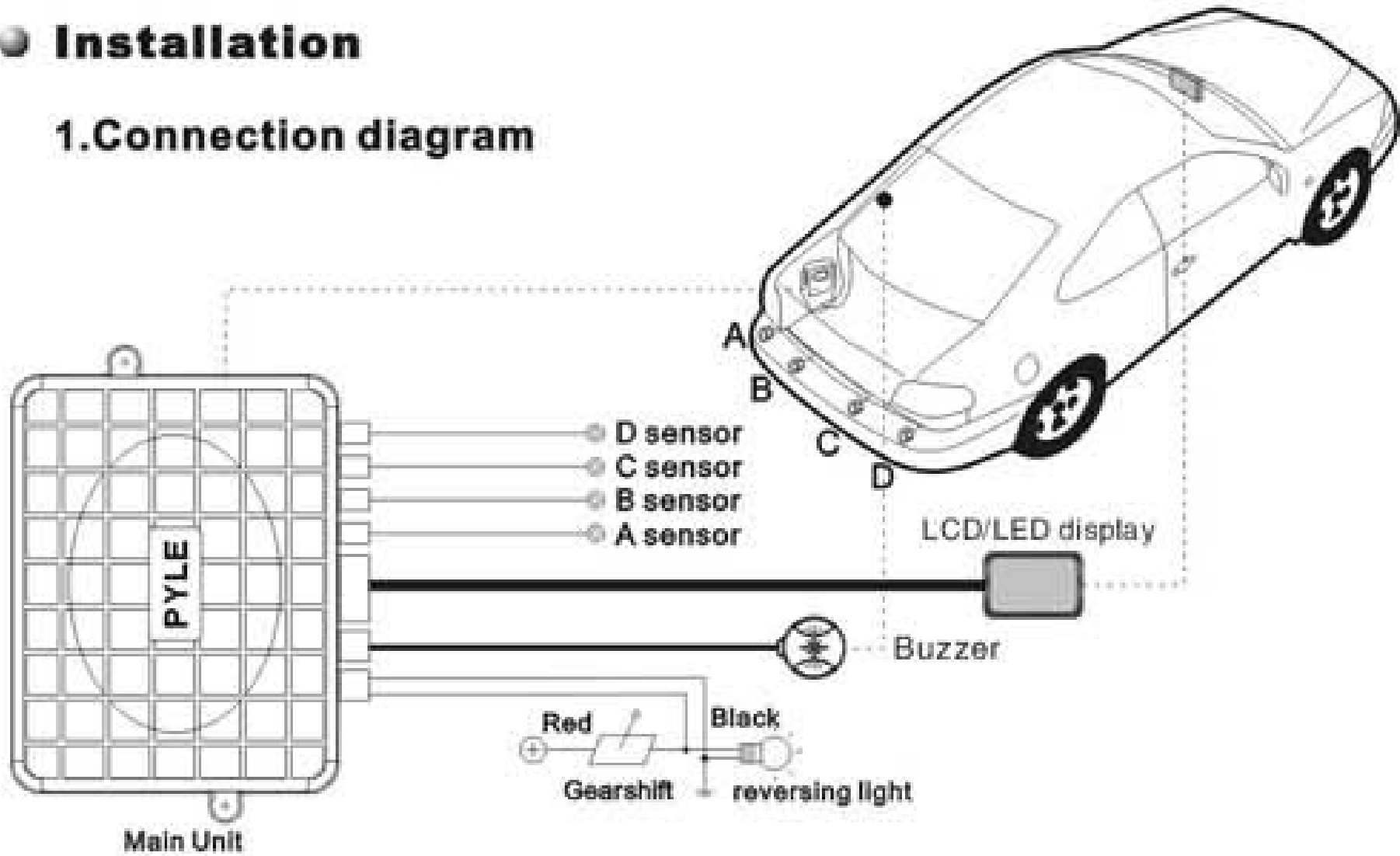
- ◆ Ultrasonic sensor
- ◆ LCD/LED display
- ◆ Buzzer
- ◆ Main control box

● Specifications

- ◆ Rated voltage:12V
- ◆ Operation voltage range: 10-15V(DC)
- ◆ Rated current:200mA~600mA
- ◆ Working temperature:-40~+80° C
- ◆ Detection distance:0.1~2M
- ◆ Display distance: 0.3M~2.0 M
- ◆ Alarming distance: 0.1M~1.5 M
- ◆ Alarming volume: ≥ 75 dB

● Installation

1. Connection diagram



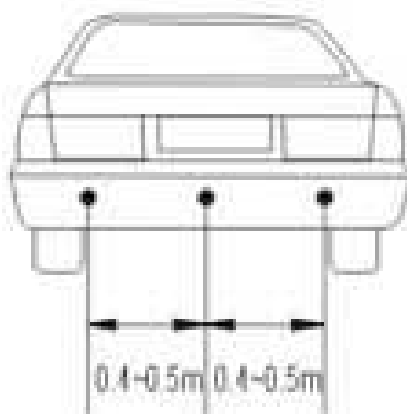
● **Installation**

Sensor installation

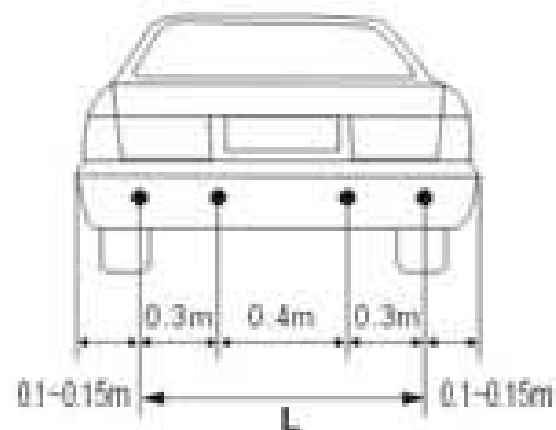
1) Advised position to install the sensor



Install two sensor



Install three sensor



Install four sensor

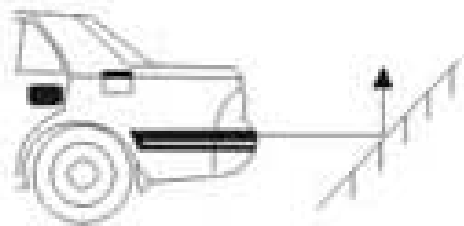
TROUBLE SHOOTING

Trouble	shoot
No power /no display	<ul style="list-style-type: none"> ● Check power input wires. ● Check ruse. ● Check connection between control unit and display unit
One or two sensors no respond or sensitive low	<ul style="list-style-type: none"> ● Check connection between power unit and sensors. ● Plug out all sensors and plug individually to rind out the defective sensors.
Display always same reading	<ul style="list-style-type: none"> ● Reset power input (shift again reverse gear) ● Plug out all sensors and plug individually to find the defective display same reading.
No display at LCD display	<ul style="list-style-type: none"> ● Check data cable between main unit and unit and LCD display.

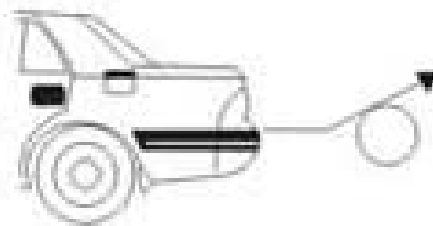
● **Use**

2. Caution

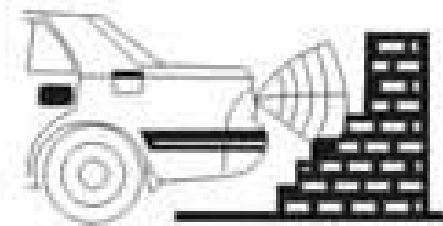
Objects maybe cause failure detection



Smooth slope



Smooth round object

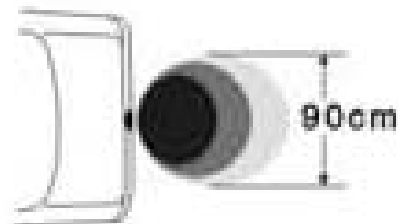


Over-high installation position

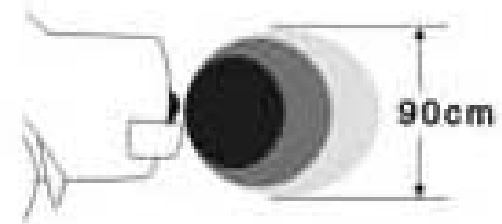
● Operation

Detecting Range

1) The width scope of single sensor



Top view

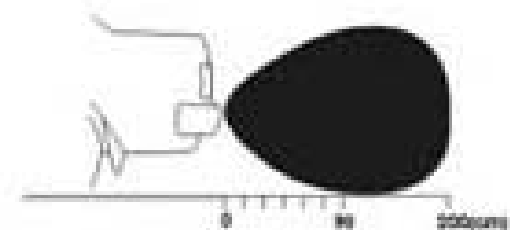


Side view

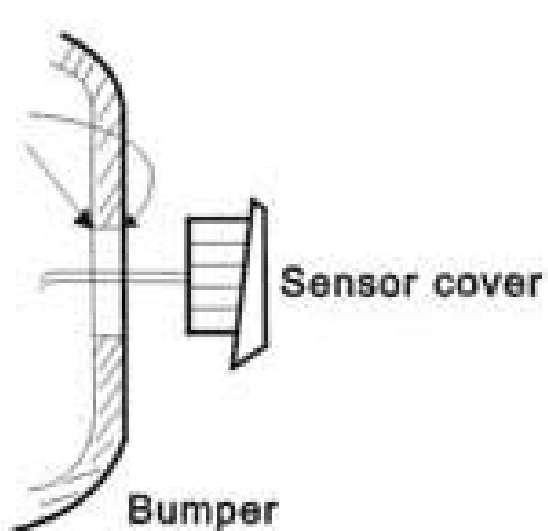
2) The probing distance



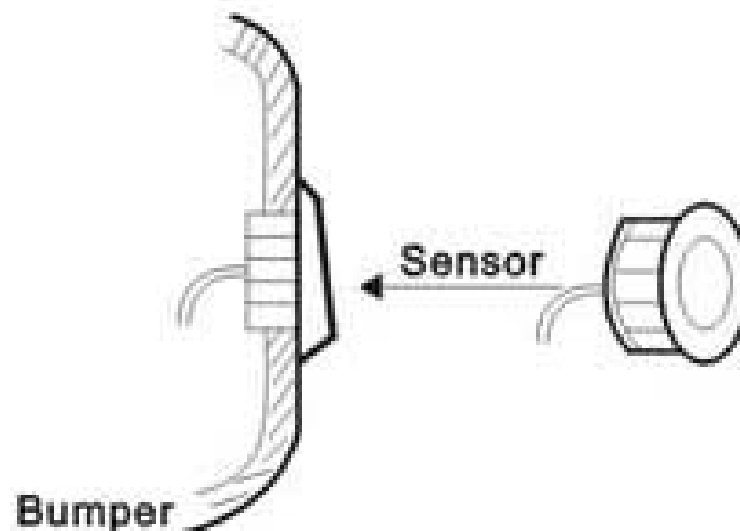
Top view



Side view



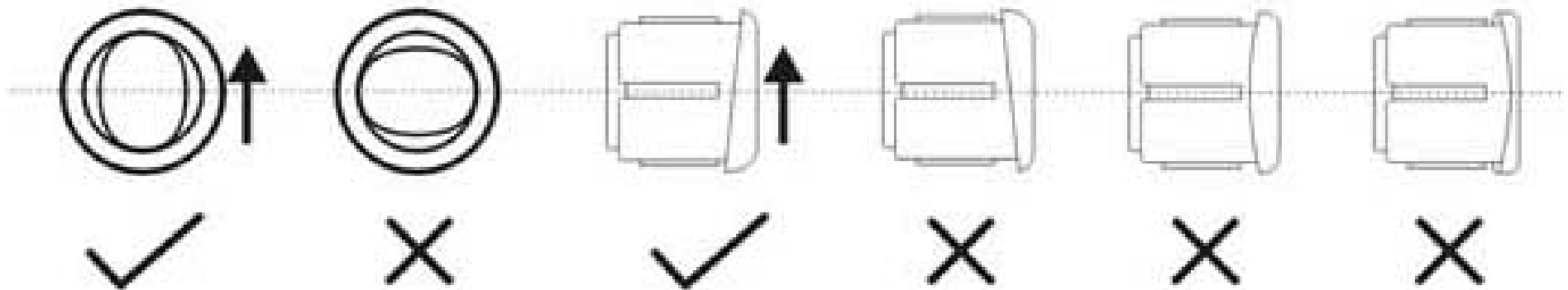
Step 1, install the sensor cover on bumper



Step 2, Plug the sensor into the sensor cover

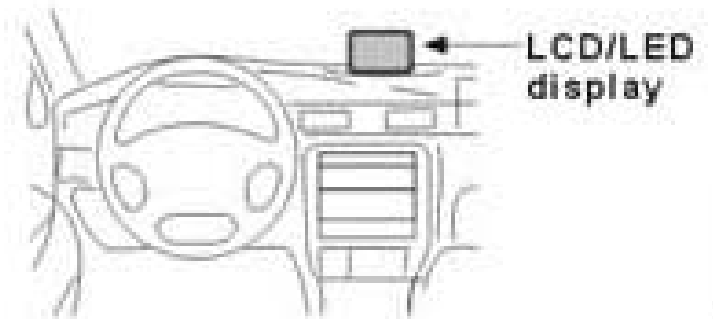
● Installation

sensor installation

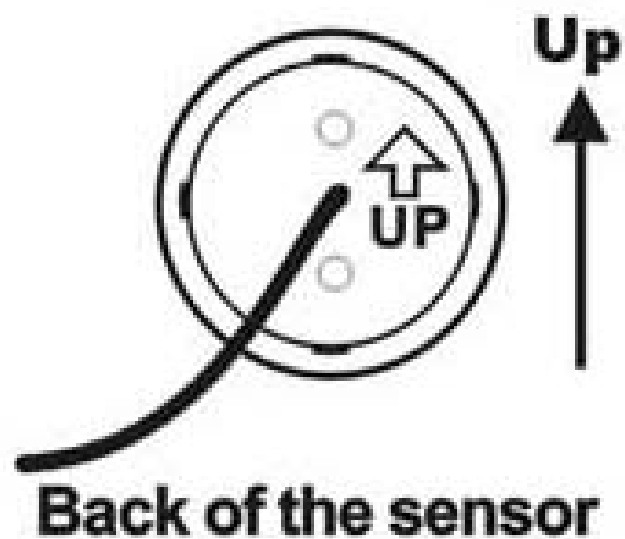
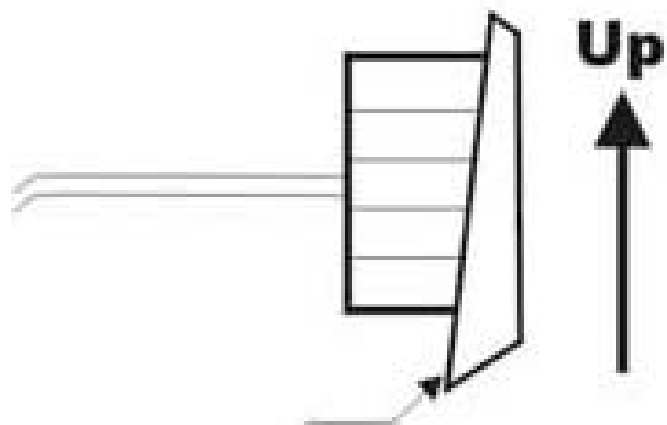


LCD display installation

Glue the pedestal of monitor on the front platform of the car or the position the owner likes best. The position should be the best visual to the driver.

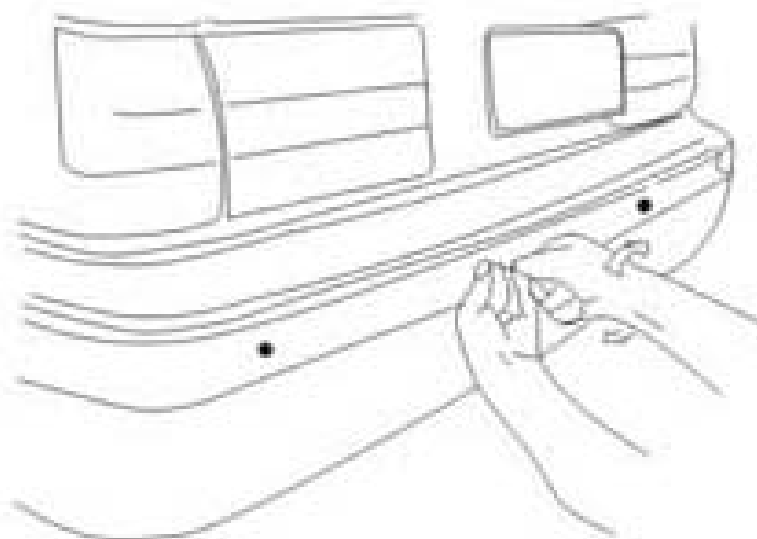


4. Sensor Installation

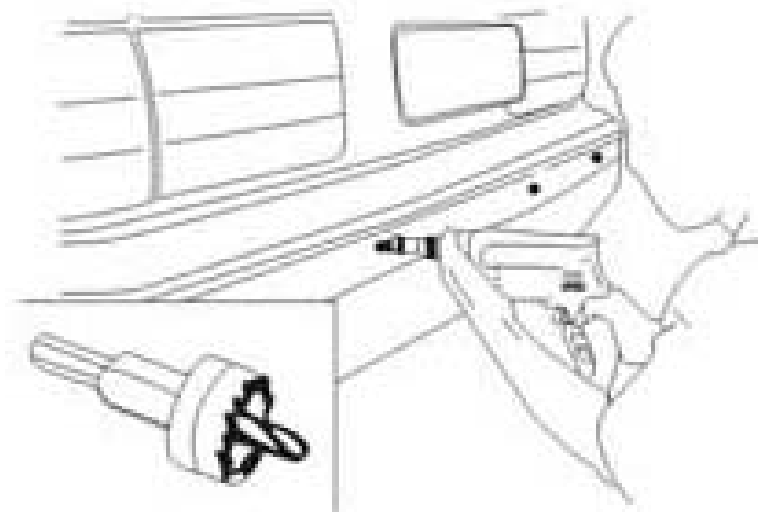


● **Installation**

3) Drill



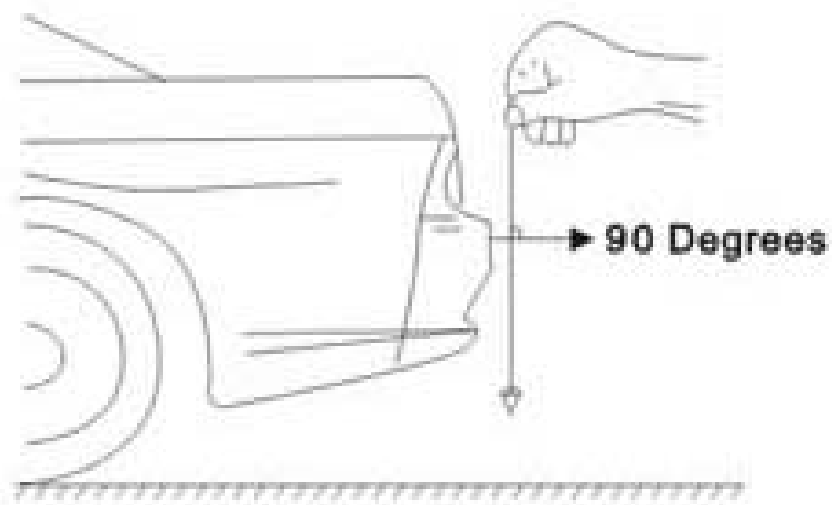
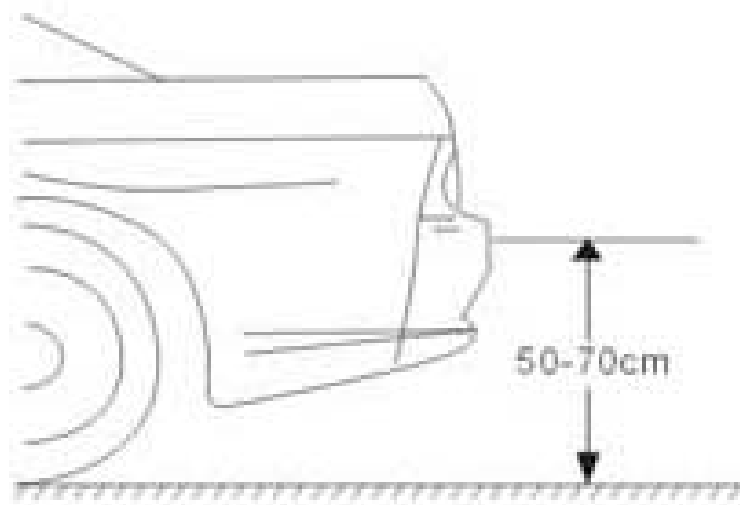
Determine the position of drilling by using a spear to make a point in order to avoid the slipping of drill



Point the drill at the position

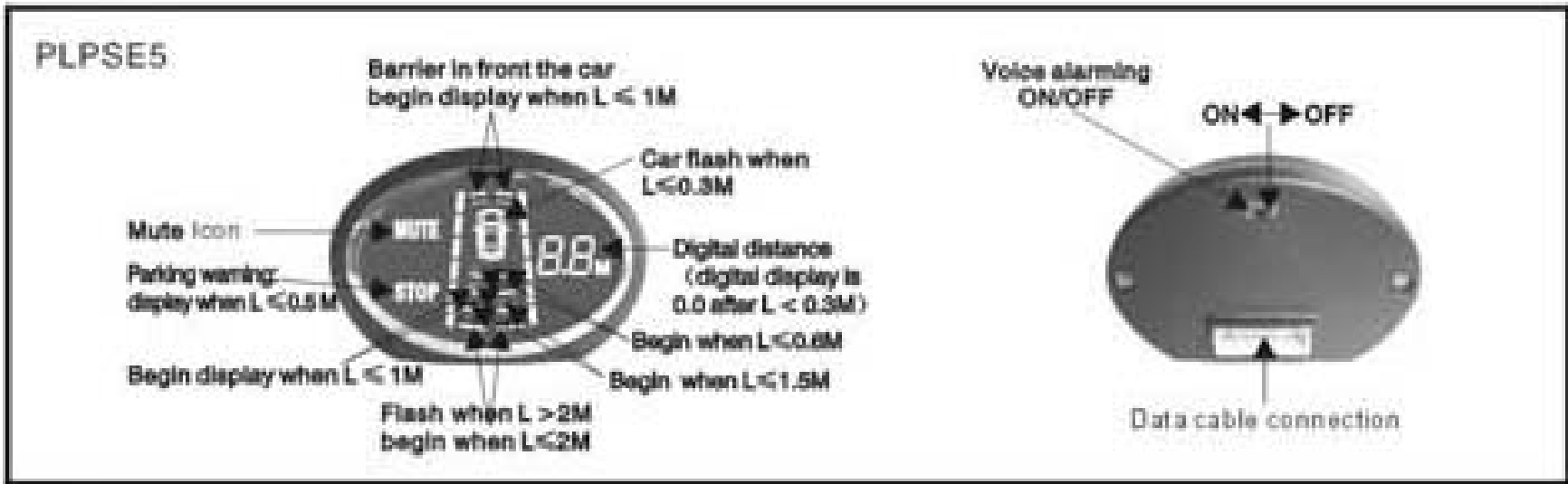
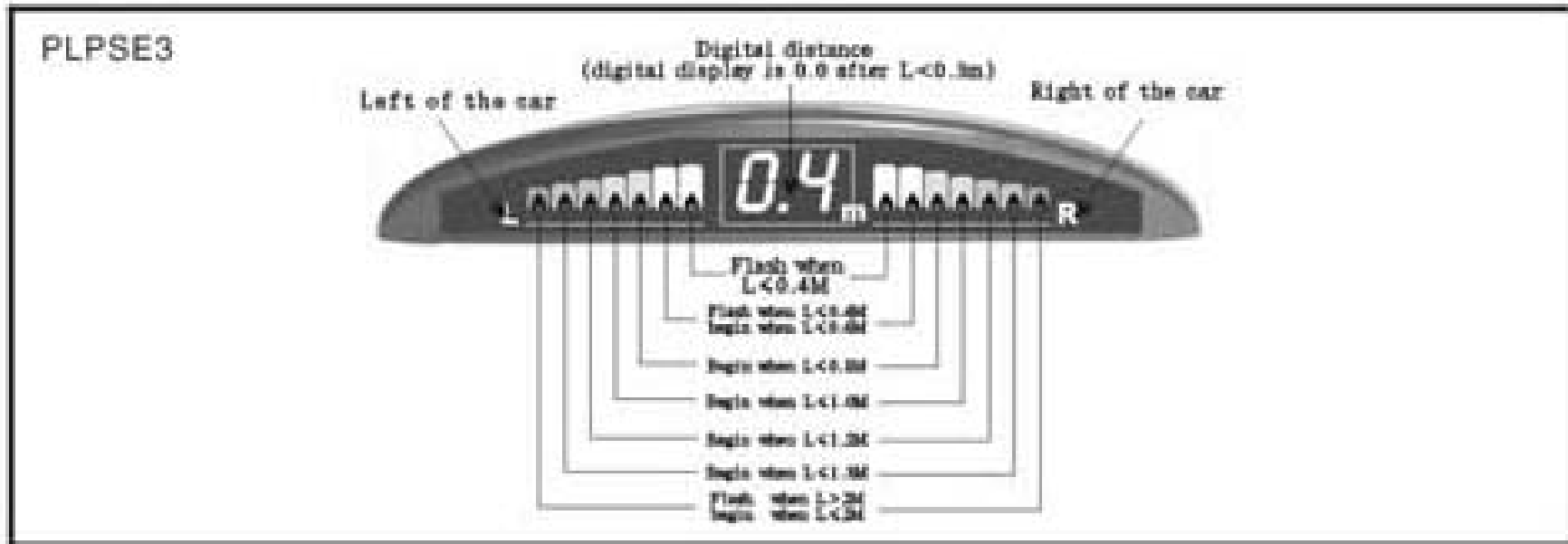


2) Sensor installation



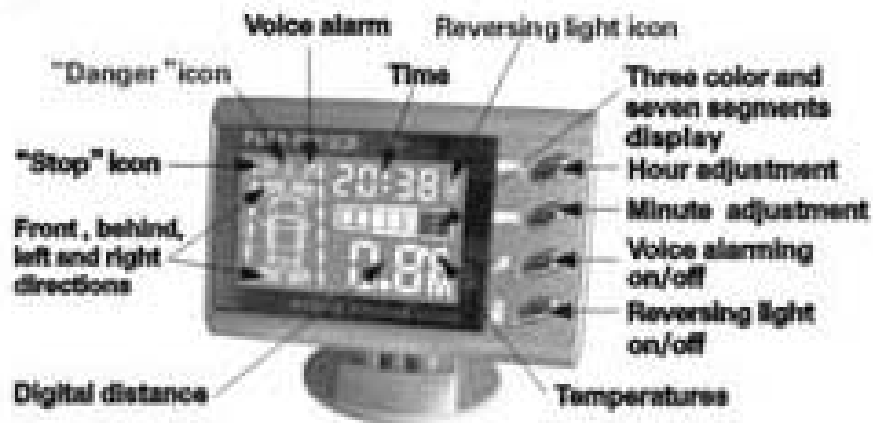
Stage	Distance	Alarm sound	Number	Voice
1	2M above	No sound	No Number	No voice
2	2.0M	No sound	2.0M	Two meter
3	1.5M	Beep...Beep...	1.5M	One point five meter
4	1M	Beep..Beep..	1M	One meter
5	0.6M	Beep..Beep..	0.6M	Zero point six meter
6	0.4M	Beep.Beep.	0.4M	Stop! Stop!Stop!
7	0.3M	BeepBeep	0.3M	No voice

*PLPSE3 MUTE DISTANCE ALERT





PLPSC8



PLPSV9

"Danger" alarm:
within 0.8 meter
Obstacle marking
Sound wave emission
simulation



Digital distance
"Stop" alarm:
within 0.5 meter
Mute

