

# PLPTS38

## Universal Dual Device Laptop Stand

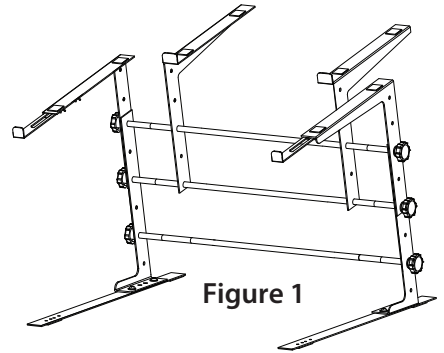
### Sound Equipment DJ Mixing Workstation

**PYLE**

PyleUSA.com

#### USER MANUAL

1. Install stand as per instruction on Figure 1.
2. Tighten the screws and knobs.
3. Place the the laptop or other equipment on the stand.
4. Do not throw any parts or packaging for future use.



You can adjust the knobs for Part No. 9 and 13 to adjust the width and height you need.

#### Features:

- Safe & Reliable Device Placement
- Rugged & Durable Metal Construction
- Size Adjustable for Universal Device Compatibility
- Perfect for Laptops, Mixers, Sound Processors, etc.
- Stable & Ergonomic Tabletop Design
- Width Assembly Adjustable
- Perfect for the Home, Office or Studio
- \*Some Assembly Required

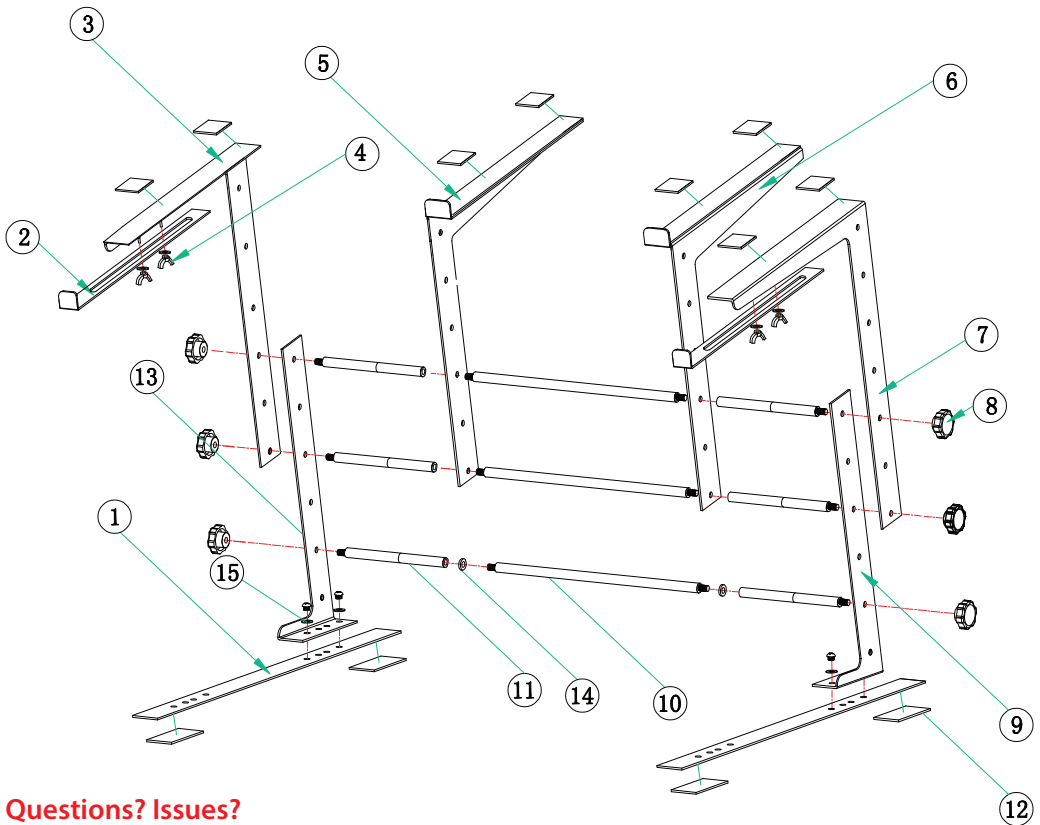


#### Technical Specs:

- Construction Material: Steel
- Top Bracket Maximum Width: 9.4"-11.4" -inches, Length: 10.62-inches
- Lower Bracket Width: 11.4"-13.4 -inches, Length: 9.25-15.5 -inches
- Assembled Dimensions (L x W x H): 14.0" x 26.4" x 13.4" -inches
- Maximum Weight Load Capacity: 33 lbs.

PART NO	PART NAME	QTY(PCS)
1	Foot bar	2
2	Sliding bar	2
3	Left top holder	1
4	Knob and wash	4
5	Middle left top holder	1
6	Middle right top holder	1
7	Right top holder	1
8	Plastic knob	6

PART NO	PART NAME	QTY(PCS)
9	Right bottom support	1
10	Cross rod	3
11	Extension rod	6
12	EVA	16
13	Left bottom support	1
14	Plastic washer	2
15	M5 screw and rubber washer	4



### Questions? Issues?

We are here to help!

Phone: (1) 718-535-1800

Email: [support@pyleusa.com](mailto:support@pyleusa.com)



WARNING:

This product can expose you to a chemical or group of chemicals, which may include "Lead And Cadmium" which is known in the state of California to cause cancer, birth defects, or other reproductive harm. For more info, go to <https://www.p65warnings.ca.gov/>.