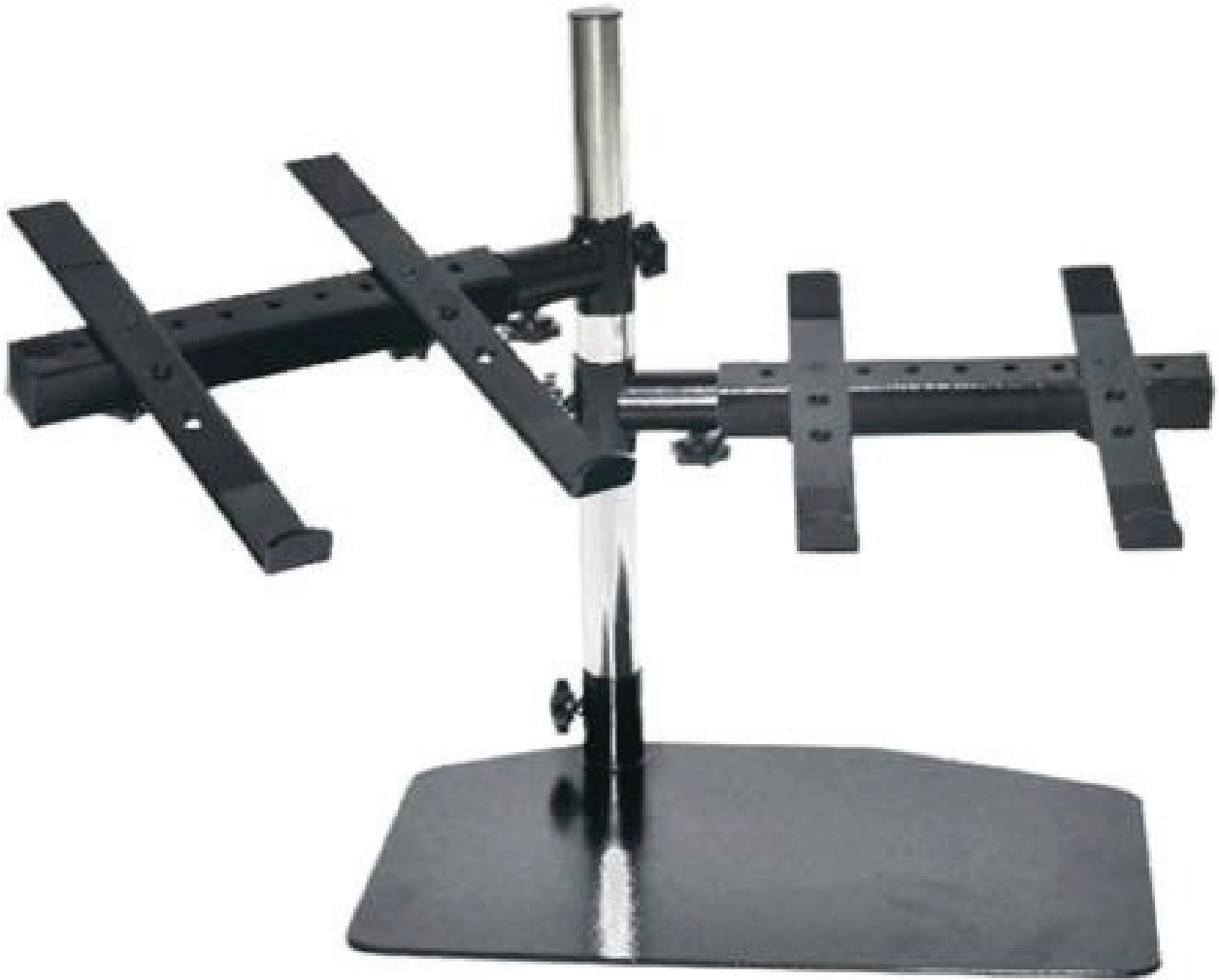


PYLE

PyleUSA.com



USER'S MANUAL

LAPTOP, MIXER & STUDIO EQUIPMENT STAND HOLDER

PLPTS45

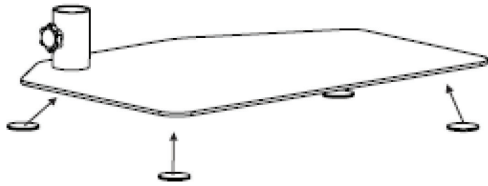
Thanks of your choosing this Laptop, Mixer & Studio Equipment Stand Holder

- This stand can hold the laptop, mixer, interface box, DJ turn table etc. (On the base or holder).
- It can adjust the height and angle, it is solid and multi-functional, hope you enjoy this stand.

Here bellow are in the assembling steps:

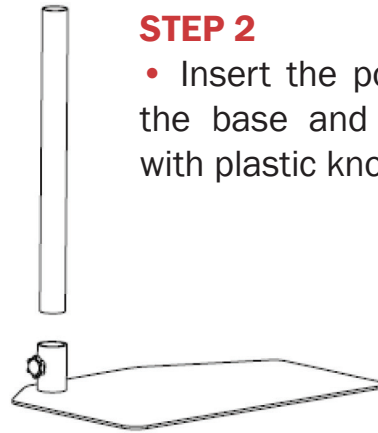
STEP 1

- Stick 4 EVA pads on the bottom of base in order to protect the table under it.



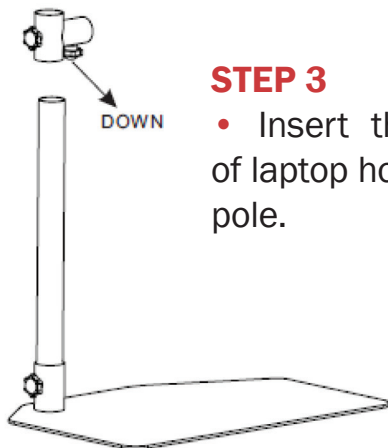
STEP 2

- Insert the pole into the base and lock it with plastic knob.



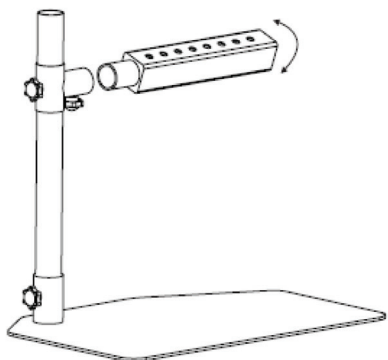
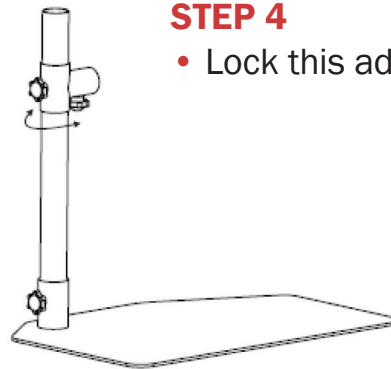
STEP 3

- Insert the adapter of laptop holder on the pole.



STEP 4

- Lock this adapter.

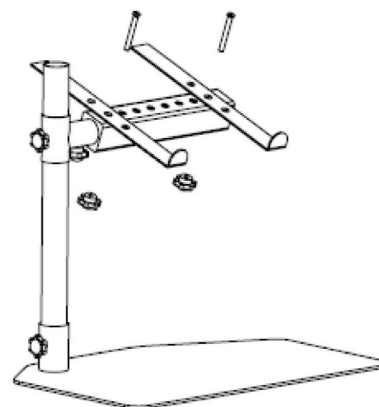


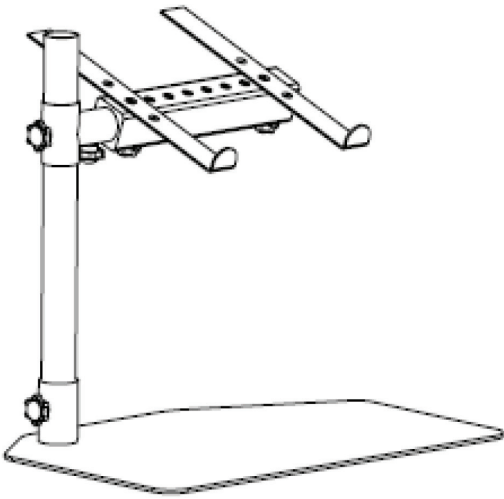
STEP 5

- Insert the square tube into the adapter and tighten it with the knob under the adapter.

STEP 6

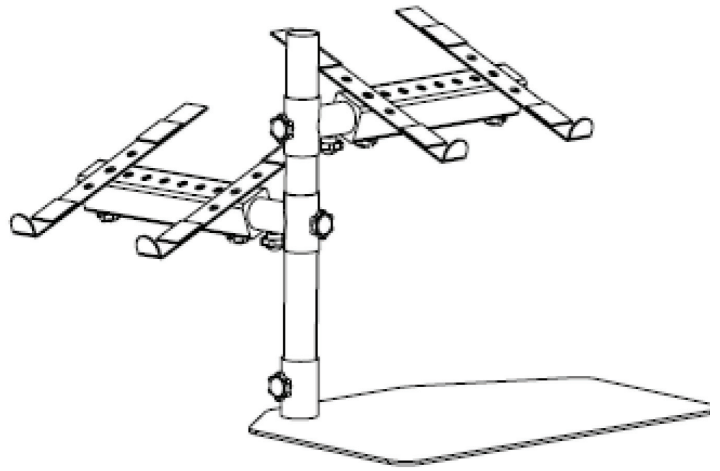
- Mount two pieces of laptop holders on the square tube with two bolts and plastic knobs.
- You should choose the depth and the width of the holders to match the laptop or other machine maybe placed on.





STEP 7

- Now adjust the angle and tighten the bolts and knobs in order to make sure they are strong and solid enough.



STEP 8

- Stick 4 pieces of the EVA on the holders in order to protect the laptop and other machine
 - Adjust the height and others if need.
- Now you are ready to use this stand

LAPTOP, MIXER & STUDIO EQUIPMENT STAND HOLDER FEATURES AND SPECIFICATIONS

Features:

- Includes (2) Universal Device Holding Bracket Arms
- Provides Convenient Access to Two Separate Devices
- Holds Laptops, Mixers, Turntables, Sound Equipment, etc.
- Quickly and Easily Make Height, Rotation and Tilt Adjustments
- Both Bracket Arms Feature Width, Depth and Height Adjustment
- Rotary Clamp-Style Locking Mechanisms
- Fully Rotational, 360° Swivel Ability
- Device Tilting Adjustment: 0° - 75°
- Can Hold up to 17.0" Laptops
- Low-Profile Heavy Duty Base
- Safe & Secure Device Placement
- Rugged & Reliable Steel Construction
- Can Be Placed On Top or Under Other Equipment
- Perfect for On Stage and In-Studio Use
- For Beginner and Professional Applications
- Used by Musicians, Instrument Players, Performers, Sound Engineers, DJ, MC, etc.
- Assembly Instructions Included
- Can Hold Devices as Small as 2.0" Wide
- Weight: 9.0 lbs.

Size/Dimensions:

- Tabletop Base (L x W x H): 15.0" x 9.8" x 0.2" inches
- Adjustable Height (Device Holding Arms): 3.5" to 15.7" inches
- Total Unit: 24.5" x 11.0" x 16.0" inches

PYLE

PyleUSA.com