

PYLE®

PLR31MP

www.pyleaudio.com

OWNER'S MANUAL

Mobile Audio/Video System



- **RBDS (Radio Data System) Operation**
- **Automatic Memory Storing**
- **Detachable Panel**
- **Preset Equalization**
- **Memory Card Interface**
- **USB Interface**
- **Auxiliary Input Function**
- **Remote Control**

CONTENTS

| | |
|--|-----------|
| Installation | 3 |
| DIN Front-Mount (Method A)..... | 3 |
| Installing the unit | 3 |
| Removing the unit | 3 |
| DIN Rear-Mount (Method B) | 3 |
| Using the detachable control panel .. | 4 |
| Wiring Connection | 5 |
| Operation..... | 6 |
| Radio operation | 7 |
| USB operation..... | 7 |
| Memory card operation | 8 |
| Remote control | 9 |
| Specification | 10 |
| Trouble shooting..... | 11 |

INSTALLATION

(b) Holder

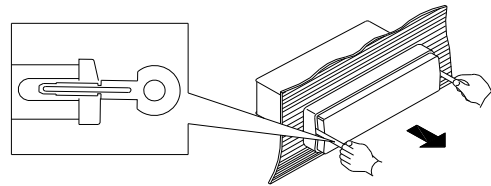
Notes:

- Choose the mounting location where the unit will not interfere with the normal driving function of the driver.
- Before installing the unit, connect the wiring temporarily and make sure it is all connected up properly and the unit and the system work properly.
- Use only the parts included with the unit to ensure proper installation. The use of unauthorized parts can cause malfunctions.
- Consult with your nearest dealer if installation requires the drilling of holes or other modifications of the vehicle.
- Install the unit where it does not get in the driver's way and cannot injure the passenger if there is a sudden stop, like an emergency stop.
- Avoid installing the unit where it would be subject to high temperature, such as from direct sunlight, hot air, from the heater, or where it would be subject to dust, dirt or excessive vibration.

After inserting the holder into the dashboard, select the appropriate tab according to the thickness of the dashboard material and bend them inwards to secure the holder in place.

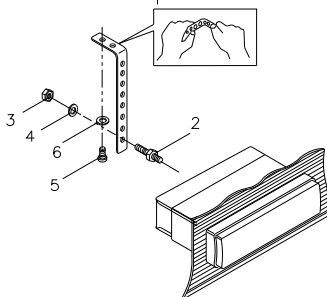
Removing the unit

Insert both of the supplied keys into the slots at the middle left and right sides of the unit, then pull the unit out of the dashboard.



DIN FRONT-MOUNT (Method A)

Installing the unit



(1) Metal Strap

Be sure to use the strap to secure the back of the unit in the place. The strap can be bent by hand to the desired angle.

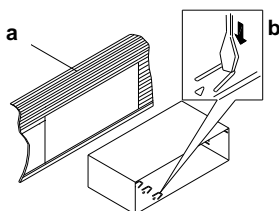
(2) Mounting Bolt

(3) Hex Nut

(4) Spring Washer

(5) Tapping Screw

(6) Plain Washer

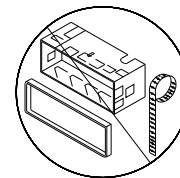
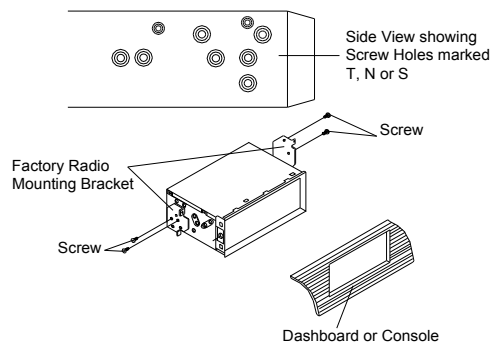


(a) Dashboard

DIN REAR-MOUNT (Method B)

If your vehicle is a Nissan, Toyota, follow these mounting instructions.

Use the screw holes marked T (Toyota), N (Nissan) located on both sides of the unit to fasten the unit to the factory radio mounting brackets supplied with your vehicle.



To fasten the unit to the factory radio mounting brackets.

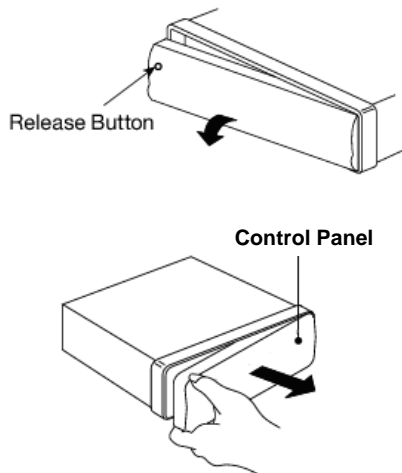
Align the screw holes on the bracket with the screw holes on the unit, and then tighten the screws (5x5mm) on each side.

Note: the outer trim ring, sleeve and the metal strap are not used for method B installation.

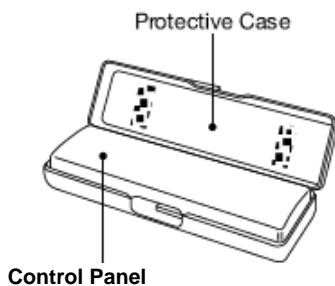
USING THE DETACHABLE CONTROL PANEL

To Detach the Control panel

1. Press the release button (▲) on the front panel and pull off the control panel.

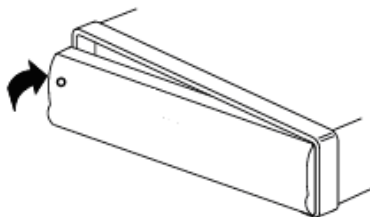


2. Keep the control panel into the case.



To Install the Control Panel

To install the control panel, insert the panel into the housing and make sure the panel is properly installed. Otherwise, abnormality occurs on the display or some keys will not function properly.

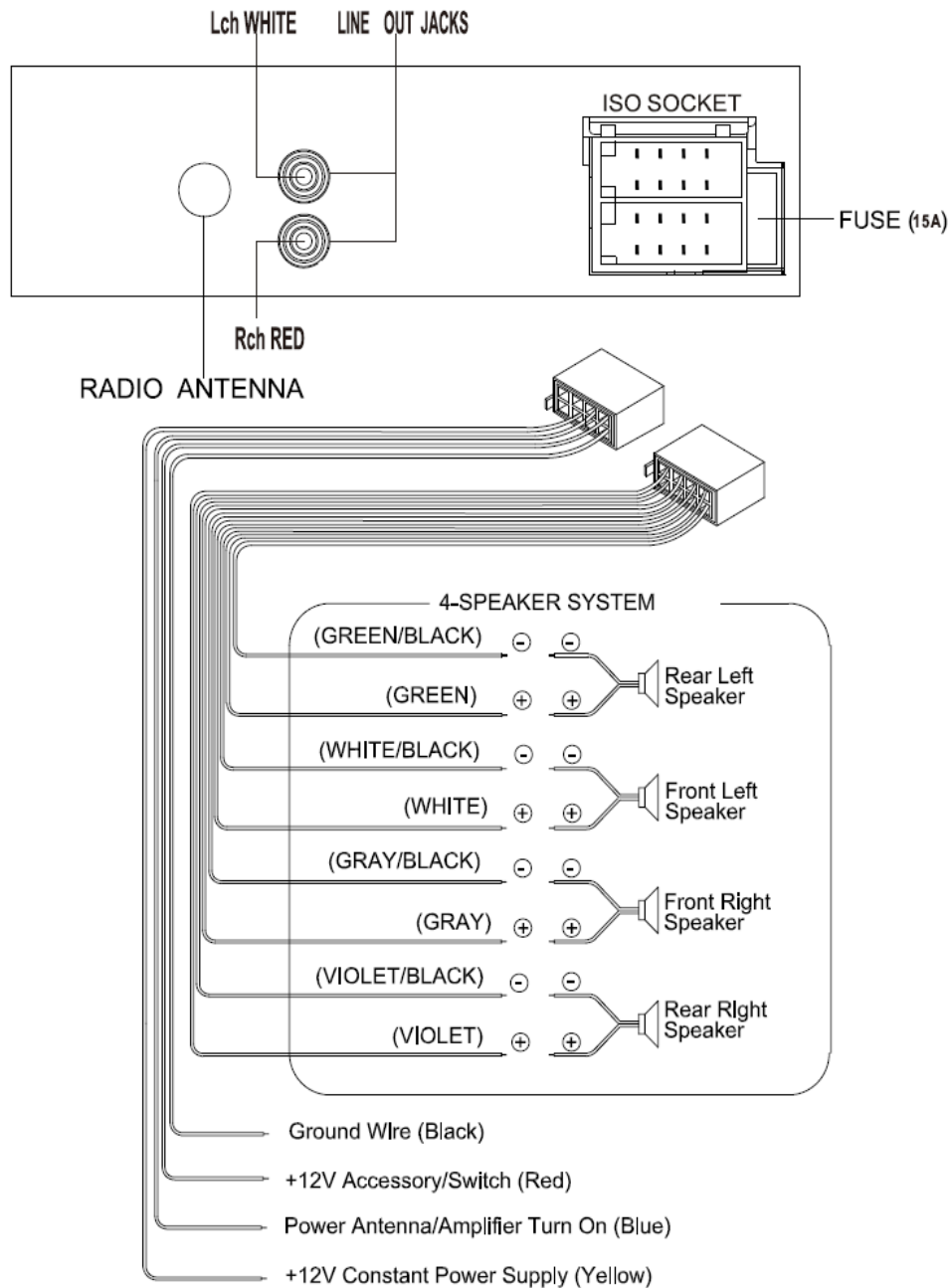


Precautions when handling

1. Do not drop the control panel.
2. Do not put pressure on the display or control buttons when detaching or re-installing the control panel.
3. Do not touch the contacts on the control panel or on the main unit body. It may result in poor electrical contact.
4. If any dirt or foreign substances adhered on the contacts, they can be removed with a clean and dry cloth.
5. Do not expose the control panel to high temperatures or direct sunlight in anywhere.
6. Keep away any volatile agents (e.g. benzene, thinner, or insecticides) from touching the surface of the control panel
7. Do not attempt to disassemble the control panel.

WIRING CONNECTION

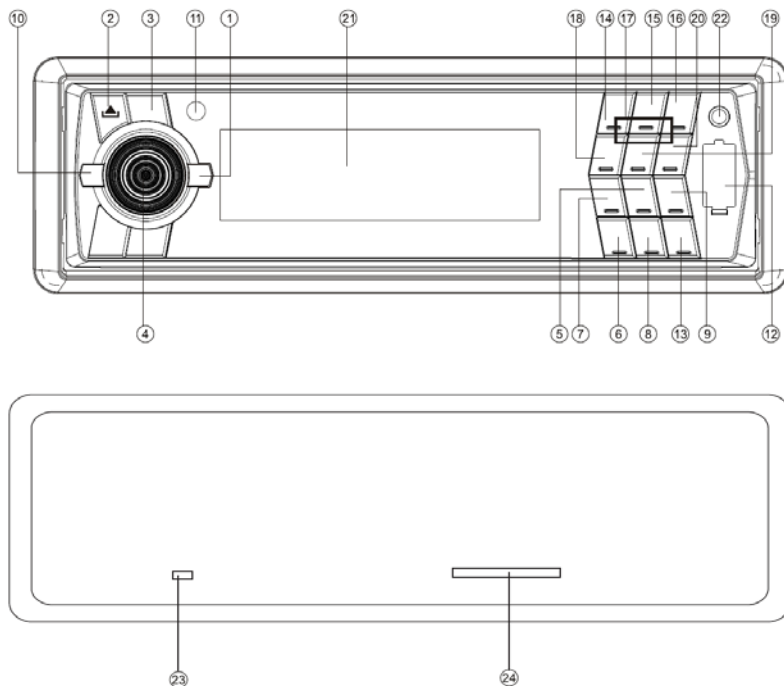
FOR 4X40W SYSTEM



Use the volume knob to set Beep sound ON or OFF.

OPERATION

LOCATION OF KEYS



1. ►► Tune/seek/track up button
2. ▲ Release button
3. ⏸/MUTE button
4. Volume knob (when rotated)
SEL button (when pressed)
5. EQ/TA button
6. DISP /Navi-SCH button
7. PTY/AF button
8. MODE button
9. AS/PS button
10. ◀◀ Tune/seek/track down button
11. Remote sensor
12. USB interface
13. BAND/LOUD/ENT button
14. 1 PAU button
15. 2 SCN
16. 3 RPT
17. 1-6 preset buttons
18. 4 SHF
19. 5 DIR-
20. 6 DIR+
21. Liquid crystal display
22. AUX IN
23. Reset button
24. Memory card interface

SWITCHING ON/OFF THE UNIT

Press **⏸/MUT** button to turn on the unit. When the system is on, press and hold **⏸/MUT** button to turn off the unit.

FACEPLATE RELEASE

Press **▲** button to release the removable faceplate.

SOUND ADJUSTMENT

Press **SEL** button shortly to select the desired adjustment mode. The adjustment mode will change in the following order:

VOL → BAS → TRB → BAL → FAD

(Volume) (Bass) (Treble) (Balance) (Fader)

By rotating the volume knob clockwise or counter-clockwise, it is possible to adjust the desired sound quality.

SYSTEM SETTING

Press and hold **SEL** button on the control panel to enter system setting mode. Then shortly press **SEL** button to select the item you want to change and rotate the volume knob to change the corresponding setting.

1) BEEP ON/OFF

2) AREA EUR/USA

Use the volume knob to set AREA EUR, AREA USA frequency spacing.

Note the frequency range of the different area is not the same.

3) P-VOL

Use the volume knob to select the volume level when the unit turns on.

DISPLAY INFORMATION

Press **DISP** button to operate as the conversion of each display mode.

EQUALIZATION

Shortly press **EQ** button to turn on equalization function and to select desired audio mode. There are five kinds of mode as below:

→FLAT→CLASSICS→POP M→ROCK M→DSP OFF

MUTE

Press **⏸/MUTE** button to mute down the sound instantly. Press again to resume the sound.

LOUDNESS

Press **BAND/LOUD/ENT** button for several seconds to reinforce the bass output and "LOUD" will appear on the display. Press it for several seconds again to release this function.

OPERATION

MODE SELECTION

Press **MODE** button to select radio, USB, SD or AUX mode.

AUXILIARY INPUT

The unit can be connected to a portable audio player through the auxiliary input jack **AUX IN** on the control panel. After finishing the connection, you can press **MODE** button on the control panel to switch the mode to AUX mode.

RESET FUNCTION

Reset button must be activated with either a ballpoint pen or thin metal object. The **RESET** button is to be activated for the following reasons:

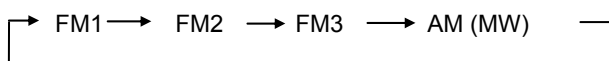
- Initial installation of the unit when all wiring is completed.
- All the function buttons do not operate.
- Error symbol on the display.

RADIO OPERATION

SELECTING THE FREQUENCY BAND

At radio mode, press **BAND/LOUD/ENT** button shortly to select the desired band.

The reception band will change in the following order:



SELECTING STATION

Press **▶▶** button or **◀◀** button shortly to activate automatic seek function. Press for several seconds until "**MANUAL**" appears on the display, the manual tuning mode is selected. If both buttons have not been pressed for several seconds, they will return to seek tuning mode and "**AUTO**" appears on the display.

AUTOMATIC MEMORY STORING & PROGRAM SCANNING

- Automatic memory storing
Press **AS/PS (Navi-SCH)** button for several seconds to store the strongest stations that searched into the corresponding preset number button.
- Program scanning
Press **AS/PS (Navi-SCH)** button shortly to

scan preset station.

STATION STORING

Press any one of the preset buttons (1 to 6) to select a station, which had been stored in the memory. Press this button for several seconds to

store the current station into the number button.

RBDS OPERATION

In FM mode, press **TA** button, the unit will search Traffic Announcement automatically. When received a Traffic Announcement station, the unit will change to the Traffic Announcement station automatically.

Press **TA** button again will exit TA mode.

USE PTY BUTTON

Press **PTY** button will enter PTY SELECT MENU. In the menu, rotate the volume knob or use the preset buttons (1 to 6) to select the items.

Then press **◀◀/▶▶** button, the unit will search the program automatically. If there is a corresponding program searched, the unit will play the program. If there is no corresponding program, "PTY NONE" will be displayed on LCD.

When you set AREA EUR in system setting, pressing **AF** button can switch on or off RDS mode.

USB OPERATION

On the control panel of the unit, there is an USB interface. You can connect an USB driver through this interface.

When you connect an USB driver through the interface, the unit will search the MP3 files or WMA files in the USB driver and start to play MP3 files or WMA files automatically. If in other mode, you can also press **MODE** button to select USB mode.

SELECTING TRACKS

Press **◀◀** button or **▶▶** button to move to the previous track or the following track. Track number shows on display.
Hold **◀◀** button or **▶▶** button to fast reverse or fast forward. Normal play starts from when you release the button.

SELECTING DIRECTORY UP/DOWN

Press **DIR-** button or **DIR+** button to select directory downward or upward. If the MP3 files does not contain any directory, there is no function of pressing **DIR-** button or **DIR+** button.

remove the USB driver from the USB interface.

OPERATION

PAUSING PLAYING

Press **PAU** button to pause the playing. Press it again to resume play.

PREVIEWING ALL TRACKS

Press **SCN** button to play first several seconds of each track. Press again to stop intro and listen to track.

REPEATING THE SAME TRACK

Press **RPT** button to continuously repeat the same track. Press it again to stop repeat.

PLAYING ALL TRACKS IN RANDOM

Press **SHF** button to play all tracks on the USB in random order. Press again to cancel the function.

SELECTING TRACKS BY AS/PS /Navi-SCH BUTTON

Searching Track Directly

Press **AS/PS (Navi-SCH)** button for one time. The unit searches the track selected by the **VOL** knob . Then press the **SEL** button or **BAND/LOUD/ENT** button to start playing the track.

DISPLAY INFORMATION

Press **DISP** button to show the following information, such as the clock, ID3 TAG (if available: song title, directory name, artist name, other contents...) (FOR WITH MP3 ID3 FUNCTION VERSION ONLY) and other Information.

Note:

- The main unit can only support the standard USB-memory device which is approved by Microsoft.
- USB MP3 player is not a standard which means different brand name or different models have their own standard. So our product cannot support every MP3 player.
- When connecting an MP3 player and there has normal battery in the player (non rechargeable battery), you should remove the battery from the MP3 player then connect it to the USB interface. Otherwise, it may cause battery burst.
- When in USB play mode, be sure not to

MOEMORY CARD OPERATION

There is a memory card interface on the housing the unit.

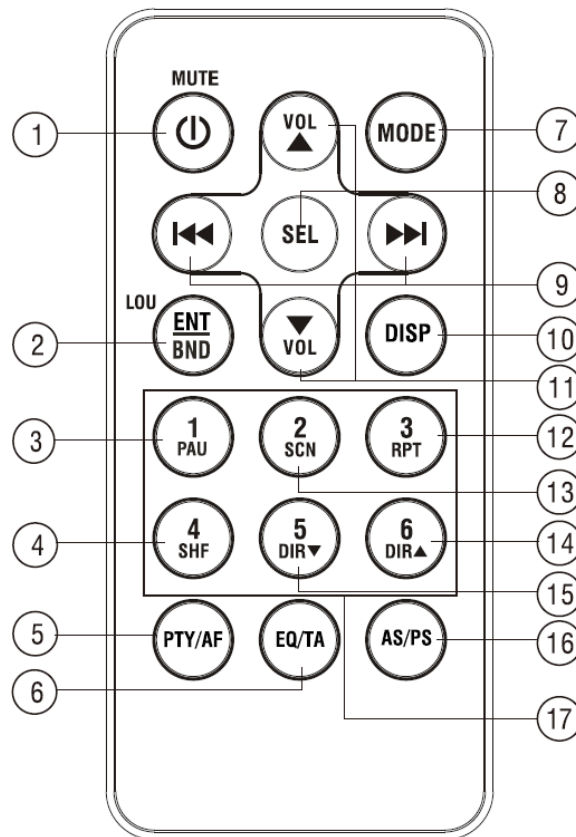
When you insert a memory card in the memory card interface, the unit will search the MP3 files or WMA files in the card and start to play MP3 files or WMA files automatically.

The operation is the same with the USB operation described above.

CAUTION

When there are important files in the USB device or memory card, do not connect it to the main unit to play. Because any wrong operation may cause files loss. And our company assumes no responsibility for this.

REMOTE CONTROL



1. MUTE: Shortly press **MUTE** to mute the sound, shortly press it again to resume the sound.
2. BND/LOU/ENT: Band Select Button (When pressed shortly)
Loudness Button (When pressed long) (Enter Button For MP3/WMA file Operation)
3. 1 PAU: Pause Button
4. 4 SHF: Shuffle Button
5. PTY/AF: Press **PTY** shortly to enter PTY select mode.
6. EQ/TA: Shortly press **EQ** to turn on equalization function and to select desired audio mode
Press and hold **TA** to switch TA mode on or off.
7. MODE: Mode Button
8. SEL: Sound Mode Select Button
9. ◀▶: Shortly press ◀▶ to play the previous/next track. Press and hold ◀▶ to fast reverse / forward. In radio mode, press ◀▶ to tune down or up.
10. DISP: Display Button
11. VOL ▲: Volume Up Button ; VOL ▼: Volume Down Button
12. 3 RPT: Repeat Button
13. 2 SCN: Scanning Button
14. 6 DIR ▲: Directory Up Button
15. 5 DIR ▼: Directory Down Button
16. AS/PS: Automatic Memory Storing & Program Scanning Button (Press to select the track directly in MP3/WMA file Operation)
17. 1-6: Preset Buttons

SPECIFICATION

GENERAL

| | |
|---------------------------|--------------------------------|
| Power Supply Requirements | : DC 12 Volts, Negative Ground |
| Tone Controls | |
| - Bass (at 100 Hz) | : ± 10 dB |
| - Treble (at 10 kHz) | : ± 10 dB |
| Maximum Output Power | : 4X40watts |
| Current Drain | : 15Ampere (max.) |

USB/SD/MMC PLAYER

| | |
|-----------------------|-------------------|
| Signal to Noise Ratio | : More than 55 dB |
| Channel Separation | : More than 50 dB |
| Frequency Response | : 20Hz – 18 kHz |

RADIO

For 2 Bands FM

| | |
|--------------------|--|
| Frequency Coverage | 87.5 to 108 MHz(Europe) 87.5 to 107.9MHz(USA) |
|--------------------|--|

| | |
|------------------------|------------|
| IF | 10.7 MHz |
| Sensitivity (S/N=30dB) | 10dB μ |
| Stereo Separation | >25dB |

MW

| | |
|--------------------|---|
| Frequency Coverage | 522 to 1620 kHz(Europe) 530 to 1710 kHz(USA) |
|--------------------|---|

| | |
|------------------------|---------|
| IF | 450 kHz |
| Sensitivity (S/N=20dB) | 32 dBu |

Remarks:

Specifications subject to change without notice.

TROUBLE SHOOTING

Before going through the checklist, check wiring connection. If any of the problems persist after checklist has been made, consult your nearest service dealer.

| Symptom | Cause | Solution |
|---|--|---|
| No power. | The car ignition switch is not on. | If the power supply is connected to the car accessory circuits, but the engine is not moving, switch the ignition key to "ACC". |
| | The fuse is blown. | Replace the fuse. |
| No sound. | Volume is in minimum | Adjust volume to a desired level. |
| | Wiring is not properly connected. | Check wiring connection. |
| The operation keys do not work. | The built-in microcomputer is not operating properly due to noise. | Press the RESET button. Control panel is not properly fixed into its place. |
| The radio does not Work. The radio station automatic selection does not work. | The antenna cable is not connected. | Insert the antenna cable firmly. |
| | The signals are too weak. | Select a station manually. |