

PLSMRW84WT - PLSMRW84BK

8" Slim Waterproof Subwoofer

300 Watts at Dual 4-Ohm Car Audio Powered Subwoofer, PP Cone with Rubber Edge

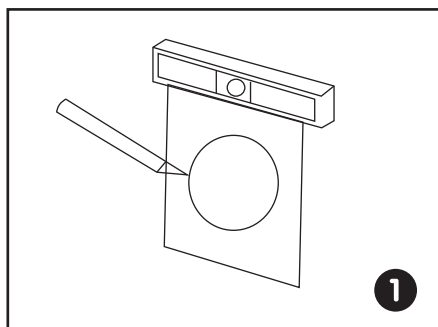
PYLE
PyleUSA.com

USER GUIDE

Features:

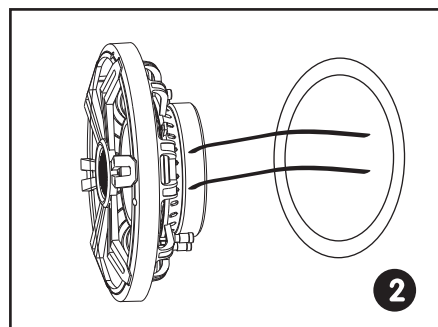
- 8" Slim Waterproof Subwoofer
- Completely Waterproof
- For Marine or Car Use
- PP Cone with Rubber Edge
- High-Powered Car Subwoofer
- Lab Tested Pro Audio Woofer Performance
- Massive Butyl Rubber Surround
- High Strength Engineering Plastic Basket
- Quick Connect Speaker Terminal
- Compatible with Sealed Enclosure Speaker Box Audio Setup
- Impressive Bass Response, Low-Resonance Frequency Output
- Designed for Custom Audio Car, Truck, Mobile Vehicle Applications

Installation Guide

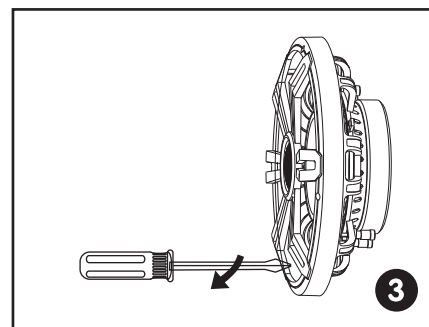


Cut the drywall.

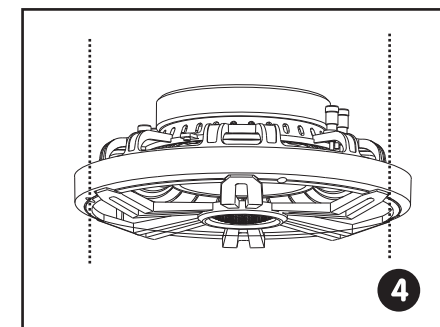
Note: Always allow at least one-half inch between a wall stud and the speaker cutout or the locking tabs will not be able to swivel into place.



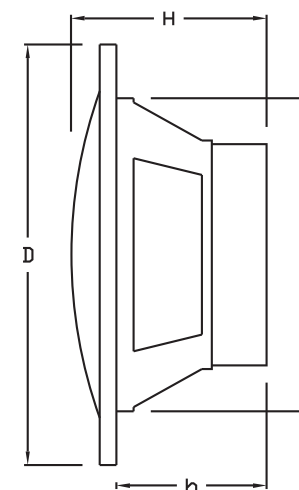
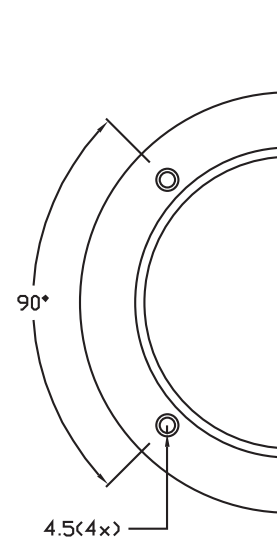
Connect the speaker wires to the speaker.



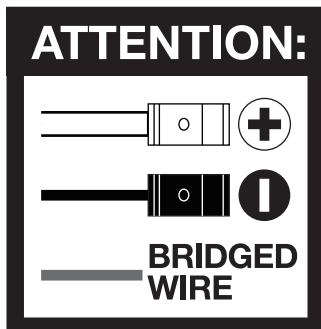
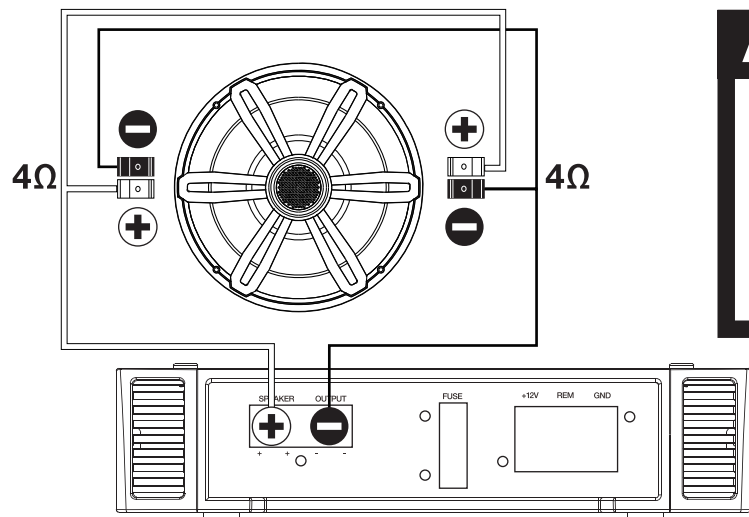
Screw down each of the four Phillips head screws. The locking tabs will swivel into place and secure the unit to the rear surface of the drywall. Put in the strips of adhesive to secure the grille.



Replace the metal grille.



Connection Diagram



What's in the Box:

- 8" Slim Waterproof Subwoofer

Technical Specs:

- Construction Materials: Engineered ABS
- Power Handling: 300 Watts MAX 150 Watts RMS
- Impedance: Dual 4 Ohms
- Voice Coil: 1.5" -in
- Voice Coil Type: High-Temp Aluminum
- Magnet Size: 30 Oz
- Magnet Type: Barium Ferrite Magnet
- Frequency Response: 40Hz-300Hz
- Sensitivity: 91 dB (1w/1m)
- Product Dimensions: 8.5 " x 7.4" x 2.5" -inches



Questions? Issues?
We are here to help!
Phone: (1) 718-535-1800
Email: support@pyleusa.com