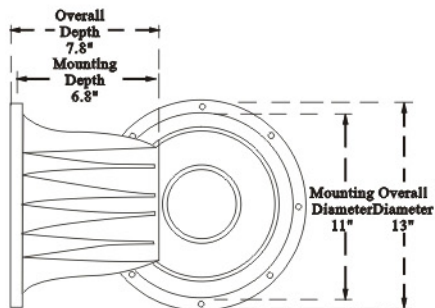


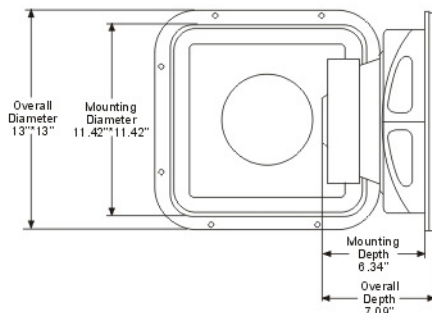
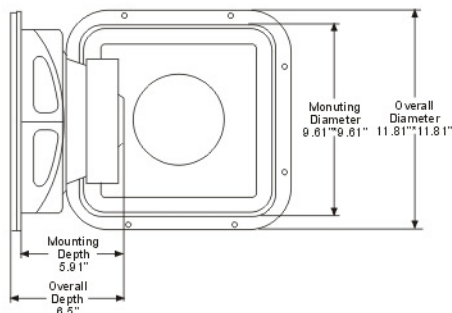
RED LABEL



PLW12DREN

PLSQ10D

PLSQ12D



Specification	PLSQ10D	PLSQ12D	PLW12DREN
Steel Frame	BLACK	BLACK	RED
Cone	SILVER P.P	SILVER P.P	RED. PP
Surround	Wide Rubber	Wide Rubber	Foam
Power (Watts Peak)	1200	1400	2000
Nom. Impedance (Ohm)	4	4	4
Voice Coil	2.5" KSV	3" KSV	2.5" KSV
Magnet Structure	70+70 oz	70+70 oz	80+80 oz
Fs (Hz)	35	26	28
Qms	5.72	5.81	5.6
Qes	0.83	0.90	0.78
Qts	0.73	0.7	0.75
SPL (dB)	88	90	91
Vas (cuft)	1.932	4.146	3.678

Pyle- Red Label - Series continually strives to improve the performance and value of its products- all specifications are subject to change.