

# PLTAB101 - PLTAB122

## Slim Subwoofer Box System with Rear Vented Design

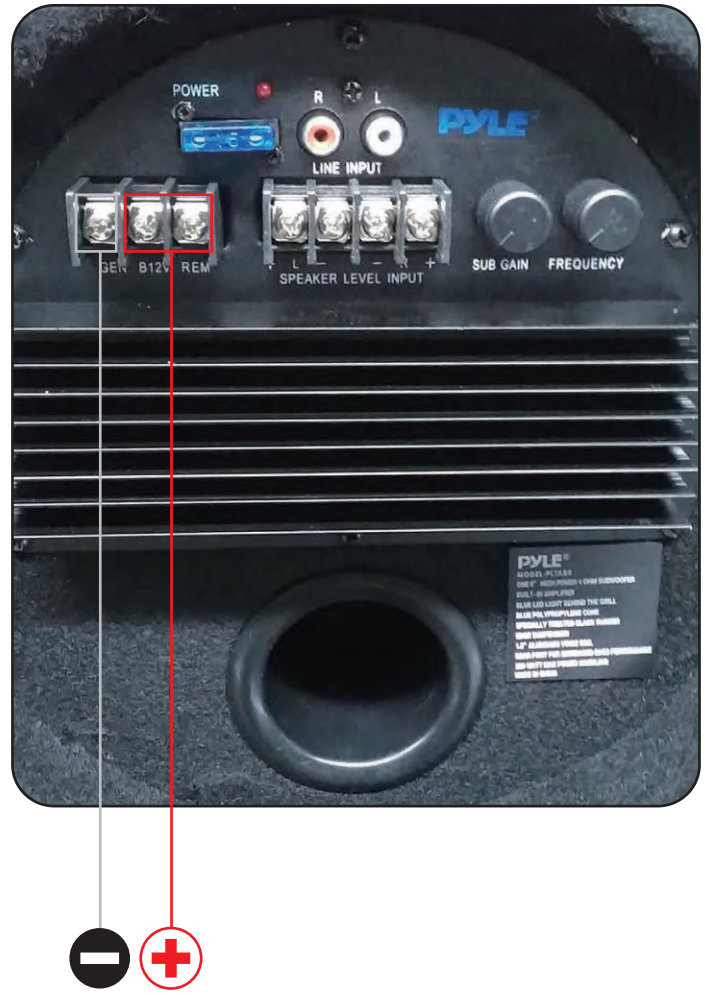
**PYLE**  
PyleUSA.com

### USER GUIDE

#### WIRING CONNECTION

Power amplifier for schematic diagram.

- Positive pole: Connect +12V and Rem. in parallel
- Negative pole: connect to GND



#### Features:

- Silver Paper Cone with Rubber Surround
- Class-D Powered Enclosure Amplifier
- with Built-in Illuminating LED Lights
- Rear Vented Design
- Subwoofer Box System
- One High Power 4 Ohm Subwoofer
- Specially Treated Black Rubber Edge Suspension
- 2" Aluminum Voice Coil
- Bass Reflex Vent for Added Sub-Bass Response
- High-Quality Carpeted Construction

#### What's in the Box:

- Subwoofer Box

**Questions? Issues?**  
We are here to help!  
Phone: (1) 718-535-1800  
Email: [support@pyleusa.com](mailto:support@pyleusa.com)

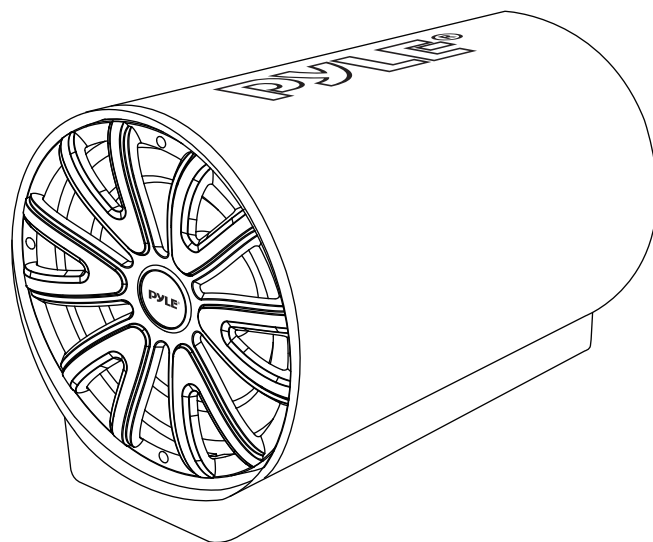
## **PLTAB101**

### **10" 500-Watt Carpeted Subwoofer Tube Enclosure System**

with Rear Vented Design

#### **Technical Specs:**

- Construction Materials: 15mm Particleboard
- Power Rating: 500 Watts Max Power
- Voice Coil: 2.0"
- Impedance: 4 Ohms
- Magnet: 40 Oz
- Sensitivity: 90 dB
- Frequency Response: 35-300 Hz
- Product Dimensions (L x W x H): 11.4" x 21.6" x 12.0" -inches



## **PLTAB122**

### **12" 600-Watt Carpeted Subwoofer Tube Enclosure System**

with Rear Vented Design

#### **Technical Specs:**

- Construction Materials: 15mm Particleboard
- Power Rating: 600 Watts Max Power
- Voice Coil: 2.0"
- Impedance: 4 Ohms
- Magnet: 50 Oz
- Sensitivity: 91 dB
- Frequency Response: 25-200 Hz
- Product Dimensions (L x W x H): 13.2" x 21.6" x 14.0" -inches



#### **California Prop 65 Warning**

##### **⚠️ WARNING:**

This product contains Nickel carbonate which is known to the state of California to cause cancer birth defects and other reproductive harm. Do not ingest.

For more info go to: [www.P65warnings.ca.gov](http://www.P65warnings.ca.gov)