

PLTAB101 - PLTAB122

Slim Subwoofer Box System with Rear Vented Design

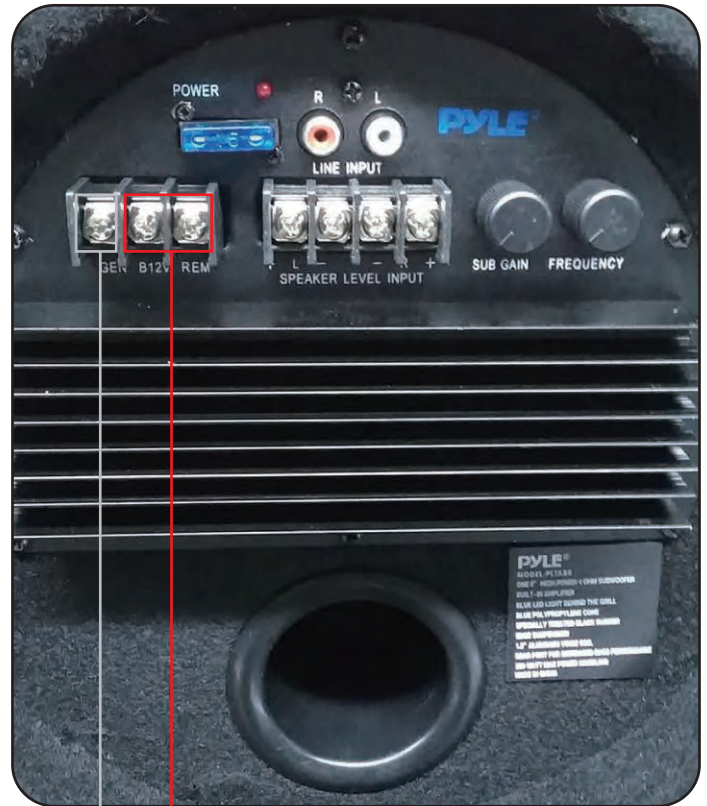
PYLE
PyleUSA.com

USER GUIDE

WIRING CONNECTION

Power amplifier for schematic diagram.

- Positive pole: Connect +12V and Rem. in parallel
- Negative pole: connect to GND



Features:

- Silver Paper Cone with Rubber Surround
- Class-D Powered Enclosure Amplifier
- with Built-in Illuminating LED Lights
- Rear Vented Design
- Subwoofer Box System
- One High Power 4 Ohm Subwoofer
- Specially Treated Black Rubber Edge Suspension
- 2" Aluminum Voice Coil
- Bass Reflex Vent for Added Sub-Bass Response
- High-Quality Carpeted Construction

What's in the Box:

- Subwoofer Box

Questions? Issues?
We are here to help!
Phone: (1) 718-535-1800
Email: support@pyleusa.com

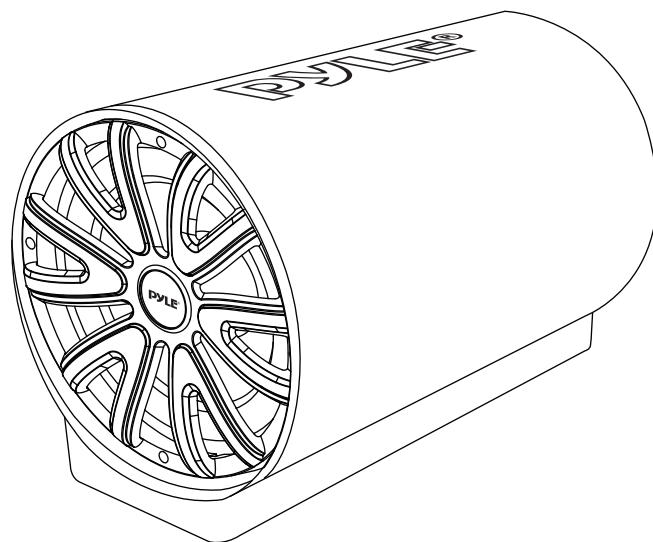
PLTAB101

10" 500-Watt Carpeted Subwoofer Tube Enclosure System

with Rear Vented Design

Technical Specs:

- Construction Materials: 15mm Particleboard
- Power Rating: 500 Watts Max Power
- Voice Coil: 2.0"
- Impedance: 4 Ohms
- Magnet: 40 Oz
- Sensitivity: 90 dB
- Frequency Response: 35-300 Hz
- Product Dimensions (L x W x H): 11.4" x 21.6" x 12.0" -inches



PLTAB122

12" 600-Watt Carpeted Subwoofer Tube Enclosure System

with Rear Vented Design

Technical Specs:

- Construction Materials: 15mm Particleboard
- Power Rating: 600 Watts Max Power
- Voice Coil: 2.0"
- Impedance: 4 Ohms
- Magnet: 50 Oz
- Sensitivity: 91 dB
- Frequency Response: 25-200 Hz
- Product Dimensions (L x W x H): 13.2" x 21.6" x 14.0" -inches



California Prop 65 Warning

⚠️ WARNING:

This product contains Nickel carbonate which is known to the state of California to cause cancer birth defects and other reproductive harm. Do not ingest.

For more info go to: www.P65warnings.ca.gov