

# PLTB101 - PLTB121

## Subwoofer Box System

Carpeted Subwoofer Tube Enclosure System  
with Rear Vented Design

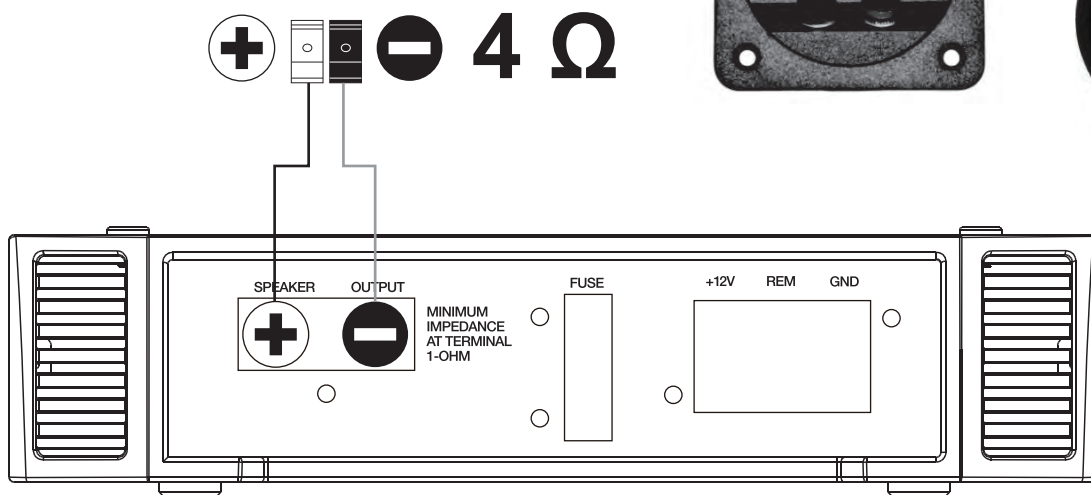
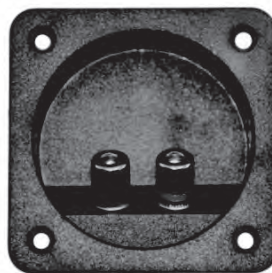
**PYLE**  
PyleUSA.com

### USER GUIDE

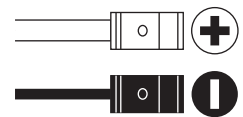
#### WIRING CONNECTION

Power amplifier for schematic diagram.

Connect the power amplifier to the positive and negative terminals accordingly as shown.



#### ATTENTION:



#### Features:

- Subwoofer Box System
- Rear Vented Design
- Silver Paper Cone with Rubber Surround
- High Power 4 Ohm Subwoofer
- Specially Treated Black Rubber Edge Suspension
- 2" Aluminum Voice Coil
- Bass Reflex Vent for Added Sub-Bass Response
- High-Quality Carpeted Construction

#### What's in the Box:

- Subwoofer Box

#### Questions? Issues?

We are here to help!

Phone: (1) 718-535-1800

Email: [support@pyleusa.com](mailto:support@pyleusa.com)

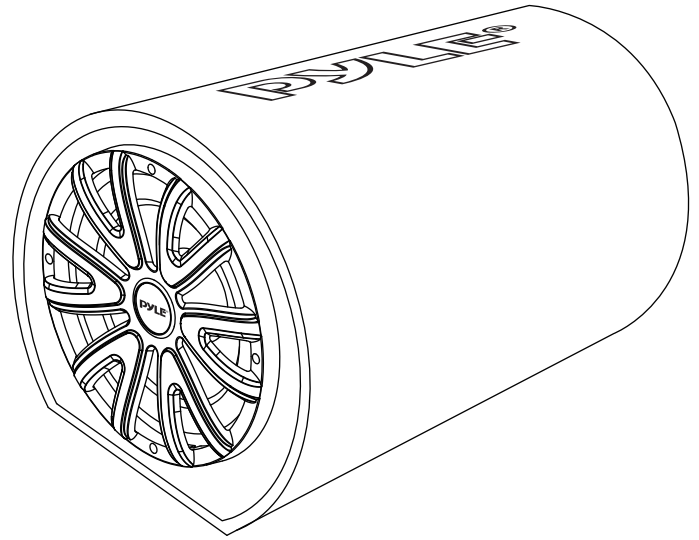
## **PLTB101**

### **10" 500-Watt Carpeted Subwoofer Tube Enclosure System**

with Rear Vented Design

#### **Technical Specs:**

- Construction Materials: 15mm Particleboard
- Power Rating: 500 Watts Max Power
- Voice Coil: 2.0"
- Impedance: 4 Ohms
- Magnet: 40 Oz
- Sensitivity: 90 dB
- Frequency Response: 35-300 Hz
- Product Dimensions (L x W x H): 18.9" x 13.4" x 12.2" -inches



## **PLTB121**

### **12" 500-Watt Carpeted Subwoofer Tube Enclosure System**

with Rear Vented Design

#### **Technical Specs:**

- Construction Materials: 15mm Particleboard
- Power Rating: 600 Watts Max Power
- Voice Coil: 2.0"
- Impedance: 4 Ohms
- Magnet: 50 Oz
- Sensitivity: 91 dB
- Frequency Response: 25-200 Hz
- Product Dimensions (L x W x H): 18.9" x 16.4" x 15.2" -inches



#### **California Prop 65 Warning**

##### **⚠️ WARNING:**

This product contains Nickel carbonate which is known to the state of California to cause cancer birth defects and other reproductive harm. Do not ingest.

For more info go to: [www.P65warnings.ca.gov](http://www.P65warnings.ca.gov)