

# PYLE

PyleUSA.com



## *PowerSports*

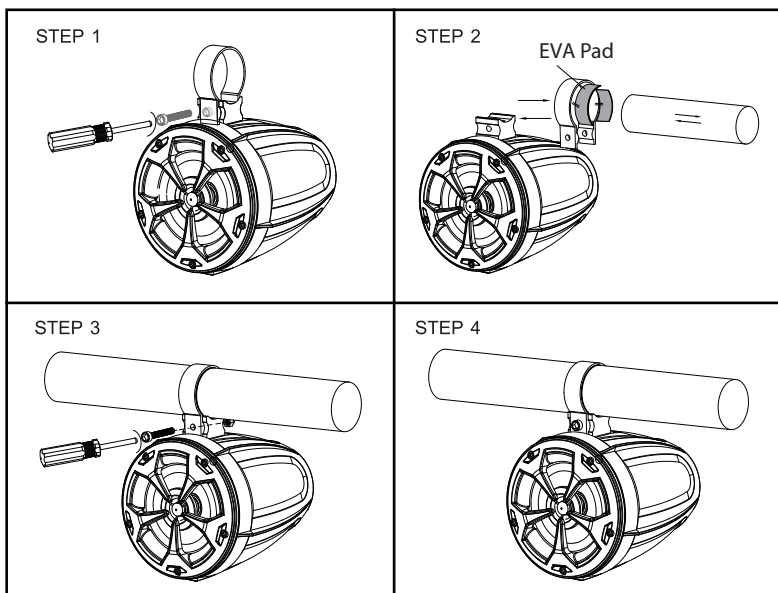
### *PLUTV46BTA*

4" Waterproof Rated Off-Road Speakers  
with Amplified Wireless BT Remote Control Receiver  
Compact Dual Vehicle Speaker System for ATV,  
UTV, 4x4, Jeep, PowerSports Vehicles

## USER MANUAL

## PLUTV46BTA Installation

Speaker Mounting suggestion as below:



### Auto Reconnection:

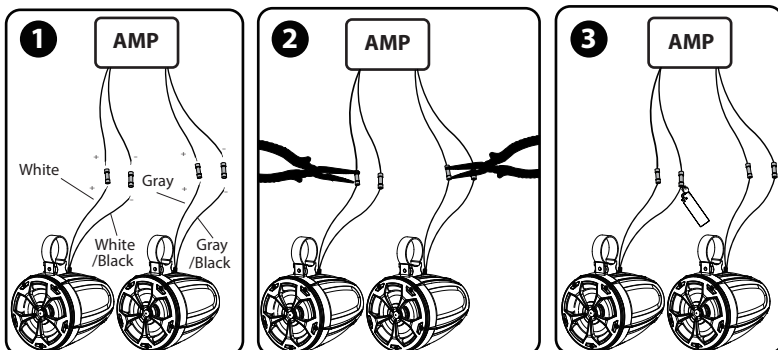
**Step 1:** Unbolting the mounting bracket.

**Step 2:** Slide in the buckle with rubber pad attached to the bracket stand of the speaker.

Attach the set to the handle bar of vehicle/ship.

**Step 3/4:** Attach screw to lock the buckle.

**Step 5:** Use Butt Connector accessories to Connect Speaker wires (See Illustration 1,2,3).



## ***BT Pairing and Connection***

### **Power:**

1. Press and hold the power button to power **ON/OFF**.

### **Wireless BT Streaming Connection:**

- a. Ensure BT ability is activated, then search for the **PLUTV46BTA** from your BT-enabled device. The light will turn blue and blinks while waiting for BT connection.
- b. The PLUTV46BTA BT Network Name will appear as "**PyleUSA**" (No password is required for connecting).
- c. When the BT is connected, the light will turn blue and stops blinking.

### **AUX-IN:**

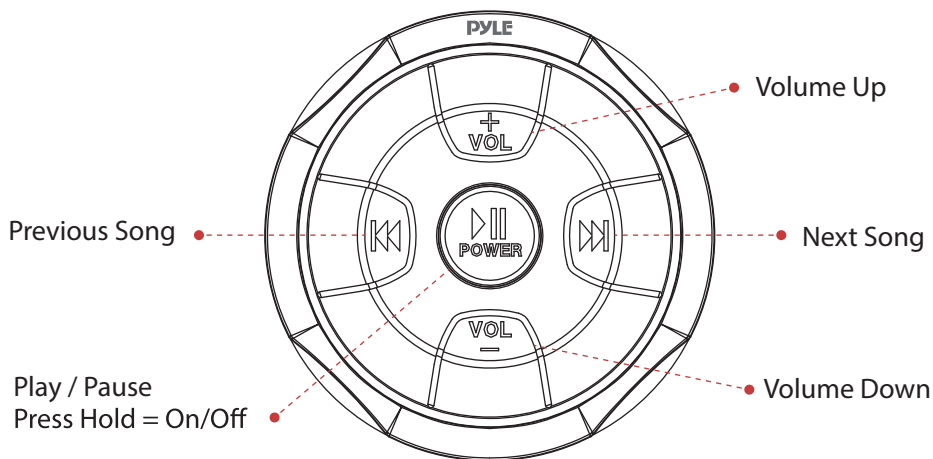
- a. Double click power button to switch BT mode to Aux-in mode.

### **Auto Reconnection:**

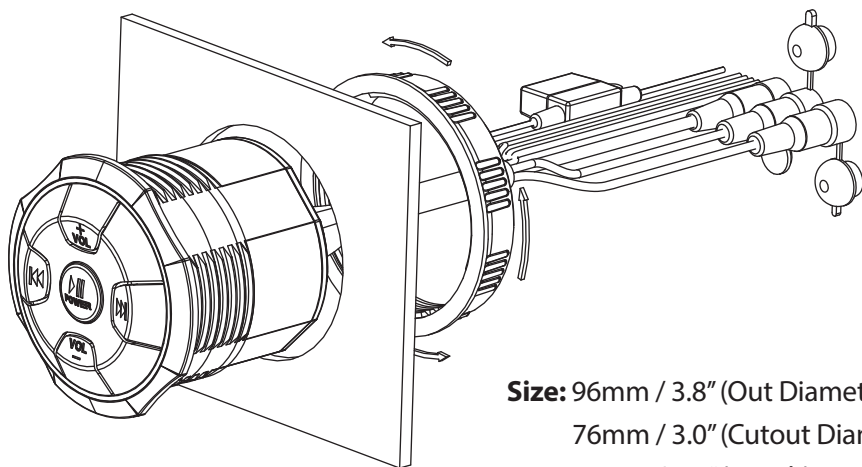
- a. When the device is out of the BT range, BT will be disconnected automatically, the light turns blue while blinking.
- b. BT will automatically reconnect when detected in range again in 10 minutes.
- c. Disconnected BT after 10 minutes, you need to process BT connection steps (above) to reconnect BT again.
- d. If the other device occupied the BT during this period (10mins), you need to process BT connection steps (above).
- e. If there is no connection during this period (10mins), it will turn to standby mode.

## Playing Music

1. Press and hold **▶||** 3 seconds for **Power ON** or **OFF**
2. Short press **▶||** to play music or pause
3. Double click power button to switch BT mode to Aux-in mode
4. Short press **▶▶** for next track
5. Short press **◀◀** for previous track
6. Press and hold **VOL+** for volume up
7. Press and hold **VOL-** for volume down

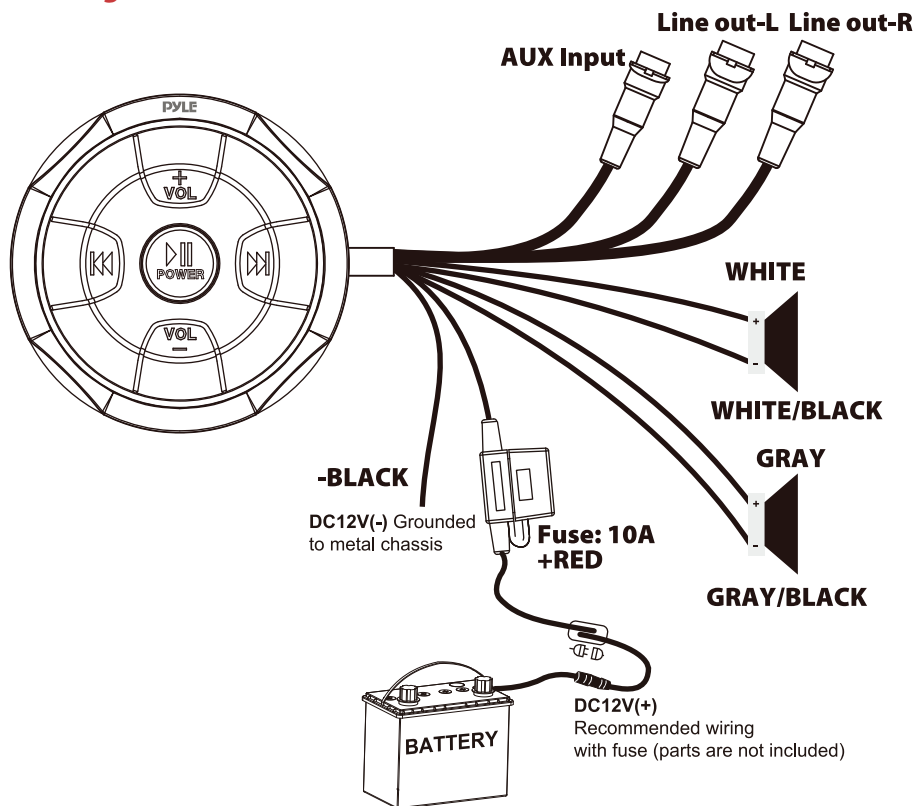


## Installation (Seamless Flush Mount)



**Size:** 96mm / 3.8" (Out Diameter)  
76mm / 3.0" (Cutout Diameter)  
93mm / 3.7" (Depth)

## Wire Diagram



Wire Color	Description
Red	Battery (+), 12dc
Black	Battery (-), Ground
White	Output L (+)
White/Black	Output L (-)
Gray	Output R (+)
Gray/Black	Output R (-)

## **System Features:**

- Waterproof Rated Speakers + Wireless BT Controller System Kit
- Universal Mount System for Convenient Audio Control
- Wireless BT Music Streaming Ability
- Waterproof-Rated Marine Grade Construction
- Water-Resistant, Weatherproof Design
- Compact & High-Powered System Output
- Used For Cars, Trucks, ATV's, UTV's, 4x4's, Boats, Marine Watercrafts, & PowerSport Vehicles

## **What's in the Box:**

- (2) 4"-inch Marine Speakers
- Amplified Wireless BT Streaming Control Unit
- (2) 2 Meters Speaker Wire
- Audio Connection Cable, 3.5mm
- (2) 5.91" x 0.75" x 0.24" -inches Rubber Pads
- (2) 6.5" x 0.75" x 0.08" -inches Rubber Pads
- (4) Butt Connector (Red Color For A.W.G 16-22)

## **Wireless BT Control Unit:**

- Built-in Wireless BT Audio Receiver
- 2-Channel Amplifier Style
- Works with All of Today's Latest Devices
- Smartphones, Tablets, Laptops, Computers, etc.
- Connect & Stream Audio from Additional External Devices
- Aux (3.5mm) Input
- Full Range Stereo Sound Reproduction
- Integrated Power Wiring Harness
- Pre-Amp RCA Out to Any OEM/Factory-Made Mono-Block/  
Full-Range Amplifier
- Flush Mount Mounting Kits Included
- Universal Vehicle Mounting
- Can be In-Console Flush Mounted
- Anti-Thump Turn-on
- Soft Turn On/Off Option
- Overload & Power Protection Circuitry

### **Wireless BT Control Unit Technical Specs:**

- Power Output: 800 Watt MAX
- 2x200 Watts RMS @ 4 Ohm
- 2x400 Watts MAX @ 4 Ohm
- Wireless BT Version: 5.0
- Wireless BT Network Name: 'PYLEUSA'
- Wireless Range: 30'+ ft.
- Amplifier Type: Class D
- Marine Grade IP65 Rating
- T.H.D: 0.1%
- S/N Ratio: > 95 dB
- Channel Separation: > 65 dB
- Frequency Response: 10 - 40 kHz
- Fuse: 10A
- Power: DC 12V
- Unit Dimensions (Diameter x Depth): 3.8" x 4.17" - inches

### **Marine Speakers:**

- Pro Audio PowerSport Speakers
- Sound System: (2) x 4" Woofers + (2) x 0.5" Tweeters
- 2-Way Full Range Stereo Sound Reproduction
- Quick-Connect Spring-Loaded Speaker Terminals
- Impressive Bass Response
- Sleek Design, Machine Molded Speaker Cabinet Housing
- Rugged, Universal Mount Bracket Design for Roll-Bar/Roll-Cage

### **Marine Technical Specs:**

- Power Output: 800 Watt MAX
- Marine Grade Waterproof Rating: IP-X5
- Speaker Style: Passive Speakers
- Speaker Type: Polypropylene Cone, Butyl Rubber Surround (x2)
- Tweeter Type: Neodymium Dome (x2)
- Frequency Response: 85Hz-20kHz
- Impedance: 4 Ohm
- Magnet Type: 20 oz. Circuit
- Mid-Woofer Voice Coil Type: 1.0", Aluminum
- Sensitivity: 90 dB +/- 2 dB @ 1M/1W
- Universal Mounting Brackets Roll-Bar/Roll-Cage Diameter: 1.25" ~ 2.0" -inches
- Power Supply: DC 12V
- Speaker Size (Front Diameter x Length): 5.6" x 7.3" -inches (Each)

# PYLE

PyleUSA.com



**VISIT US ONLINE:**

*Have a question?*

*Need service or repair?*

*Want to leave a comment?*

[PyleUSA.com/ContactUs](http://PyleUSA.com/ContactUs)

PYLE

## ***Questions? Issues?***

We are here to help!

Phone: (1) 718-535-1800

Email: [support@pyleusa.com](mailto:support@pyleusa.com)