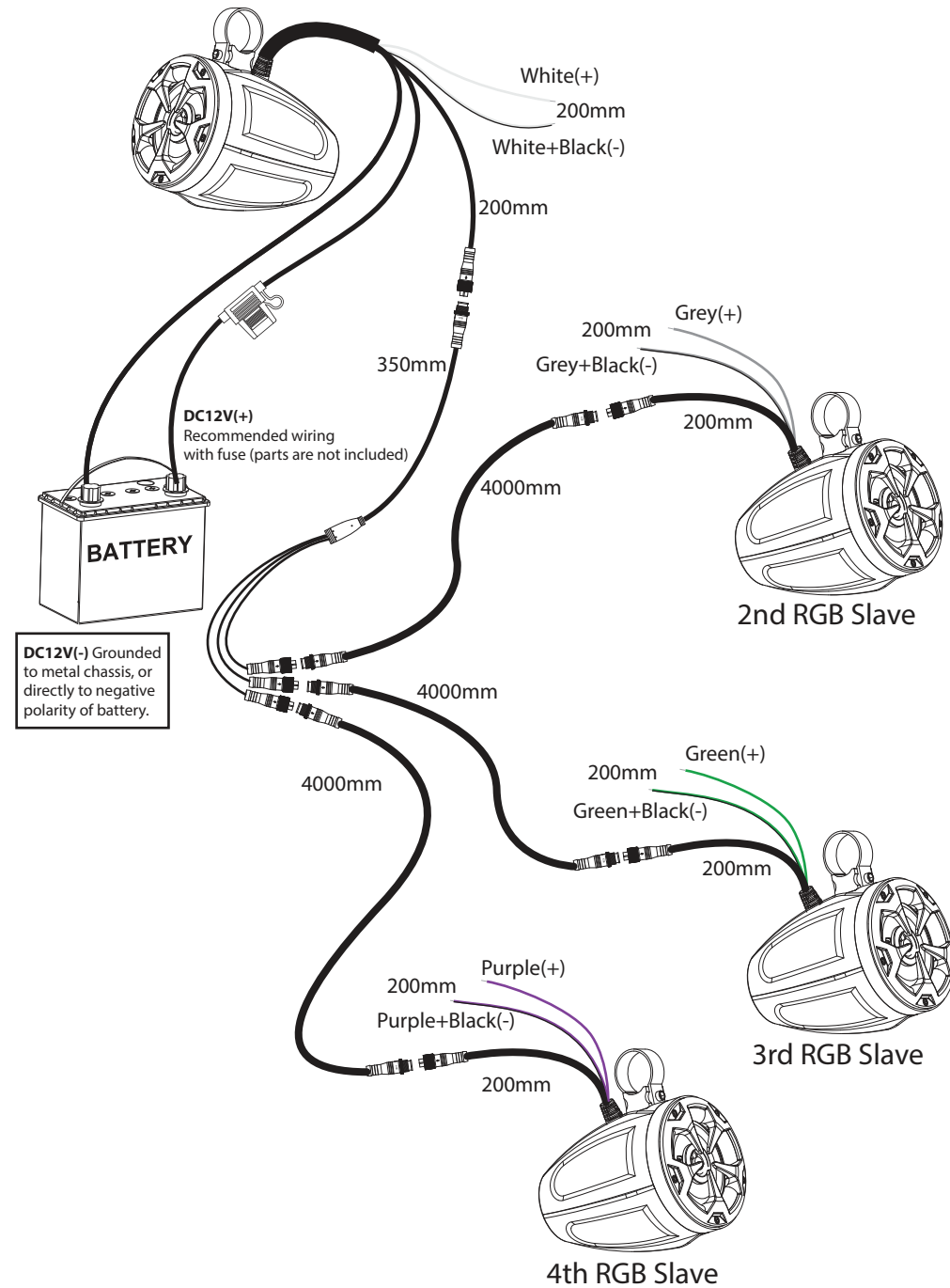


PLUTV47R WIRE DIAGRAM



PYLE
PyleUSA.com



VISIT US ONLINE:
Have a question?
Need service or repair?
Want to leave a comment?
PyleUSA.com/ContactUs



Questions? Issues?
We are here to help!
Phone: (1) 718-535-1800
Email: support@pyleusa.com

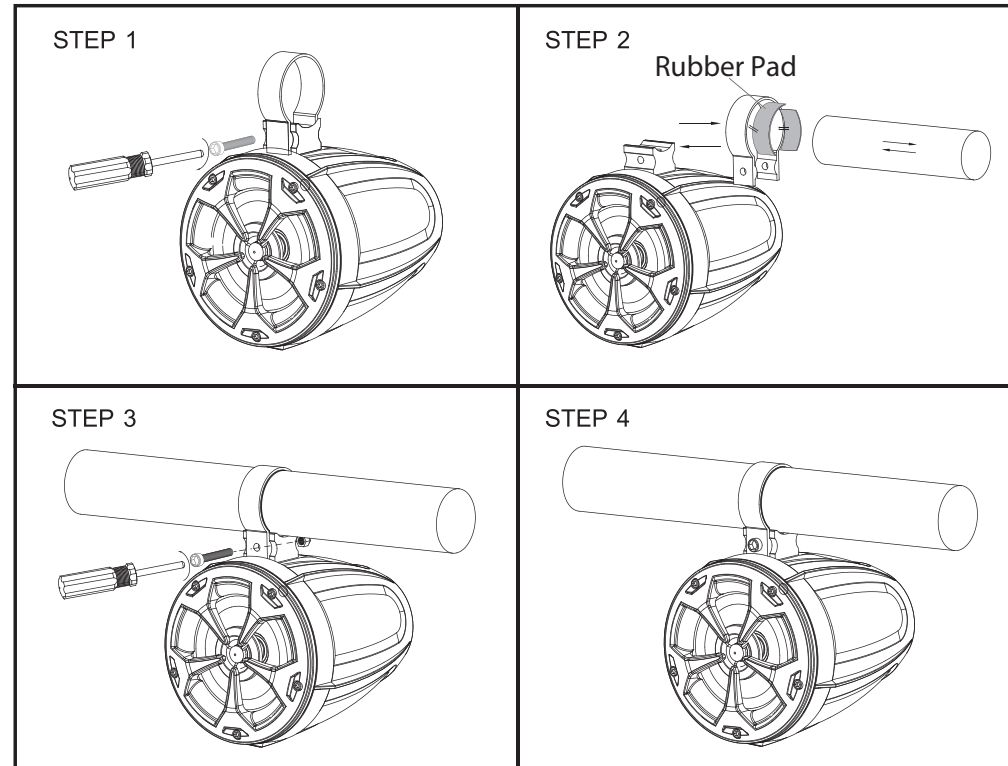


PLUTV47R
4" Waterproof Rated Off-Road Speakers
800 Watt Compact PowerSport Vehicle Speaker System
for ATV, UTV, 4x4, Jeep with RGB Lights
and Remote Control (2 Pair)

USER GUIDE

PLUTV47R Speaker Installation

Speaker Mounting suggestion as below:



Step 1: Unbolting the mounting bracket.

Step 2: Slide in the buckle with rubber pad attached to the bracket stand of the speaker. Attach the set to the handle bar of vehicle/ship.

Step 3/4: Attach screw to lock the buckle.

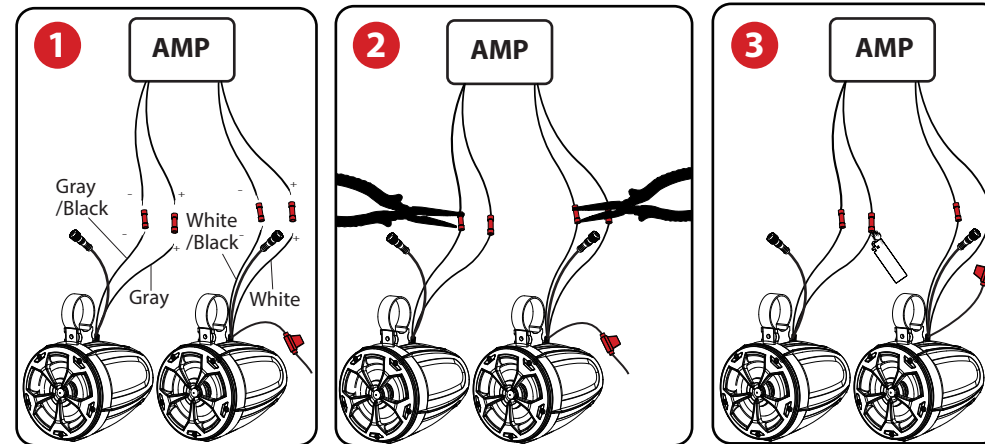
Step 5: Using accessories of Butt Connector to Connect Speaker wires
(See Illustration 1, 2, 3)

California Prop 65 Warning

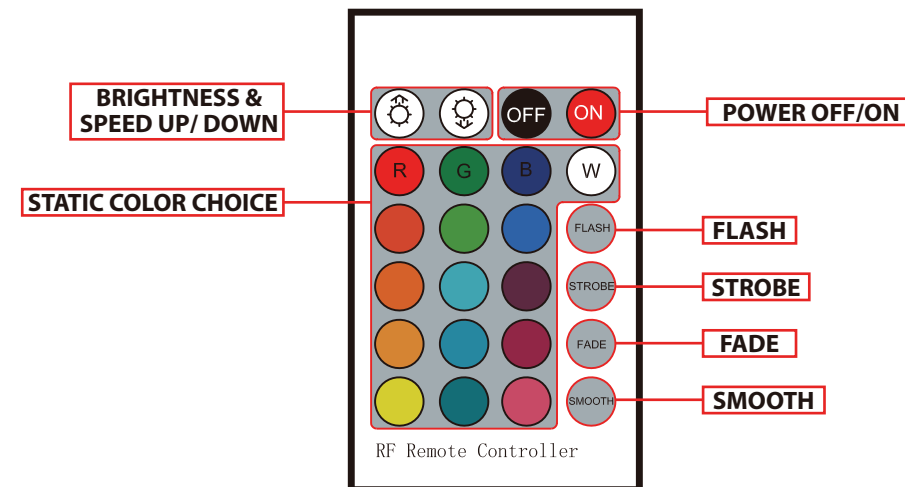
⚠️ WARNING:

This product contains Di (2-ethylhexyl) phthalate (DEHP) which is known to the state of California to cause cancer birth defects and other reproductive harm. Do not ingest.

For more info go to: www.P65warnings.ca.gov



Remote Control Functions



- 16 static colors for choice with 8 kind of brightness which can adjust up and down.
- 3 colors flash, 4 colors strobe, 7 colors fade, 7 colors smooth, all modes can adjust the brightness and speed.
- In static color mode, the brightness can adjust up and down.

Features:

- Pro Audio Power Sports Speakers with RGB Lights
- Compact & High-Powered Output
- Marine Grade Waterproof Rated Construction
- Weatherproof & Water-Resistant Housing
- Sound System: (4) x 4.0" Woofers + (4) x 0.5" Tweeters
- 2-Way Full Range Stereo Sound Reproduction
- Impressive Bass Response
- Integrated Speaker Power & Wiring Harness
- Sleek Design, Machine Molded Speaker Cabinet Housing
- Rugged, Universal Mount Bracket Design for Roll-Bar / Roll-Cage
- Used for Off-Road Outdoor Vehicles: ATV, UTV, 4x4, Jeeps, Marine Watercraft

What's in the Box:

- (4) 4" -inch Off-Road Speakers
- (4) Speaker Connection Wires, 6.6' ft.
- (8) Wire Butt Connectors, 16-22 AWG
- (4) 5.9" x 0.7" x 0.2" -inches Rubber Pads
- (4) 6.5" x 0.7" x 0.08" -inches Rubber Pads
- (1) RGB Connection Wire, 6.6' ft.
- (3) RGB Connection Wire, 13.2' ft.
- (1) RGB Connection Wire, 1.15' ft.
- Remote Control

Technical Specs:

- Power Output: 800 Watt MAX
- Marine Grade Waterproof Rating: IP-X5
- Speaker Size: 4" -inch (Each)
- Speaker Style: Passive Speakers
- Speaker Type: Polypropylene Cone, Butyl Rubber Surround (x4)
- Tweeter Type: Neodymium Dome (x4)
- Frequency Response: 144Hz-20kHz
- Impedance: 4 Ohm
- Magnet Type: 20 oz. Circuit
- Mid-Woofer Voice Coil Type: 1.0", Aluminum
- Sensitivity: 90 dB +/- 2 dB @ 1M/1W
- Universal Mounting Brackets Roll-Bar / Roll-Cage Diameter: 1.25" ~ 2.0" -inches
- Remote Control Battery Operated, Requires (1) x CR2025 Batteries (Included)
- Battery Type: 3.2V Lithium-ion 150mAh (Not Rechargeable)
- Speaker Dimensions: 5.6" x 8.4" x 7.3" -inches, with Bracket (-Each)