

PowerSports

PYLE
PyleUSA.com



PLUTV48KBTR

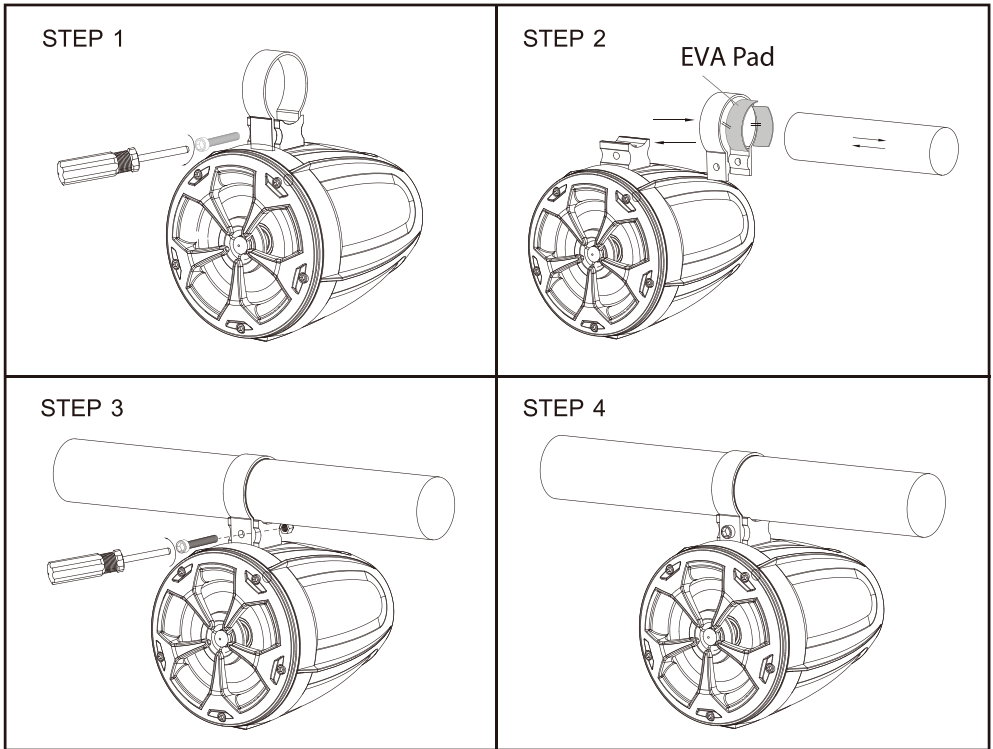
4" Waterproof Rated Off-Road RGB Speakers

Compact Dual Vehicle Speaker System
w/ Amplified Wireless BT Remote Control Receiver,
for ATV, UTV, 4x4, Jeep, Powersports Vehicles

USER MANUAL

PLUTV48KBTR Installation

Speaker Mounting suggestion as below:



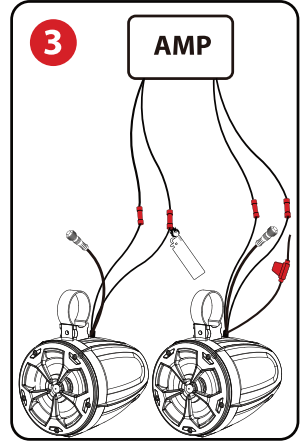
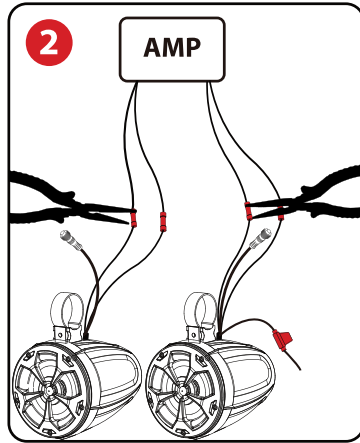
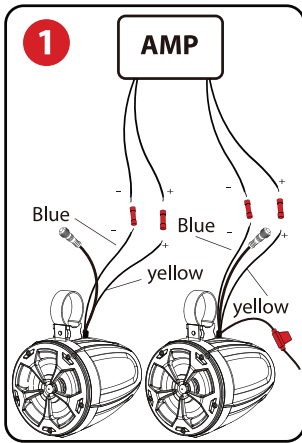
Auto Reconnection:

Step 1: Unbolting the mounting bracket.

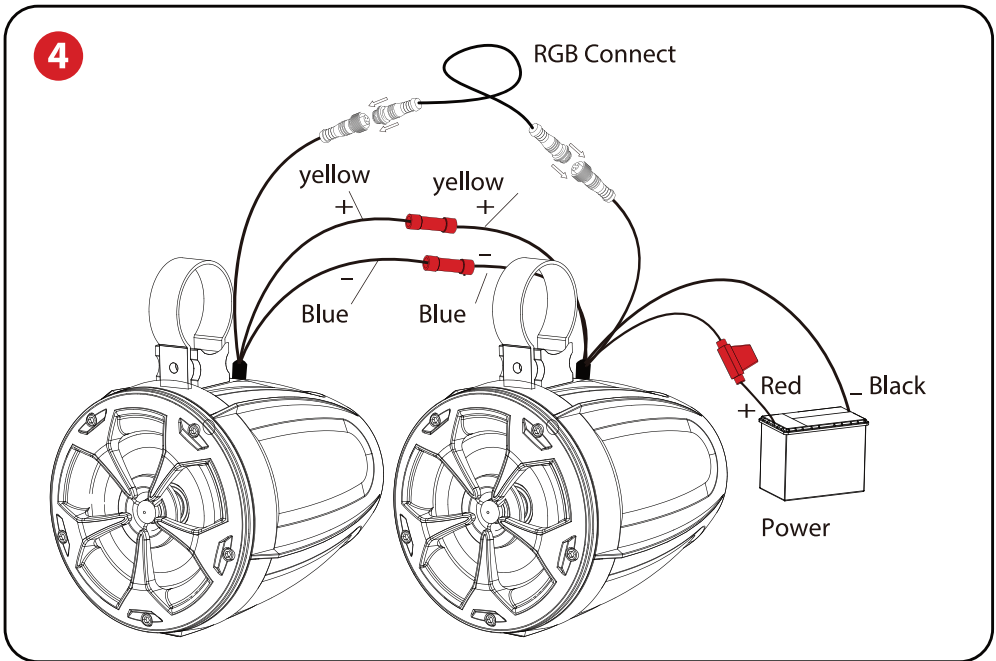
Step 2: Slide in the buckle with rubber pad attached to the bracket stand of the speaker. Attach the set to the handle bar of vehicle/ship.

Step 3/4: Attach screw to lock the buckle.

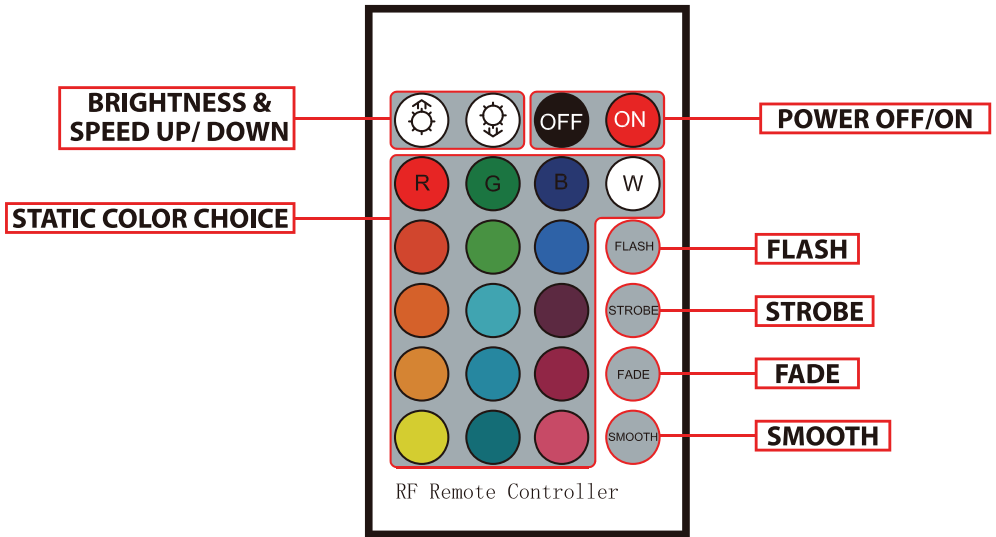
Step 5: Use Butt Connector accessories to Connect Speaker wires
(See Illustration 1, 2, 3).



Step 6: Connected two speakers by RGB connect wire, see the drawing in below
(See Illustration 4)



REMOTE CONTROL FUNCTIONS



- 16 static colors to choose with 8 types of brightness which you can adjust up and down.
- 3 colors flash, 4 colors strobe, 7 colors fade, 7 colors smooth, you can adjust the brightness and speed of all modes.
- Adjust the brightness up and down in static color mode.

BT PAIRING AND CONNECTION

Power: Press and hold the power button to power ON/OFF.

Wireless BT Streaming Connection:

- Ensure BT ability is activated, then search for the PLUTV48KBTR from your BT-enabled device. The light will turn blue and blinks while waiting for BT connection.
- The PLUTV48KBTR BT Network Name will appear as "PyleUSA" (No password is required for connecting).
- When the BT is connected, the light will turn blue and stops blinking.

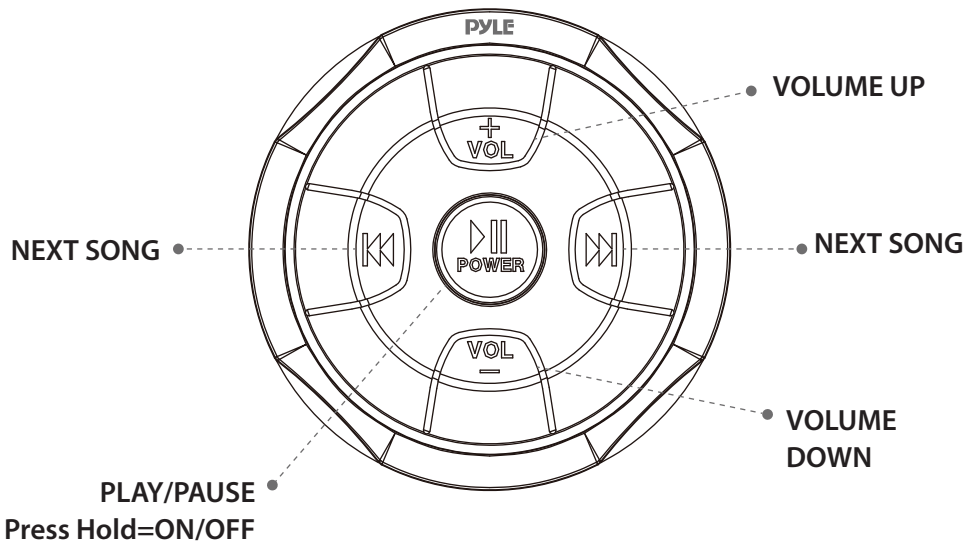
AUX-IN: Double click power button to switch BT mode to Aux-in mode.

AUTO RECONNECTION:

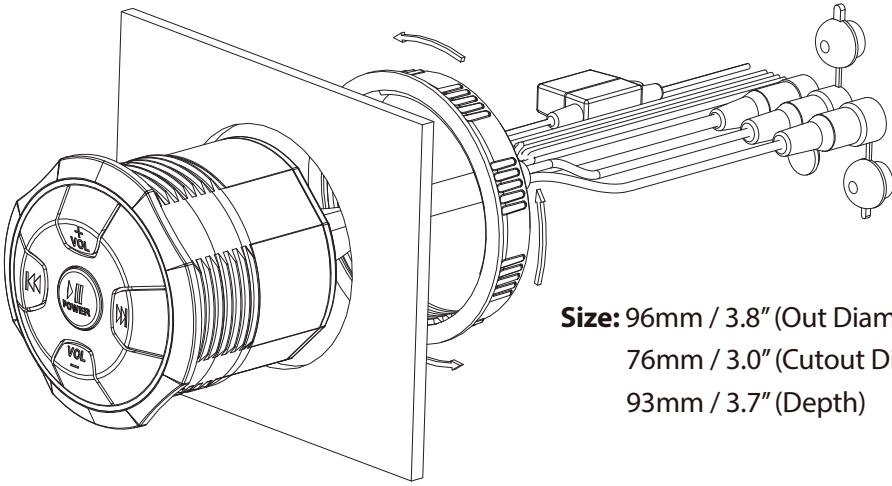
- a.** When the device is out of BT range, BT will be disconnected automatically, the light turns blue while blinking.
- b.** BT will automatically reconnect when detected in range again in 10 minutes.
- c.** Disconnected BT after 10 minutes, you need to process BT connection steps to reconnect BT again.
- d.** If the other device occupied the BT during this period (10mins), you need to process BT connection steps (above).

PLAYING MUSIC

1. Press and hold **▶||** 3 seconds for Power **ON** or **OFF**
2. Short press **▶||** to play music or pause
3. Double click power button to switch BT mode to Aux-in mode
4. Short press **▶▶** for next track
5. Short press **◀◀** for previous track
6. Press and hold **VOL+** for volume up
7. Press and hold **VOL-** for volume down

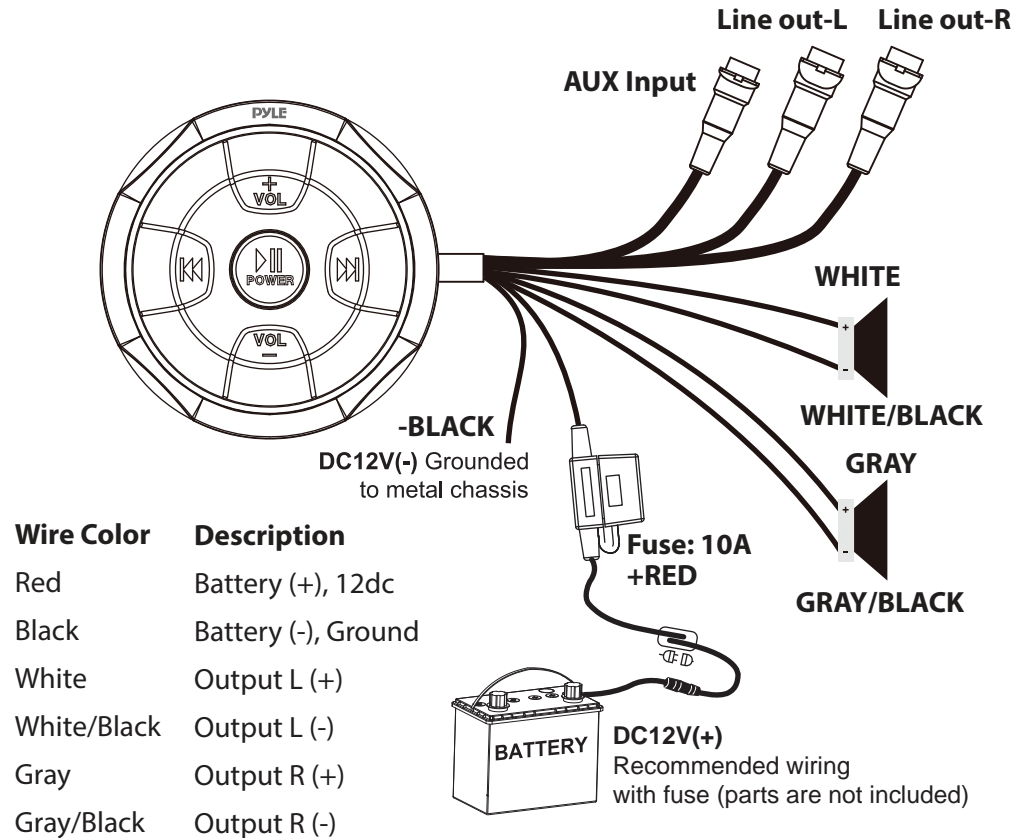


INSTALLATION (SEAMLESS FLUSH MOUNT)



Size: 96mm / 3.8" (Out Diameter)
 76mm / 3.0" (Cutout Diameter)
 93mm / 3.7" (Depth)

WIRE DIAGRAM



PLUTV48KBTR

4" Waterproof Rated Off-Road RGB Speakers

Compact Dual Vehicle Speaker System w/ Amplified Wireless BT Remote Control Receiver, for ATV, UTV, 4x4, Jeep, Powersports Vehicles

Marine Speakers:

- Pro Audio PowerSport Speakers with RGB Lights
- Compact & High-Powered Output
- Marine Grade Waterproof Rated Construction
- Weatherproof & Water-Resistant Housing
- Sound System: (2) x 4.0" Woofers + (2) x 0.5" Tweeters
- 2-Way Full Range Stereo Sound Reproduction
- Impressive Bass Response
- Integrated Speaker Power & Wiring Harness
- Sleek Design, Machine Molded Speaker Cabinet Housing
- Rugged, Universal Mount Bracket Design for Roll-Bar/Roll-Cage
- Used for Off-Road Outdoor Vehicles: ATV, UTV, 4x4, Jeeps, Marine Watercraft

BT Control Unit Features:

- Marine Grade Construction
- Water-Resistant, Weatherproof Design
- 2-Channel Amplifier Style
- Connect & Stream Audio from Additional External Devices
- Aux (3.5mm) Input
- Pre-Amp RCA Out to Any OEM/Factory-Made Mono-Block/Full-Range Amplifier
- Anti-Thump On/Off Option
- Soft Turn On/Off Option
- Overload & Power Protection Circuitry
- Great For Cars, Trucks, ATV's, UTV's, 4x4's, Boats, Marine Watercrafts, and PowerSport Vehicles

Wireless BT Music Streaming:

- Simple & Hassle-Free Pairing
- Instant Wireless Audio-Streaming Receiver
- Works with All of Today's Latest Devices
Smartphones, Tablets, Laptops, Computers, etc.
- Wireless BT Version: 5.0
- Wireless BT Network Name: 'PYLEUSA'
- Wireless Range: Up to 30 ft

What's in the Box:

- (1) Wireless BT Control Unit
- (1) 3.5 mm Stereo Wire
- (2) 4" -inch Off-Road Speakers
- (2) Speaker Connection Wires, 6.6' ft.
- (4) Butt Connectors, 16-22 AWG
- (2) 5.9" x 0.7" x 0.2" -inches EVA Pads
- (2) 6.5" x 0.7" x 0.2" -inches EVA Pads
- RGB Connection Wire, 6.6' ft.
- Remote Control



WARNING:

This products can expose you to a chemical or group of chemicals, which may include "**Di (2-ethylhexyl) phthalate (DEHP)**" which is known in the state of California to cause cancer, birth defects, or other reproductive harm. For more info, go to <https://www.p65warnings.ca.gov/>.

Marine Technical Specs:

- Power Output: 800 Watt MAX
- Marine Grade Waterproof Rating: IP-X5
- Speaker Size: 4" -inch (Each)
- Speaker Style: Passive Speakers
- Speaker Type: Polypropylene Cone,
- Butyl Rubber Surround (x2)
- Tweeter Type: Neodymium Dome (x2)
- Frequency Response: 85Hz-20kHz
- Impedance: 4 Ohm
- Magnet Type: 20 oz. Circuit
- Mid-Woofer Voice Coil Type: 1.0", Aluminum
- Sensitivity: 90 dB +/- 2 dB @ 1M/1W
- Universal Mounting Brackets Roll-Bar / Roll-Cage Diameter: 1.25" ~ 2.0" -inches
- Remote Control Battery Operated, Requires (1) x CR2025 Batteries (Included)
- Battery Type: 3.2V Lithium-ion 150mAh
- Speaker Dimensions: 5.6" x 8.4" x 7.3" -inches, with Bracket (-Each)

Wireless BT Control Unit Technical Specs:

- Power Output: 800 Watt MAX
- 2 x 200 Watts RMS @ 4 Ohm
- 2 x 400 Watts MAX @ 4 Ohm
- Marine Grade IP65 Rating
- Amplifier Type Class-D
- T.H.D: 0.1%
- S/N Ratio: > 95 dB
- Channel Separation: > 65 dB
- Frequency Response: 10 - 40kHz
- Fuse: 10A
- Power: DC 12V
- Unit Dimensions (Diameter x Depth): 3.8" x 4.17" - inches

PYLE

PyleUSA.com



VISIT US ONLINE:

Have a question?

Need service or repair?

Want to leave a comment?

PyleUSA.com/ContactUs

PYLE

Questions? Issues?

We are here to help!

Phone: (1) 718-535-1800

Email: support@pyleusa.com