

PYLE

PyleUSA.com



VISIT US ONLINE:
Have a question?
Need service or repair?
Want to leave a comment?
[PyleUSA.com/ContactUs](https://www.pyleusa.com/ContactUs)

PYLE

Questions? Issues?

We are here to help!

Phone: (1) 718-535-1800

Email: support@pyleusa.com



WARNING:

This products can expose you to a chemical or group of chemicals, which may include "Di (2-ethylhexyl) phthalate (DEHP)" which is known in the state of California to cause cancer, birth defects, or other reproductive harm. For more info, go to <https://www.p65warnings.ca.gov/>.



PLUTV53BTA

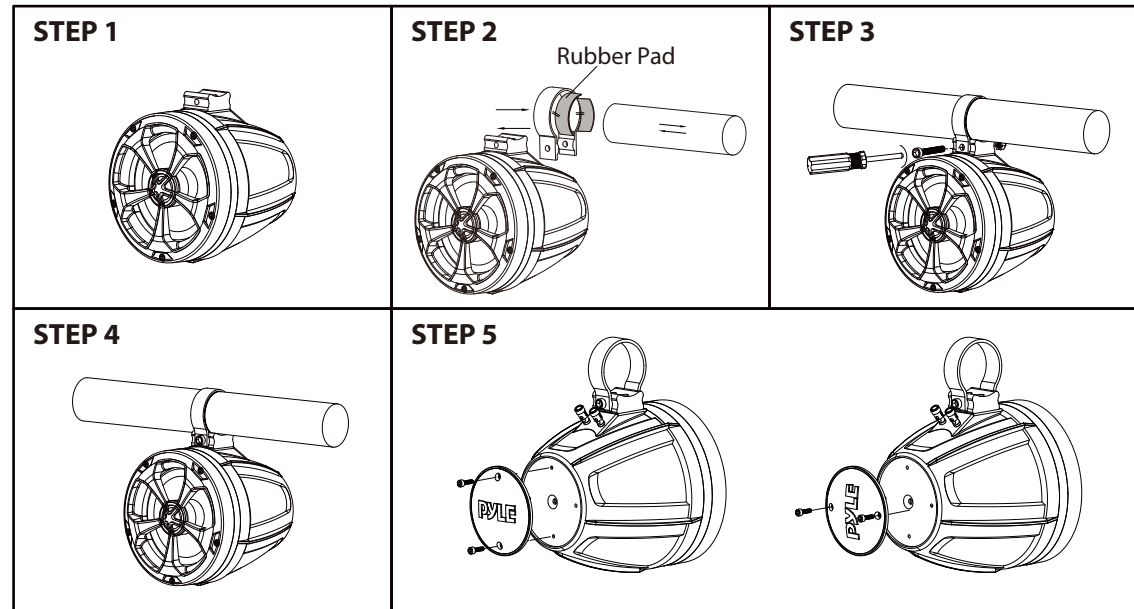
5.25" Waterproof Rated Off-Road Wireless BT Speakers

Amplified Vehicle Speaker System for ATV, UTV, 4x4, Jeep (1000 Watt)

USER MANUAL

PLUTV53BTA Installation

1. To avoid potential shorts in the electrical system, be sure to disconnect the (-) battery cable before installation. Use this unit with a 12-Volt battery and negative grounding only. Failure to do so may result in a fire or malfunction.
2. **Speaker Mounting suggestion as below:**



Step 1: Put the **PLUTV53BTA** speaker in a safe place.

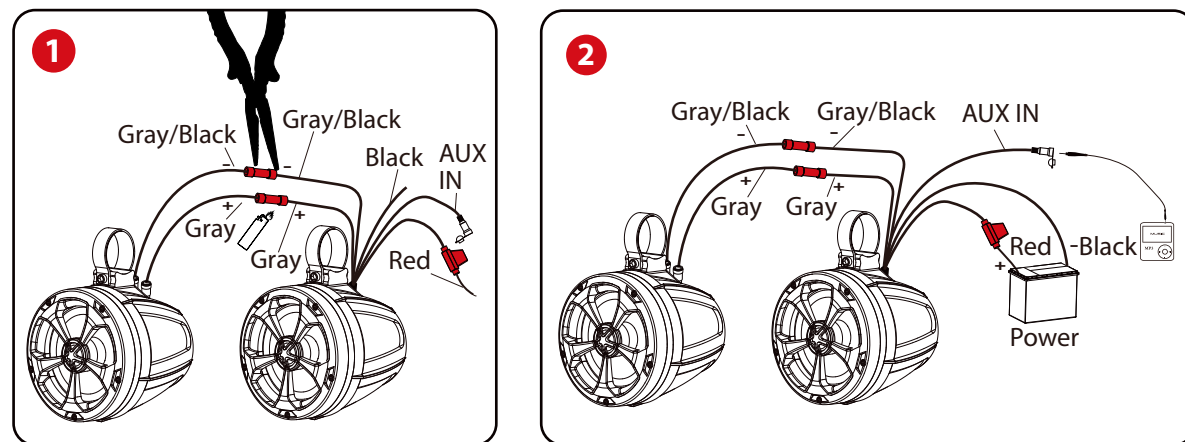
Step 2: Slide in the buckle with rubber pad attached to the bracket stand of the speaker.
Attach the set to the handle bar of vehicle/ship.

Step 3/4: Attach screw to lock the buckle.

Step 5: Option for adjustable PYLE logo---Unbolted the screws first, adjusting logo direction, then re-fix screws.

Step 6: Using accessories of Butt Connector to Connect Speaker wires (See Illustration 1)

Step 7: Using accessories of Butt Connector to Connect Power Cable (See Illustrations 2)



Features:

- Pro Audio PowerSport Speakers
- Amplified (Active) Speaker System
- Wireless BT Music Streaming Ability
- Bridged Sound System: (2) x 5.25" Woofers + (2) x 1" Tweeters
- Marine Grade Waterproof Rated Construction
- Weatherproof & Water-Resistant Housing
- 2-Way Full Range Stereo Sound Reproduction
- Built-in Digital Sound Processing Amplifier
- Integrated Speaker Power & Wiring Harness
- Compact Size & High-Powered Output
- Impressive Bass Response
- Aux (3.5mm) Input Jack
- Connect & Stream Audio from External Devices
- Sleek Design, Machine Molded Speaker Cabinet Housing
- Rugged, Universal Mount Bracket Design for Roll-Bar / Roll-Cage
- Used for Off-Road Outdoor Vehicles: ATV, UTV, 4x4, Jeeps, Marine Watercraft

Wireless BT Connectivity:

- Simple & Hassle-Free Pairing
- Instant Wireless Audio Streaming Ability
- Works with All of Today's Latest Devices
- Smartphones, Tablets, Laptops, etc.
- Wireless BT Version: V5.0
- Wireless BT Network Name: 'PyleUSA'
- Wireless Range: 30+ ft.
- *Wireless BT Receiver Module Built-Into Amplifier of Main/Active Speaker

Technical Specs:

- Speaker Power: 1000 Watt MAX
- Amp Power: 2 x 250 Watt MAX @ 4 Ohms (2 x 125 Watt RMS)
- Amp Type: 2-Channel, Class D
- Marine Grade Waterproof Rating: IP-X45
- Speaker Type: Polypropylene Cone, Butyl Rubber Surround (x2)
- Tweeter Type: Neodymium Dome (x2)
- Frequency Response: 80Hz-20kHz
- Impedance: 4 Ohm
- Magnet Type: 24 oz. Circuit
- Mid-Woofer Voice Coil Type: 1", Aluminum
- Sensitivity: 88 dB +/- 2 dB @ 1M/1W
- Anti-Thump Turn-On
- Soft Turn On/Off
- T.H.D: <0.05%
- S/N Ratio: >80dB
- Channel Separation: >65dB
- Amp Freq. Response: 20Hz- 20kHz
- Fuse: 1 x 15A
- Power Supply: DC 12V
- Universal Mounting Brackets Roll-Bar/Roll-Cage Diameter: 1.75" ~ 2.0" -inches
- Speaker Dimensions: 6.5" x 7.1" x 9.5" -inches, with Bracket (-Each)

What's in the Box:

- (2) 5.25" Amplified Main Speaker
- Speaker Connection Wires, 6.5' ft.
- (2) Butt Connectors, 16-22 AWG
- (2) 1.75" Aluminum Mounting Brackets
- (2) 2" Aluminum Mounting Brackets
- (2) 6.5" x 0.95" x 0.67" Inches Rubber Pads
- (2) 5.7" x 0.95" x 0.67" Inches Rubber Pads
- (2) 6x50mm Hexagon Socket Head Cap Screws
- (2) Stainless Steel Nuts