



BLUE LABEL	RED LABEL
PLW10BL	PLW10RD
PLW12BL	PLW12RD
PLW15BL	PLW15RD

**PYLE**  
PyleUSA.com

## SPECIFICATIONS

### **MANUFACTURER'S LIMITED ONE YEAR WARRANTY**

**PYLE USA warranties this unit to be free from defective material or workmanship and will repair or replace this unit or any part thereof if it proves defective in normal use or service within one (1) year from the date of original purchase.**

- Our obligation under this warranty is limited to the repairing or replacing at our discretion, the defective instrument or any part thereof when it is returned, transportation prepaid to the Pyle Service Center.
- This warranty will be considered void if the unit has been tampered with, improperly serviced, subjected to abuse or misuse or if installed in a commercial vehicle.
- This warranty does not cover accidental damage.

### **IMPORTANT:**

*Pack carefully in original carton if possible. We are not responsible for damage incurred in returning items for repair. A letter stating your exact street address, daytime phone number and the problem you are experiencing should be included. You must also enclose a copy of the original receipt as proof of date of purchase.*

### **About Pyle Blue (Red) Label Woofer**

**CONGRATULATIONS!** You have just purchased one of our high quality Pyle woofers. Blue (Red) Labels Series Woofers are not only in unique design, but also could deliver consistent and high performance.

We do confidant that Blue (Red) Labels Series Woofer will bring you many hours of enjoyment over the years.

### **The General Features Pyle Woofer Include:**

#### **BLUE LABEL**

- Blue CD Wave Electro-plated Polypropylene Cone
- Wide Butyl Rubber Surround With New Pattern
- Blue Steel Basket
- Bumped & Vented Extended Pole Piece
- High Temperature Kapton Polyamide Voice Coils
- 4 Ohm Impedance

#### **RED LABEL**

- Red CD Wave Electro-plated Polypropylene Cone
- Wide Butyl Rubber Surround With New Pattern
- Red Steel Basket
- Bumped & Vented Extended Pole Piece
- High Temperature Kapton Polyamide Voice Coils
- 4 Ohm Impedance



### **Questions? Issues?**

We are here to help!

Phone: (1) 718-535-1800

Email: [support@pyleusa.com](mailto:support@pyleusa.com)



#### **VISIT US ONLINE:**

Have a question?

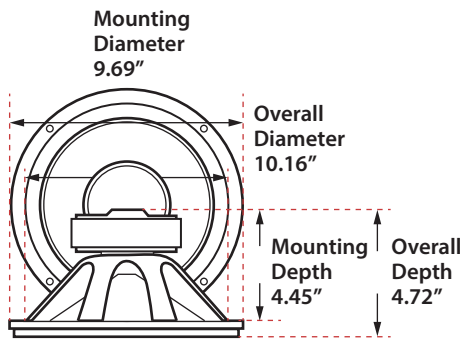
Need service or repair?

Want to leave a comment?

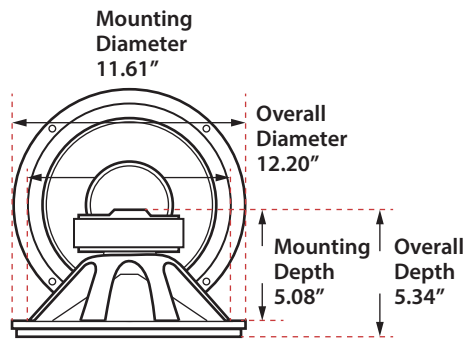
[PyleUSA.com/ContactUs](http://PyleUSA.com/ContactUs)

**PYLE**

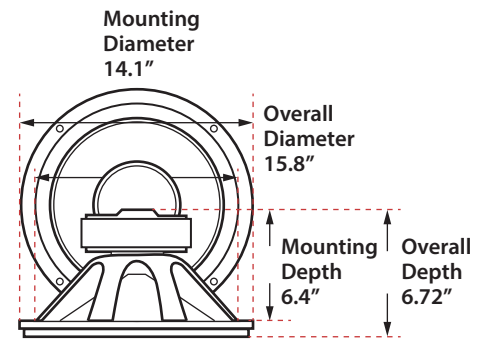
**PLW10BL/PLW10RD**



**PLW12BL/PLW12RD**



**PLW15BL/PLW15RD**



Specification	PLW10BL	PLW12BL	PLW15BL
Steel Frame	Blue	Blue	Blue
Cone	Blue Electro-platerd	Blue Electro-platerd	Blue Electro-platerd
Surround	Wide Rubber	Wide Rubber	Wide Rubber
Power (Watts Peak)	600	800	1000
Impedance (Ohm)	4	4	4
Voice Coil (Inch)	1.5" KSV	2.0" KSV	2.5" KSV
Magnet Structure	70 Oz	90 Oz	70 Oz
Fs (Hz)	35.9	26.2	20
Qms	5.72	5.81	6.23
Qes	0.83	0.90	1.1
Qts	0.73	0.78	1.0
SPL (dB)	86.7	85.5	86
Vas (L)	1.932	4.146	9.416

Specification	PLW10RD	PLW12RD	PLW15RD
Steel Frame	Red	Red	Red
Cone	Red Electro-platerd	Red Electro-platerd	Red Electro-platerd
Surround	Wide Rubber	Wide Rubber	Wide Rubber
Power (Watts Peak)	600	800	1000
Impedance (Ohm)	4	4	4
Voice Coil (Inch)	1.5" KSV	2.0" KSV	2.5" KSV
Magnet Structure	70 Oz	90 Oz	70 Oz
Fs (Hz)	35.9	26.2	20
Qms	5.72	5.81	6.23
Qes	0.83	0.90	1.1
Qts	0.73	0.78	1.0
SPL (dB)	86.7	85.5	86
Vas (L)	1.932	4.146	9.416

*Pyle-Blue ( Red ) Label-Series continually strives to improve the performance and value of its products all specifications are subject to change.*