

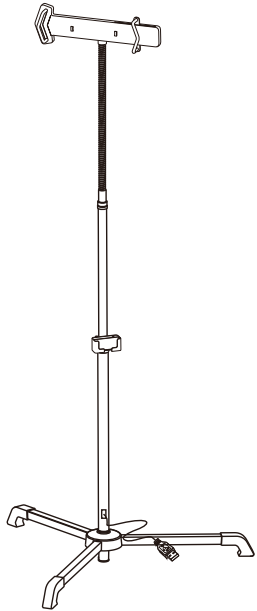


USER MANUAL

Tablet PC floor stand

ITEM NO.: PMKSPAD4LK

www.pyleaudio.com

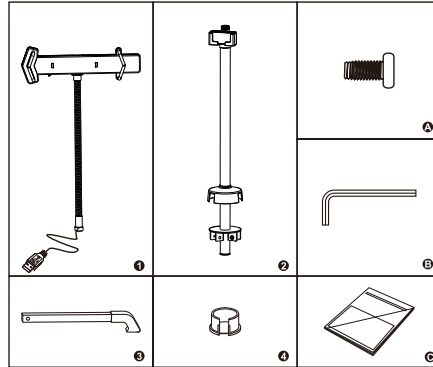


Thanks for purchasing our products
Please read the instruction before use

Product overview - see above

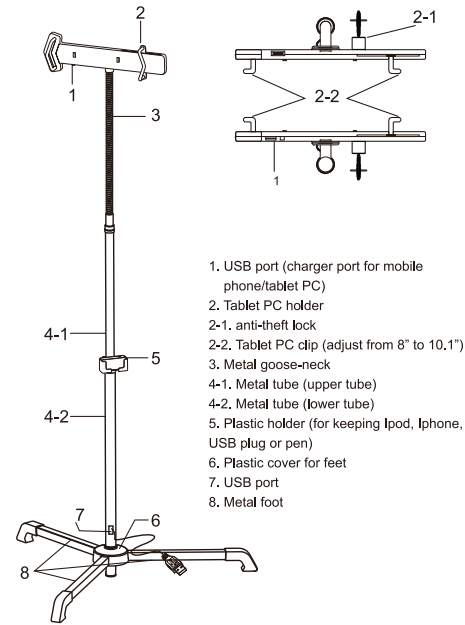
- * Fits iPad, Kindle, Android, Nexus & Samsung Tablets, from 8.0" to 10.1" inches in size
- * Height adjustability: 43.5" to 58.5" inches
- * 360 degree rotatable flexible metal goose-neck
- * 300 degree rotatable tablet PC Holder-
- * Innovative anti-theft lock design
- * Convenient plastic stand (for keeping cell phone, Mp3 player or pen)

Product part list:



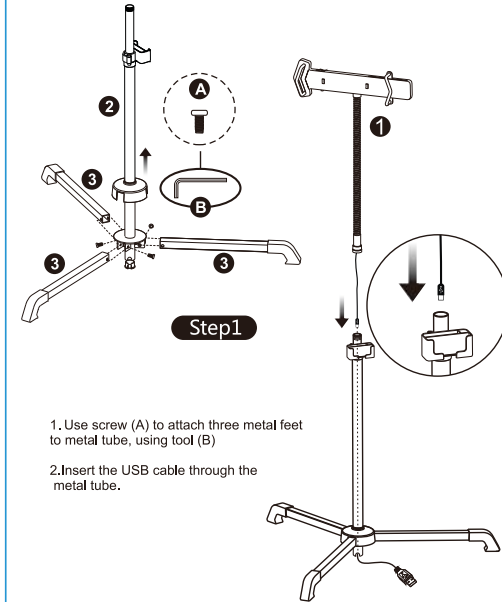
1. Tablet PC holder (with metal goose-neck)
2. Metal tube
3. Metal Tri-pod feet (3 pcs)
4. Plastic insert
- A. Screw(3 pcs)
- B. Hexagon Wrench(1pc)
- C. Instruction manual

Product details:

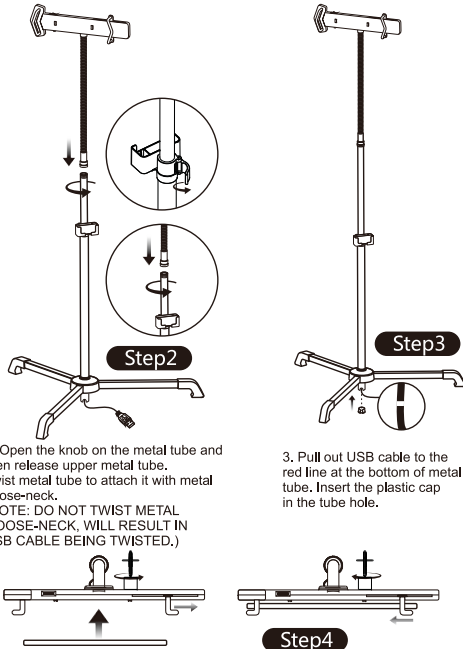


1. USB port (charger port for mobile phone/tablet PC)
2. Tablet PC holder
- 2-1. anti-theft lock
- 2-2. Tablet PC clip (adjust from 8" to 10.1")
3. Metal goose-neck
- 4-1. Metal tube (upper tube)
- 4-2. Metal tube (lower tube)
5. Plastic holder (for keeping Ipod, Iphone, USB plug or pen)
6. Plastic cover for feet
7. USB port
8. Metal foot

Assemble instruction:



1. Use screw (A) to attach three metal feet to metal tube, using tool (B)
2. Insert the USB cable through the metal tube.



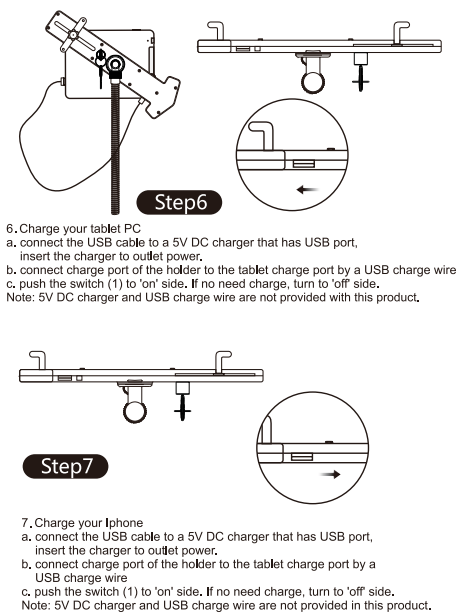
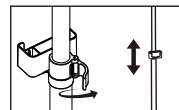
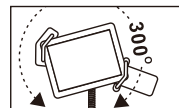
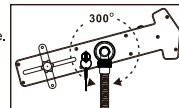
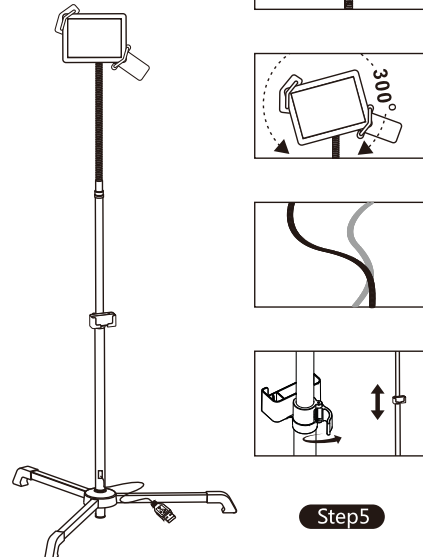
2. Open the knob on the metal tube and then release upper metal tube. Twist metal tube to attach it with metal goose-neck.
(NOTE: DO NOT TWIST METAL GOOSE-NECK. WILL RESULT IN USB CABLE BEING TWISTED.)

3. Pull out USB cable to the red line at the bottom of metal tube. Insert the plastic cap in the tube hole.



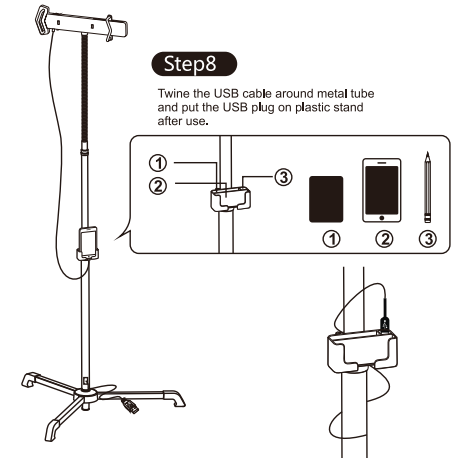
4. Affix tablet PC to tablet PC holder

5. Turn tablet PC holder and metal hose to the position and angle you want, adjust the height of metal tube. If you have to leave for a while, please lock it and keep the key.



6. Charge your tablet PC
a. connect the USB cable to a 5V DC charger that has USB port, insert the charger to outlet power.
b. connect charge port of the holder to the tablet charge port by a USB charge wire
c. push the switch (1) to 'on' side. If no need charge, turn to 'off' side.
Note: 5V DC charger and USB charge wire are not provided with this product.

7. Charge your Iphone
a. connect the USB cable to a 5V DC charger that has USB port, insert the charger to outlet power.
b. connect charge port of the holder to the tablet charge port by a USB charge wire
c. push the switch (1) to 'on' side. If no need charge, turn to 'off' side.
Note: 5V DC charger and USB charge wire are not provided in this product.



Technical specification :
Rated voltage: DC/5V
Input power: 5V / 600mA ~ 2000mA
Maximum Height: 57 inches +/- 2
Minimum Height: 42 inches +/- 2
Product Net Weight: 4.9 lbs

Notice:
1. 5V DC charger and USB charger wire are not included with this product.
2. Pull out the USB cable to red warning line.
3. The tablet PC holder only can be rotated within 300 degrees.
4. Do not step on the metal feet of floor stand.