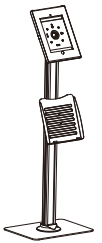


# PYLE®

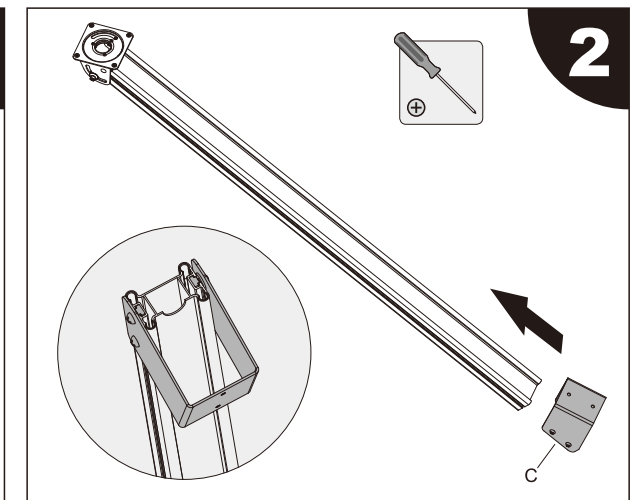
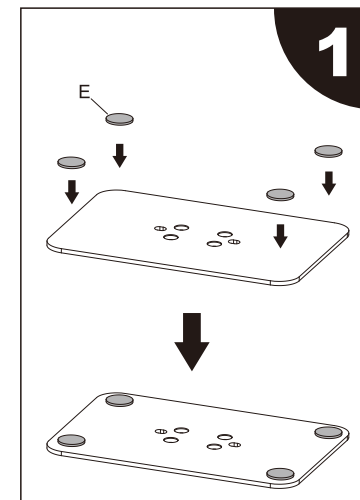
PyleUSA.com

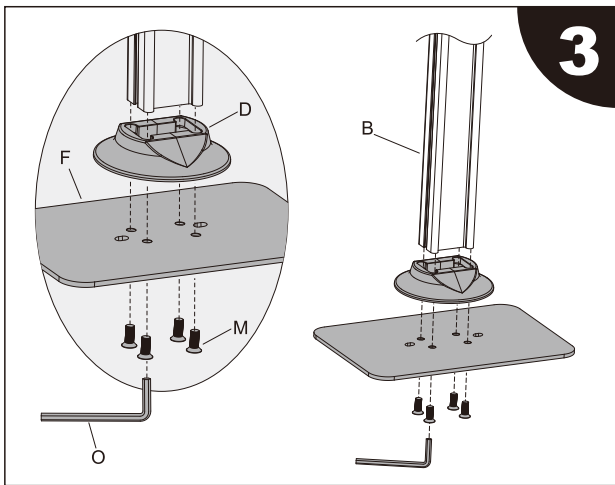
## PMKSPADLK48

### Installation Instruction

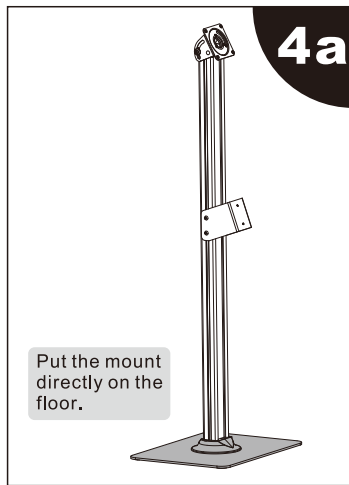


| ITEM | DESCRIPTION/PART NO. | QUANTITY | ITEM | DESCRIPTION/PART NO. | QUANTITY |
|------|----------------------|----------|------|----------------------|----------|
| A    | anti-theft box       | 1        | G    | sample box           | 1        |
| B    | pole                 | 1        | H    | ST6.3x55             | 2        |
| C    | support frame        | 1        | I    | concrete anchor      | 2        |
| D    | decorative cover     | 1        | J    | key                  | 2        |
| E    | rubber pad           | 4        | K    | M4x6                 | 2        |
| F    | base                 | 1        | L    | M5x6                 | 4        |
|      |                      |          | M    | M8x20                | 4        |
|      |                      |          | N    | 4mm Allen key        | 1        |
|      |                      |          | O    | 5mm Allen key        | 1        |
|      |                      |          | P    | button               | 1        |



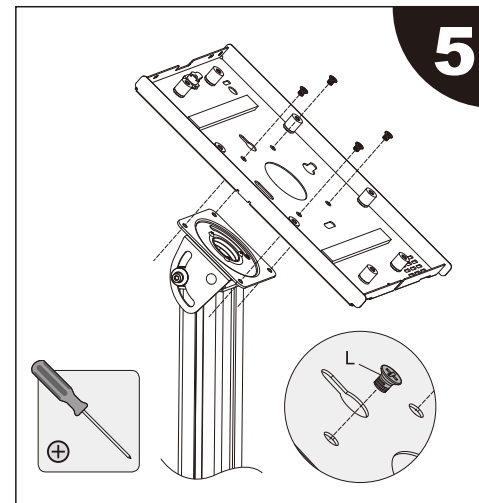


3



4a

Put the mount directly on the floor.

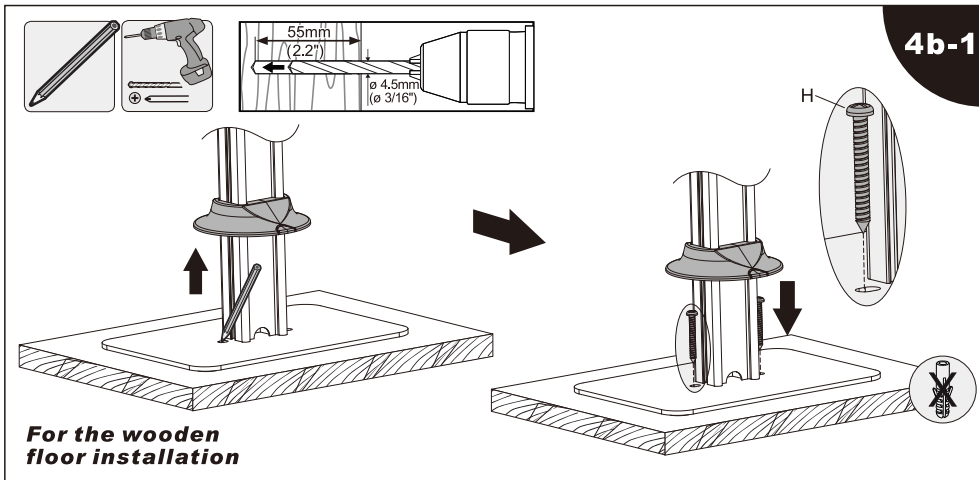


5



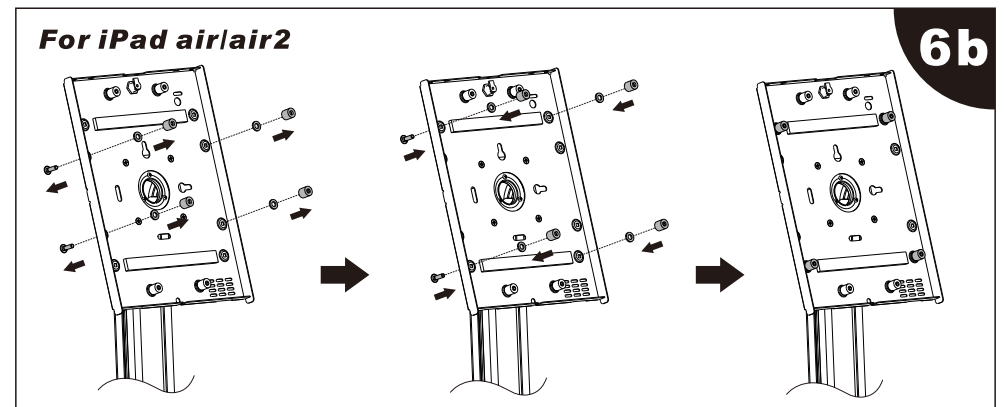
For iPad 2/3/4

6a



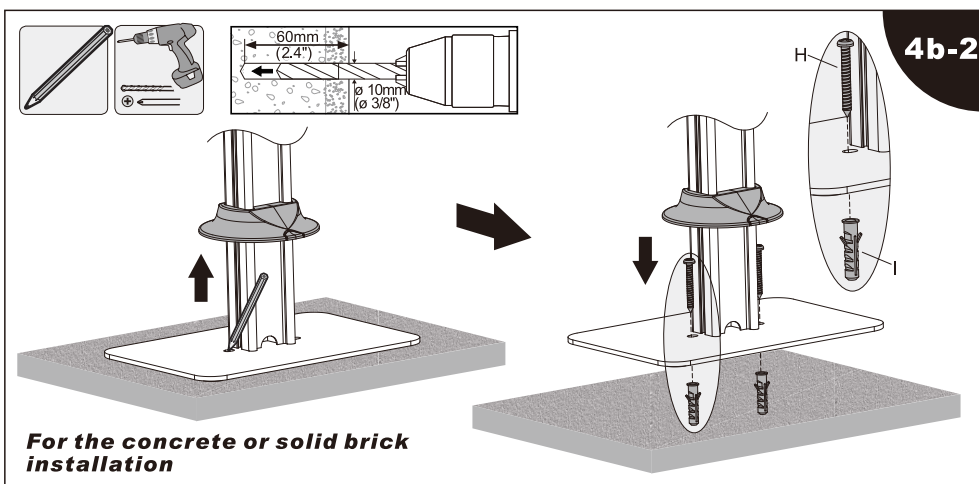
4b-1

For the wooden floor installation



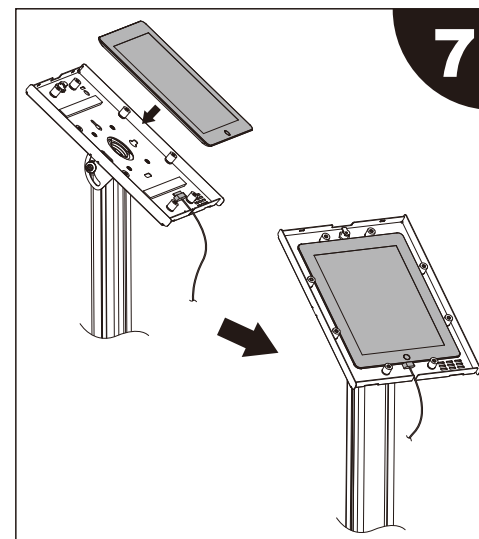
For iPad Airlair 2

6b

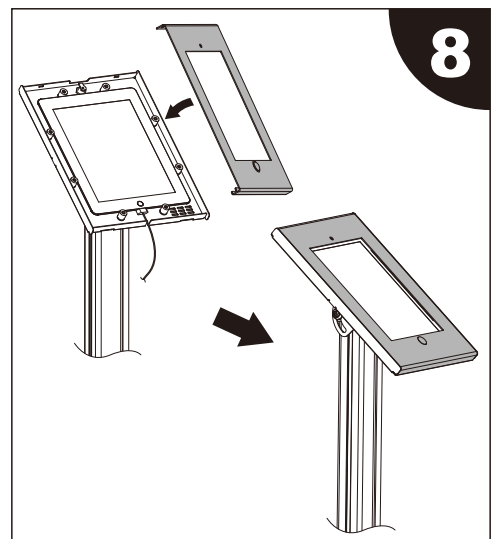


4b-2

For the concrete or solid brick installation



7



8