

 **PYLE<sup>®</sup>**  
**PRO**

**PREMIUM**  
*series*

**SPECIFICATIONS**

**PPA6**  
**PPA8**  
**PPA10**  
**PPA12**  
**PPA15**  
**PPA18**



[WWW.PYLEPRO.COM](http://WWW.PYLEPRO.COM)

# About Pyle Pro Premium Series Woofer

**Congratulations! You have purchased one of our high power Pyle Pro woofer. Pyle Pro Premium Series Woofer is the professional PA woofer series, which has been designed and manufactured for consistent and high performance.**

General Features of Pyle Pro Premium Series Woofers Include:

- *Strong Paper Cone*
- *Cloth Edge Suspension*
- *Bumped Vented Pole Piece*
- *High Temperate KAPTON Voice Coils*
- *8 Ohm Impedence*

**We do confident that Premium Series Woofer will bring you many hours of enjoyment over the years.**

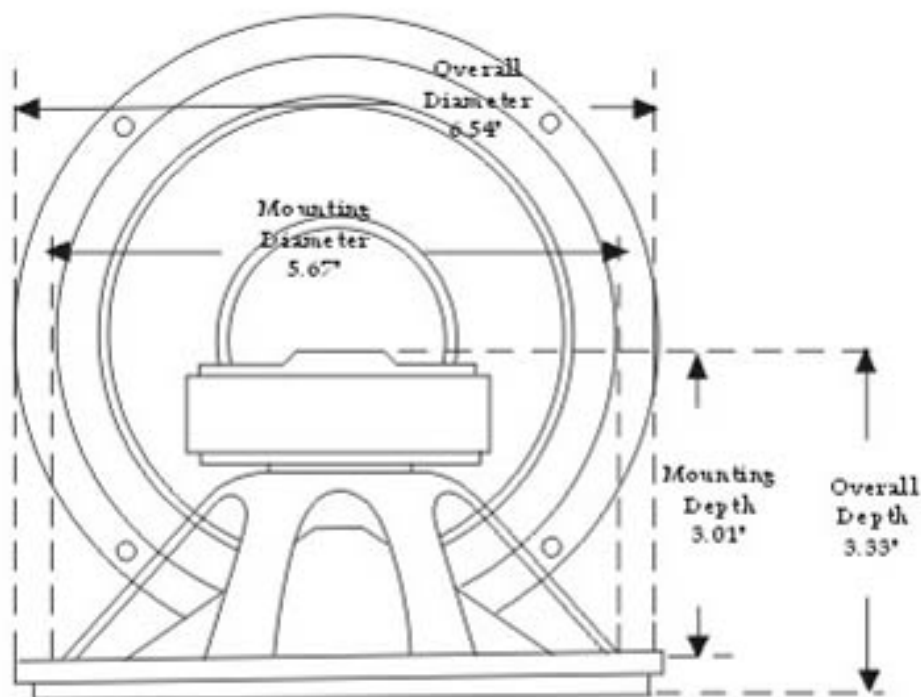
# About This Booklet

In this booklet, you could find the SPECIFICATIONS and TEMPLATE of the woofer. With this information, you could achieve the best performance of woofer conveniently.

Below is the meaning of the rating abbreviations.

- F<sub>s</sub>** : "Free Air Resonance", this value is the lowest audible frequency (in Hz) of the woofer.
- Q** : This value describes the degree of control ("damping") which the speaker exhibits. Speaker damping is due to both MECHANICAL characteristics (Q<sub>ms</sub>) and ELECTRICAL characteristics (Q<sub>es</sub>). A speaker's TOTAL DAMPLING VALUE is referring as Q<sub>ts</sub>.
- SPL** : This value means the sensitivity of the speaker.
- X<sub>max</sub>** : The overall distance (in millimeters) the cone and voice coil travel in a single excursion is referred to as X<sub>max</sub>.
- VAS** : This value describes (in cubic feet) the maximum amount of air which is displaced by the speaker cone in a single excursion.

# PPA6



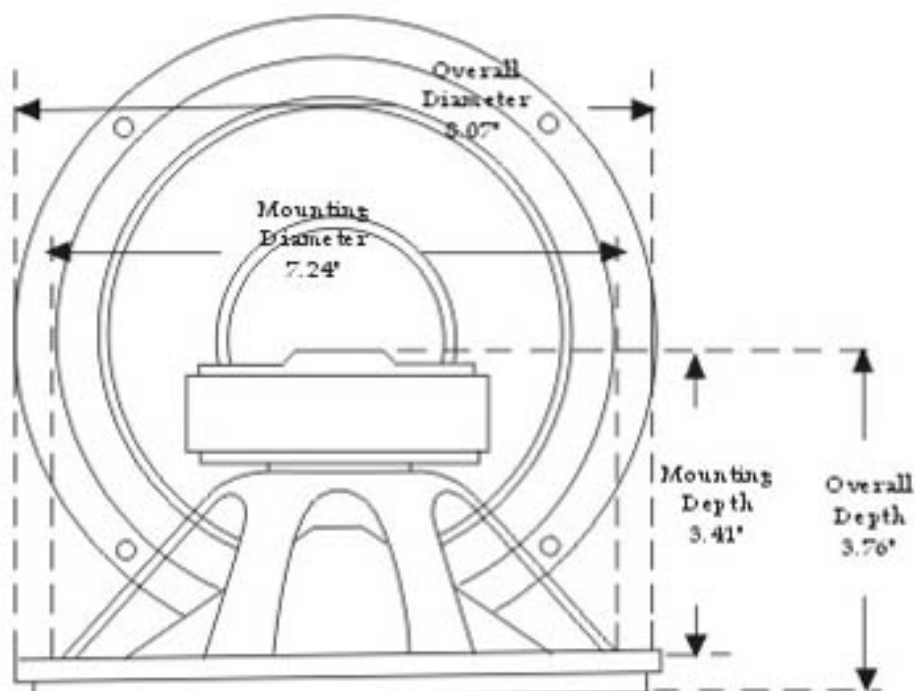
## SPECIFICATIONS

PYLE PRO PREMIUM-SERIES-Woofer for small enclosures

Performance Parameters		Physical & Installation Parameters	
Power (Watts Peak/RMS)	400/150	Voice Coil	1"KSV
Nom. Impedance	8	Magnet	30 oz
F <sub>s</sub> (Hz)	94.3	Cone	Paper
Q <sub>ms</sub>	2.97	Surround	Cloth
Q <sub>es</sub>	1.27	Spider	Super
Q <sub>ts</sub>	0.89	Dust cap	Poly-concave
SPL (db)	88.5	Frame	Stamped Steel
X-max (mm)		Terminals	Spade
V <sub>as</sub> (cu ft)	0.148	Backplate	Bumped & Vented

PYLE PRO Continually strives to improve the performance and value of its products- all specifications are subject to change.

# PPA8



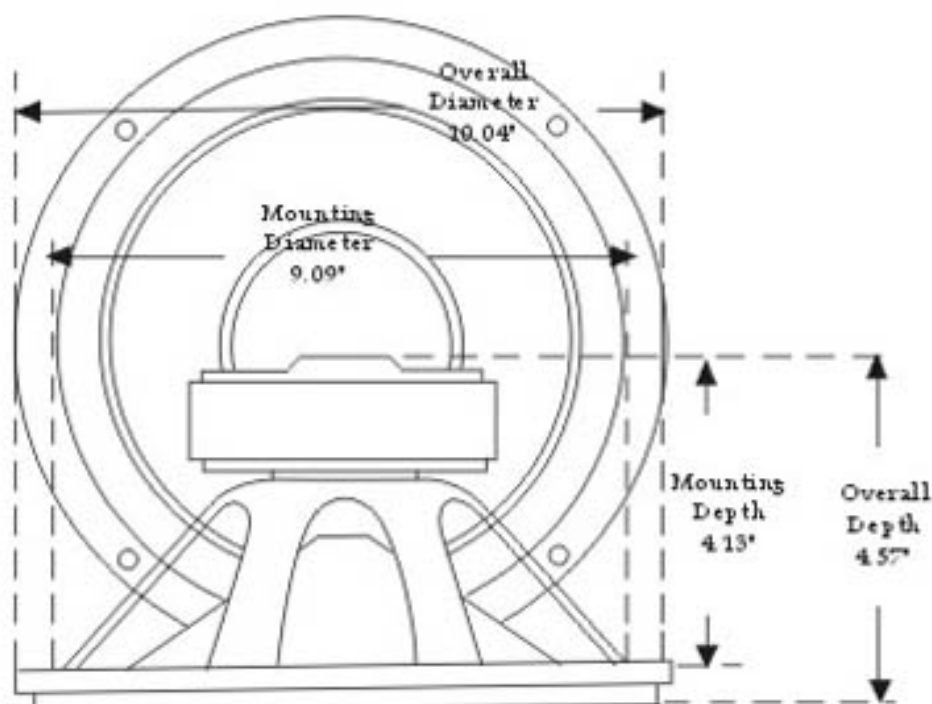
## SPECIFICATIONS

PYLE PRO PREMIUM-SERIES-Woofer for small enclosures

Performance Parameters		Physical&Installation Parameters	
Power(Watts Peak/RMS)	500/200	Voice Coil	1.2"KSV
Nom.Impedance	8	Magnet	40 oz
Fs(Hz)	60.7	Cone	Paper
Qms	2.99	Surround	Cloth
Qes	0.991	Spider	Super
Qts	0.69	Dust cap	Poly-concave
SPL(db)	89.2	Frame	Stamped Steel
X-max(mm)		Terminals	Spade
Vas(cu ft)	0.696	Backplate	Bumped&Vented

PYLE PRO Continually strives to improve the performance and value of its products- all specifications are subject to change.

# PPA10



## SPECIFICATIONS

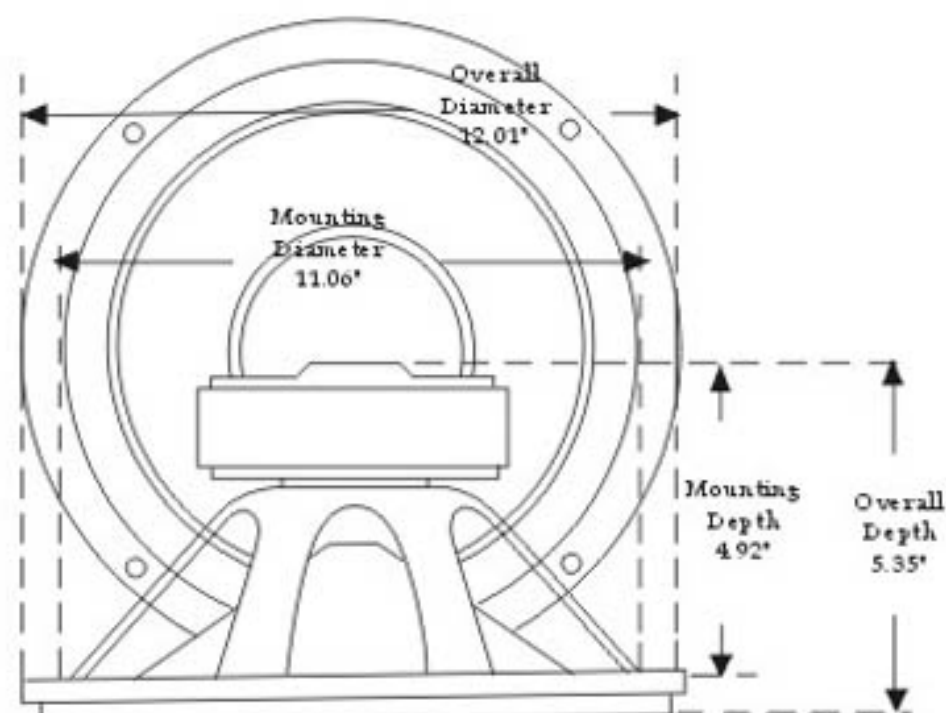
PYLE PRO PREMIUM-SERIES-Woofer for small enclosures

Performance Parameters		Physical & Installation Parameters	
Power (Watts Peak/RMS)	600/200	Voice Coil	1.5"KSV
Nom. Impedance	8	Magnet	50 oz
Fs (Hz)	45	Cone	Paper
Qms	2.67	Surround	Cloth
Qes	0.911	Spider	Super
Qts	0.68	Dust cap	Poly-concave
SPL (db)	89.2	Frame	Stamped Steel
X-max (mm)		Terminals	Spade
Vas (cu ft)	1.69	Backplate	Bumped & Vented

PYLE PRO Continually strives to improve the performance and value of its products - all specifications are subject to change.

PYLE PRO PPA SERIES-5

# PPA12



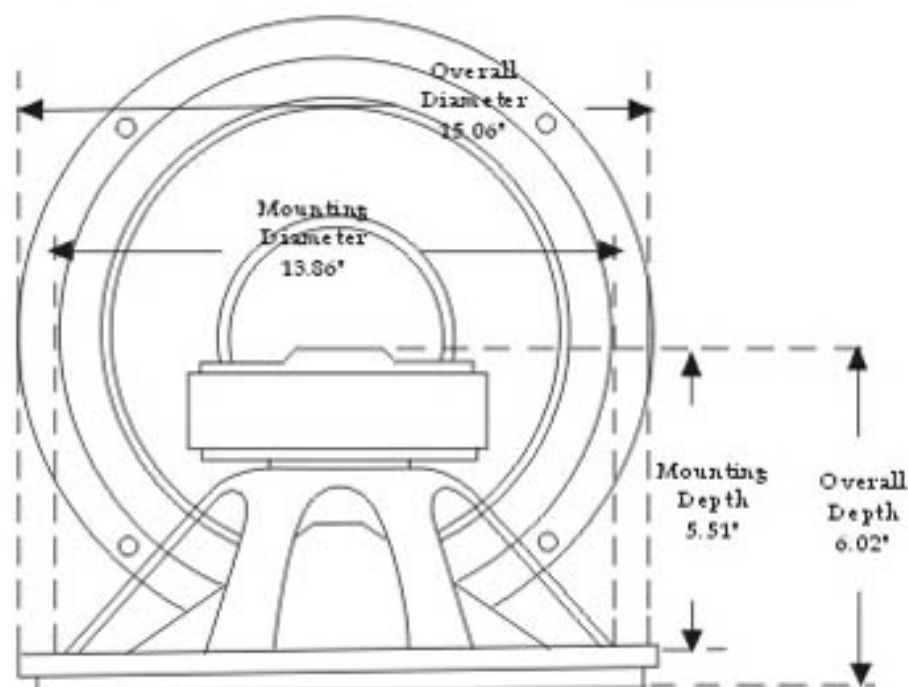
## SPECIFICATIONS

PYLE PRO PREMIUM-SERIES-Woofer for small enclosures

Performance Parameters		Physical & Installation Parameters	
Power (Watts Peak/RMS)	700/200	Voice Coil	2"KSV
Nom. Impedance	8	Magnet	60 oz
F <sub>s</sub> (Hz)	35.5	Cone	Paper
Q <sub>ms</sub>	2.62	Surround	Cloth
Q <sub>es</sub>	0.88	Spider	Super
Q <sub>ts</sub>	0.66	Dust cap	Poly-concave
<b>SPL (db)</b>	90.0	Frame	Stamped Steel
X-max (mm)		Terminals	Spade
V <sub>as</sub> (cu ft)	4.517	Backplate	Bumped & Vented

PYLE PRO Continually strives to improve the performance and value of its products - all specifications are subject to change.

# PPA15



## SPECIFICATIONS

PYLE PRO PREMIUM-SERIES-Woofer for small enclosures

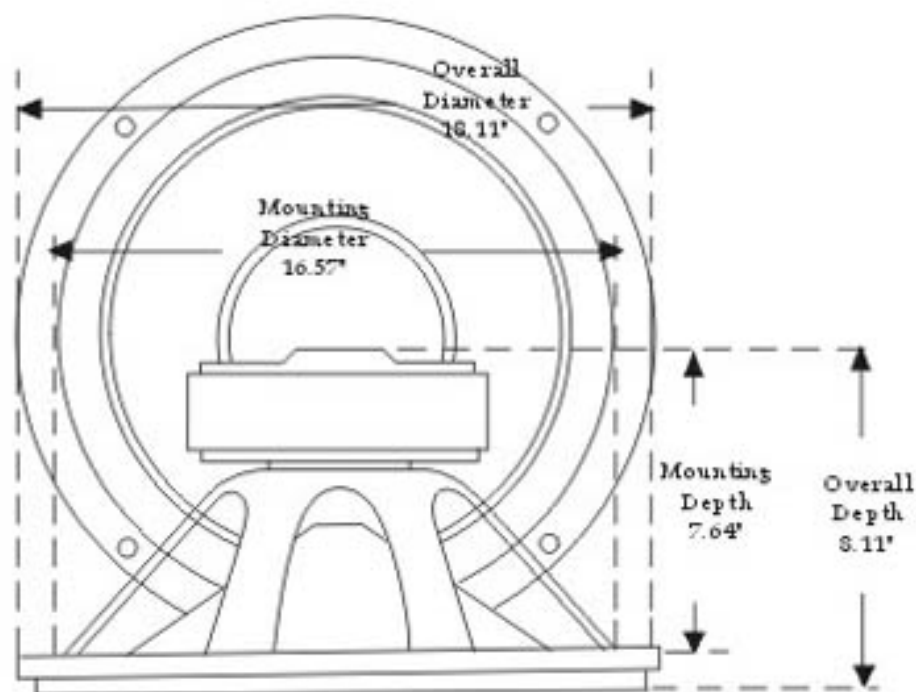
Performance Parameters		Physical & Installation Parameters	
Power(Watts Peak/RMS)	800/250	Voice Coil	2.5"KSV
Nom.Impedance	8	Magnet	70 oz
F <sub>s</sub> (Hz)	26.7	Cone	Paper
Q <sub>ms</sub>	2.69	Surround	Cloth
Q <sub>es</sub>	0.89	Spider	Super
Q <sub>ts</sub>	0.67	Dust cap	Poly-concave
<b>SPL(db)</b>	90.2	Frame	Stamped Steel
X-max(mm)		Terminals	Spade
V <sub>as</sub> (cu ft)	11.357	Backplate	Bumped&Vented

PYLE PRO Continually strives to improve the performance and value of its products-  
all specifications are subject to change.

PYLE PRO PPA SERIES-7



# PPA18



## SPECIFICATIONS

PYLE PRO PREMIUM-SERIES-Woofer for small enclosures

Performance Parameters		Physical & Installation Parameters	
Power (Watts Peak/RMS)	1000/300	Voice Coil	3"KSV
Nom. Impedance	8	Magnet	100 oz
Fs (Hz)	24.2	Cone	Paper
Qms	1.34	Surround	Cloth
Qes	0.55	Spider	Super
Qts	0.39	Dust cap	Poly-concave
SPL (db)	94	Frame	Stamped Steel
X-max (mm)		Terminals	Spade
Vas (cu ft)	17.77	Backplate	Bumped & Vented

PYLE PRO Continually strives to improve the performance and value of its products - all specifications are subject to change.

PYLE PRO PPA SERIES-8