

PRJTPOTS71 Outdoor Projector Screen

PYLE
PyleUSA.com

Portable Viewing Projector Display with Frame Stand
HD 16:9 Pickup Display (72" -inch)

USER GUIDE

Features:

- Indoor/Outdoor Projector Screen
- Lightweight & Portable Display + Frame Stand
- Triangular Prism Design for Wind Stability
- Hassle-Free Setup for Quick Projection
- Matte White Fabric for Optimal Color Pickup
- Home Theater Style: HD Wide-Angle Viewing
- Used for Home, Office & Business Applications
- *Some Assembly Required

What's in the Box:

- Projector Screen
- Mounting Frame Stand
- Travel/Storage Bag

Technical Specs:

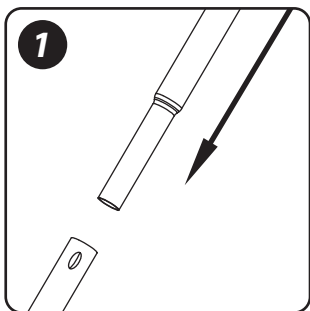
- Projector Viewing Screen Size: 72" -inch, Diagonal
- Aspect Ratio/Viewing Format: 16:9 Compatible
- Wide-Angle Viewing Area: 160° Degree
- Screen Gain: 1.15
- Projector Fabric Thickness: 0.012" inches (0.3mm)
- Construction Material: Engineered Steel Alloy Frame
- Assembled Dimensions: 64.0" x 64.0" x 55.9" -inches



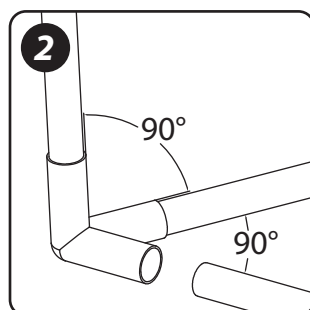
Note:

Care should be taken to prevent the screen from getting dirty during assembly. This is easier with two people.

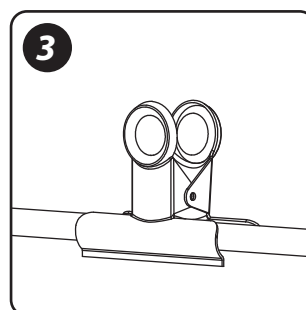
Assembly



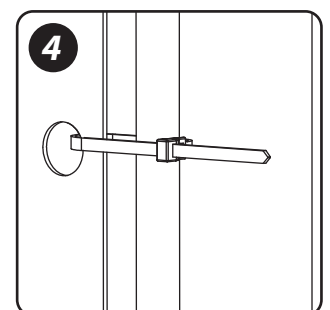
Install the Vertical tube.



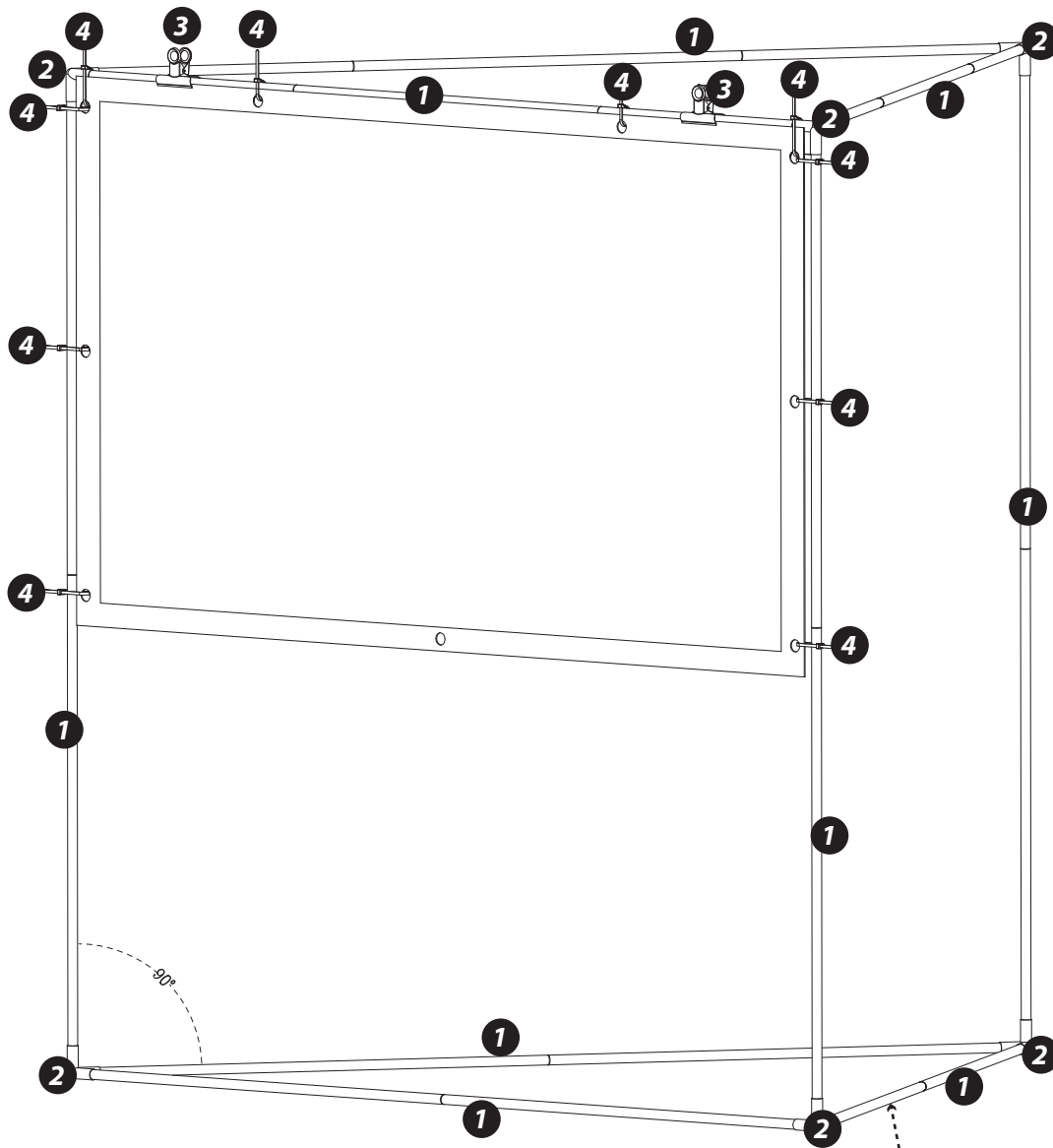
Insert the metal frame into the 3 Way Pipe Fittings. The tube must be fully inserted into the 3 Way Pipe Fittings as much as possible.



Use the metal clip to attach the screen on the top bar then use the zip tie to go through the hole and fix the screen on the top bar.



Zip tie goes into the hole and fix it on the tube. Don't strap the zip tie too tightly in the beginning.



It is a little bit difficult to put the last side together, it is intentional to make the triangle tight.

Pay Attention

1. Assemble the bottom triangle first, then attach the three uprights to make the top triangle.
It is designed intentionally to assemble the last triangle with difficulty in order to make the angle to be tensioned and not get loose.
2. The screen will have some wrinkle due to the rolling up, it will recover after a while when you tension the screen with zip tie.
3. Please don't cut the zip tie as you may re-use it next time.
4. This zip tie can be released again just by pressing the switch.
5. When all the zip ties are fixed, you can tighten it gradually to make the screen as flat as possible.
6. The metal clip is used to attach the screen on the top bar. You can leave the metal clip on or remove it.
7. There are two pairs of gloves so it is better to have two person to assemble this screen.
8. Don't tighten the screen too much; otherwise, the screen will be torn.
9. If the screen is dirty, you can clean it with a white cloth; the screen is not suitable for machine washing.
10. The screen can be used indoors or outdoors, but it is not waterproof. You cannot display it outside for a long time as the black edge around it will be damaged by water.
11. Once you done using the **Outdoor Projector Screen**, use the zip tie to strap the stand and store it with the screen in the Storage Bag.

Questions? Comments?
We are here to help!
Phone: (1) 718-535-1800
Email: support@pyleusa.com