

PYLE
PyleUSA.com



VISIT US ONLINE:
Have a question?
Need service or repair?
Want to leave a comment?
PyleUSA.com/ContactUs

PYLE

Questions? Issues?

We are here to help!

Phone: (1) 718-535-1800

Email: support@pyleusa.com



PS1000

Stage & Studio Power Sequence Conditioner

Pro Audio AV Digital Power Sequencer Controller
with Voltage & Temperature Readout, Rack Mount
(US Power Outlets)

CAUTION!

RISK OF ELECTRIC SHOCK. DO NOT OPEN

TO PREVENT ELECTRIC SHOCK DO NOT REMOVE TOP OR BOTTOM COVERS.

NO USER SERVICEABLE PARTS INSIDE.

REFER SERVICING TO QUALIFIED SERVICE PERSONNEL.

DISCONNECT POWER CORD BEFORE REMOVING BACK PANEL COVER
TO ACCESS GAIN SWITCH.

WARNING!

TO REDUCE THE RISK OF FIRE OR ELECTRIC SHOCK,
DO NOT EXPOSE THIS APPARATUS TO RAIN OR MOISTURE.

MAGNETIC FIELD

CAUTION! Do not locate sensitive high-gain equipment such as preamplifiers or tape decks directly above or below the unit. Because this amplifier has a high power density, it has a strong magnetic field which can induce hum into unshielded devices that are located nearby. The field is strongest just above and below the unit. If an equipment rack is used, we recommend locating the amplifier(s) in the bottom of the rack and the preamplifier or other sensitive equipment at the top.

WATCH FOR THESE SYMBOLS:



The exclamation point triangle is used to alert the user to important operating or maintenance instructions.



The lightning bolt triangle is used to alert the user to the risk of electric shock.

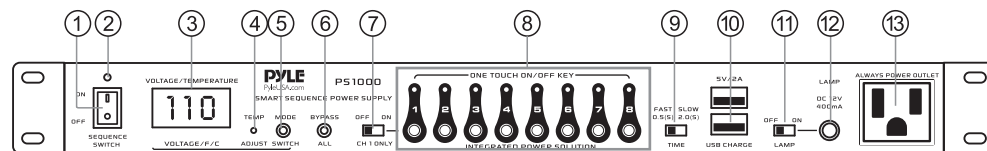
Introduction & Features

This amazing professional audio processor has a built-in high performance Micro Controller for precise electrical timing. This unit provides clean filters AC power with built in two stage EMI filter for each output. 8 channel cut-switch rear panel American Standard outputs and 1 constant un-switched front panel.

Other voltage outputs: 1 DC 12 Volt. You can link more than 100 units together with automatic master unit display. The display shows AC voltage, ambient temperature, wiring and ground status all in real time. 8 Segment display for step Time and various LEDs cover output, master, bypass, power, voltage and sequence.

Front Panel Introduction

MODEL: PS1000

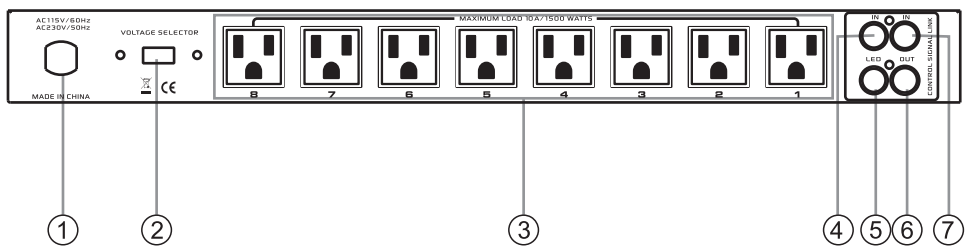


- 1. Outlet Sequence Power ON/OFF:** Push up or down to start the sequence switch **ON** or **OFF** automatically one by one.
- 2. LED For Sequence Power ON/OFF**
- 3. DISPLAY WINDOW:** Displays voltage or temperature (both in Fahrenheit & Centigrade)
- 4. Temperature:** Adjust the temperature slightly if the real display is different from the real one.
- 5. Mode Select:** Button switch for Fahrenheit/Centigrade temperature or Voltage display on the LED window.
- 6. BYPASS Switch:** Push to make all the outlets work at one time. Can't be adjusted by other control.
- 7. CH 1 Only:** After starting the power sequence, control only the Ch1 **ON** or **OFF**.
- 8. One touch ON/OFF key and LED:** Press to power **ON/OFF**. The LED indicates the related outlet's status.
- 9. Internal delay time selector:** Choose the internal power sequence delay time: 0.5 seconds or 2 seconds.
- 10. USB Charge (5V/2A):** Charge for Mobile phone (5V/2A) each.

- Power switch for the assistance light:** Power **ON/OFF** the light according to the switch position.
- Assistance light connector:** This is **BNC** connector, it can supply 12V/0.5A power, use a gooseneck light to connect.
- Always Power Outlet:** Assistant power outlet, connects to the AC input directly, power always valid.

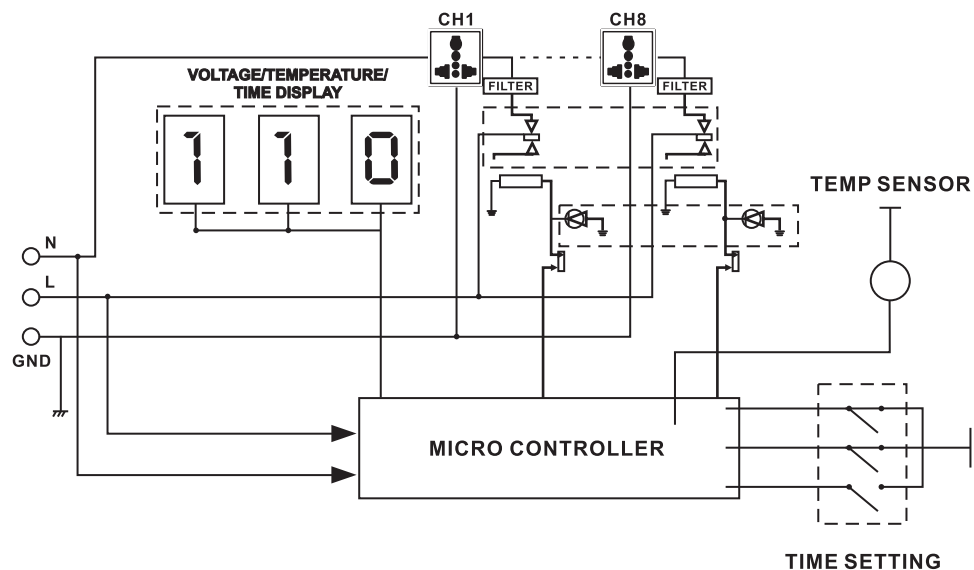
Rear Panel Introduction

MODEL: PS1000

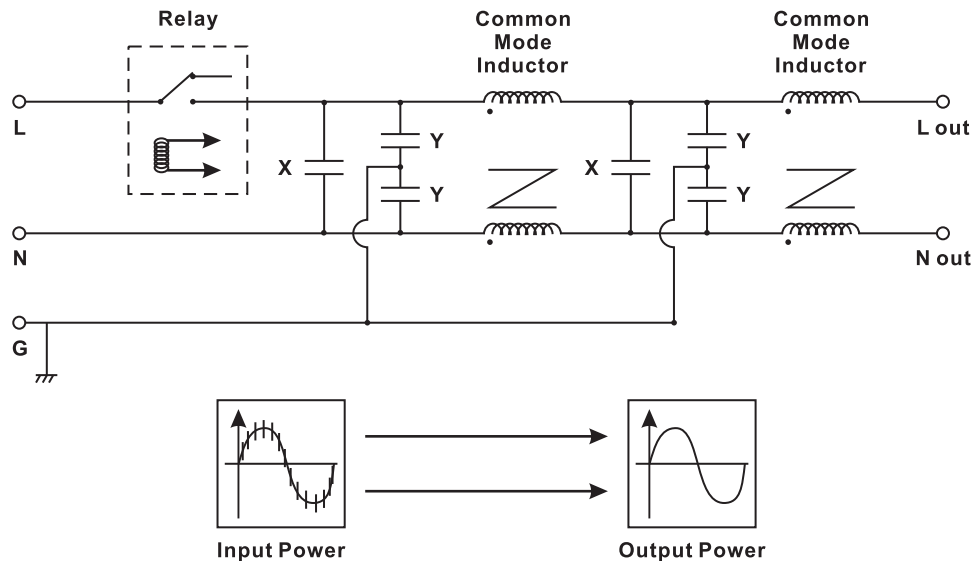


- Main power supply with standard American plug**
- Input Voltage Selective:** Power Supply Switch at 115V/60Hz or 230V/50Hz
- Outlets OUT1-OUT8:** Power outlet can carry 15AMP (RMS) each outlet, otherwise the unit is not safe.
- Remote Control link:** You can set a extra switch to replace the power switch to achieve the long distance control.
- LED for remote control:** Indicates the unit status, use it with Remote control.
- Link out:** Many unit works via link, if you want to link next unit, the lower unit should be connected here.
- Link in:** Many unit works via link, if you need to link up, then the upper unit should be connected here.

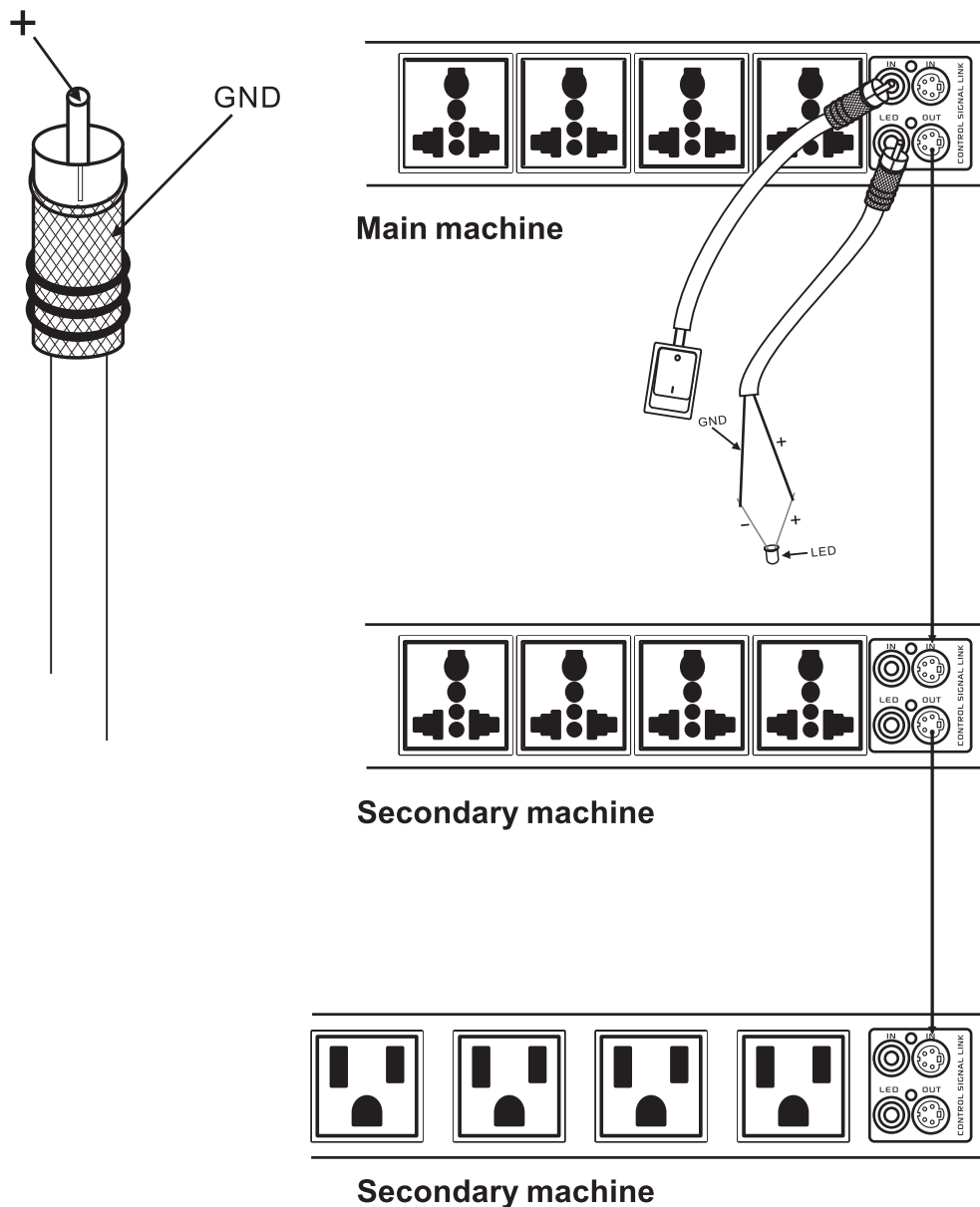
BLOCK DIAGRAM



Filter Schematic Diagram



Remote Control Link Diagram



WARNING:

This product can expose you to a chemical or group of chemicals, which may include "**Nickel Carbonate**" which is known in the state of California to cause cancer, birth defects, or other reproductive harm. For more info, go to <https://www.p65warnings.ca.gov/>.

Features:

- Power Supply Controller Sequencer System
- Audio Video (A/V) Power Conditioner
- Lab Tested Pro Audio Stage & Studio Performance
- Power Filter with 2-Stage High-Insert Dissipation
- Ensures the Safety of Electrical Equipment with Clean AC Power
- Noise/Interference/Distortion Eliminator Circuitry
- Integrated Micro-Controller for Precise AC Voltage and Ambient Temperature
- Independent Outlet Power Cut-Off Switch Control
- (8) US Standard Power Outlets On Rear Panel
- Selectable Power Sequence Switch Time
- Step Time Display in 8 Segment LED
- Sequence Switch LED
- Dual USB Device Charge Ports
- Digital LCD Display with Real-time Data Readout
- Front Panel Continuous 'Unswitched' Power Outlet
- Control Signal Link Connection
- Built-in Safety, Spike & Surge Overload Protection
- Multiple Unit Compatible Series Link Support
- Ability to Series Link Over 100+ Units
- LED Indicator Lights for Each Output on Front Panel

What's in the Box:

- Pro Audio Power Conditioner
- Link Cable: 6.6 ft.

Technical Specs:

- Outlet Type: (8) US Standard Power Outlets
- Output Power: 2200 Watt MAX
- Rack Mount Size: 1U
- Link Connector: S-Video, 4-Pin
- Sequence Switch Time Selectable: 2 Seconds / 0.5 Seconds
- Selectable Temperature Unit Readout: Fahrenheit / Celsius
- BNC Connector: 12V/0.5 Amp
- MAX Output Current: 15 Amp RMS
- MAX Output Voltage: 275 Volt
- Power Cable Length: 5.9' ft. (14 AWG)
- USB Power: 5V/2A (x2)
- Power Supply: 115/230V, Switchable
- Dimensions (L x W x H): 18.89" x 8.26" x 1.73" -inches