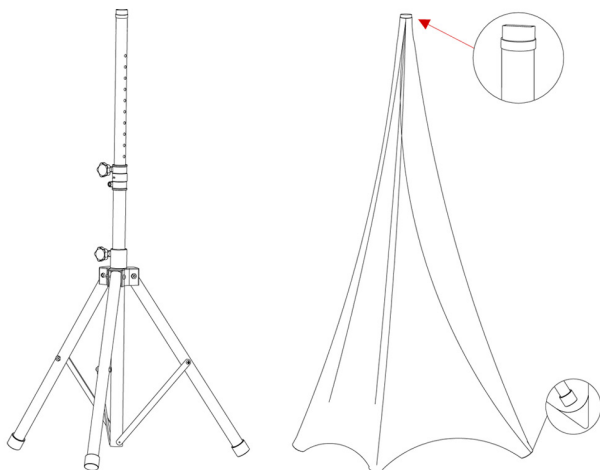


# 'PSCRIM' Series

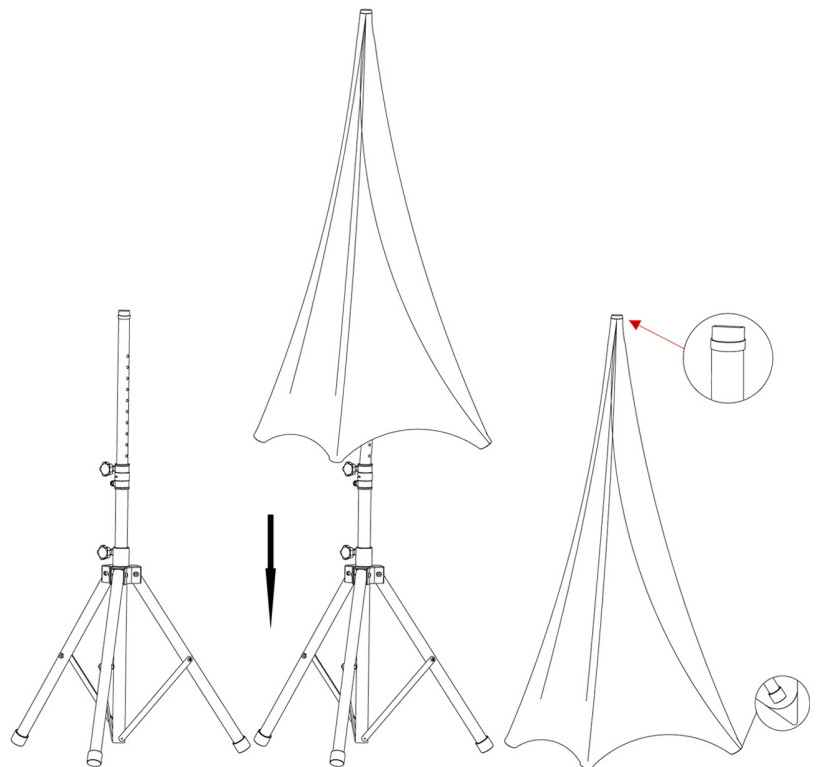
DJ Speaker / Light Stand Scrim, Universal Compatibility & Mountable, for Tripod Stands

| Model    | Type      | Color |
|----------|-----------|-------|
| PSCRIM2B | 2 - Sided | Black |
| PSCRIM2W | 2 - Sided | White |
| PSCRIM3B | 3 - Sided | Black |
| PSCRIM3W | 3 - Sided | White |



**PSCRIM2**

Included are velcro straps (along with extras). Spare straps are included for use on another stand. Affix the velcro strips to the pole of your stand after checking for suitable and compatible stand height. Apply the velcro straps then attach your scrim.



**PSCRIM3**