

SereneLife



PSLTLL1516

Electric Chainsaw

Corded Home Garden
Chainsaw Cutter (12" -inch)

USER MANUAL

Please carefully read and save these instructions before attempting to assemble, maintain, install, or operate this product. Observe all safety information to protect yourself and others. Failure to observe the instructions may result in property damage and/or personal injury. Please keep instructions for future reference.

IMPORTANT OPERATING INSTRUCTIONS

CALIFORNIA PROPOSITION 65

WARNING: You can create dust when you cut, sand, drill or grind materials such as wood, paint, metal, concrete, cement, or other masonry. This dust often contains chemicals known to cause cancer, birth defects or other reproductive harm. **Wear protective gear.**

WARNING: This product or its power cord may contain chemicals, including lead, known to the State of California to cause cancer and birth defects or other reproductive harm. **Wash hands after handling.**

Important!

When using equipment, a few safety precautions must be observed to avoid injuries and damage. Please read the complete operating manual with due care. Keep this manual in a safe place so that the information is available at all times. If you give the equipment to any other person, give them these operating instructions as well. We accept no liability for damage or accidents which arise due to non-observance of these instructions and the safety information herein.

CAUTION:

FOR YOUR OWN SAFETY READ INSTRUCTION MANUAL COMPLETELY AND CAREFULLY

BEFORE OPERATING THIS CHAINSAW

Any failures made in following the safety regulations and instructions may result in an electric shock, fire and/or serious injury.

SAFETY INSTRUCTIONS

Only allow users who have read and understand this manual to operate this chainsaw.

Wear protective gear, such as steel toed footwear, snugly fitting clothing, heavy duty gloves, eye protection (goggles or face screen), hard hat and ear protection (ear plugs or mufflers). Do not wear jewelry and pull your long hair back. Keep all body parts clear of the chain while the engine is running. Do not allow other people or animals near the saw when it is running, starting, or being operated. You must be mentally alert and in good physical condition when operating a chainsaw because the work is strenuous. Carefully plan your sawing project before starting. Do not begin until you are sure the work area is clean, you have secure footing and if you are felling trees, that you have a planned and clear retreat path.

KICKBACK

WARNING: Kickback is the backward, upward or sudden movement of the guide bar that occurs when the guide bar contacts an object or when the wood closes in and pinches the saw in the cut. The saw contacting a foreign object in the wood can also result in loss of control.

Rotational Kickback

Occurs when the moving chain contacts an object with the upper tip of the guide bar. This can cause the chain to dig into the object, which then stops the chain for a moment. The result is a reverse reaction, which kicks the guide bar up and back towards the operator.

Pinch Kickback

Occurs when the woods closes in on the moving chain along the top of the guide bar. The sudden stop of the chain results in the saw to move in the opposite direction of the rotation and the saw is driven straight back towards the operator.

Pull in occurs when the moving chain comes in contact with a foreign object in the wood along the bottom of the guide bar. This sudden stop pulls the saw forward and away from the operator and could possibly cause the operator to lose control of the saw.

Avoiding Kickback

Be aware of situations or objects that can cause the material to pinch the top of or stop the chain. Do not cut more than one log at a time. Do not twist the saw when the bar is withdrawn from an undercut. Always begin cutting with the engine at full speed and with the saw housing resting against the wood. Use wedges made of plastic or wood to hold the cut open. Never use metal. Stay alert. Realize kickback can occur and keep the cutting area free from foreign objects. Keep your chain properly tensioned and sharp, along with properly maintaining the chainsaw. Failure to do so can increase the chance of kickback occurring. Begin and continue the cut with the engine running at full speed. Use caution while re-entering a previous cut. Do not attempt a plunge cut (starting a cut with the tip of the blade).

Maintaining Control of the Chainsaw

Stand to the left of the saw. Keep your elbow locked and a firm grip on the saw. Keep the thumb on the underside of the handlebar. Never reverse hand positions (left hand on handlebar and right hand on the rear handle). Stand slightly to the left side of the saw to keep your body from being in a straight line with the saw. Stand with your weight evenly balanced between both feet. Do not overreach because you could be thrown off balance and lose control of the saw. Do not cut above shoulder height because it is difficult to maintain proper control of the saw at that height.

Operating Instructions

Operating Voltage: Be sure the voltage rating on the plate matches the electricity supply.

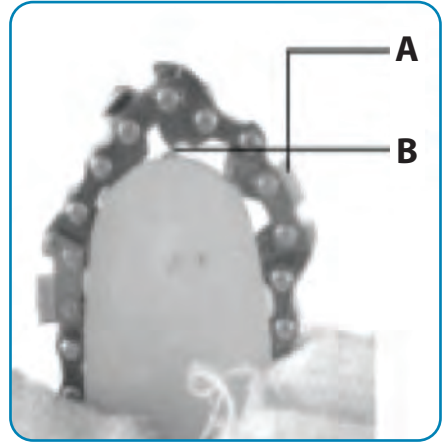
Fitting the guide bar and saw chain:

Make sure the chainsaw is disconnected from the power supply.

Wear gloves while working on the chainsaw to prevent injury to hands.

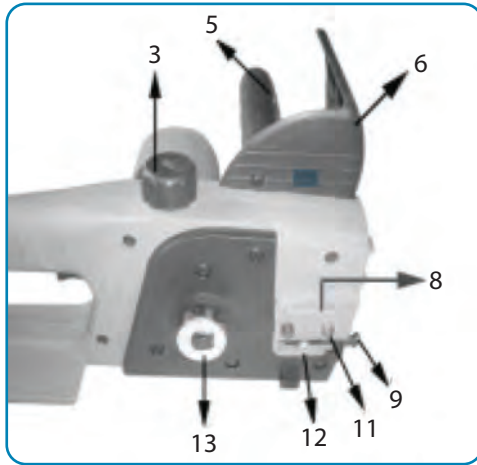
The chain must be fitted on the guide bar so that the cutting edges face in the direction that the chain runs.

Unscrew the nuts (2) and take off the drive sprocket cover (1)



Move the chain tensioning pin to the extreme left hand position by turning the screw counterclockwise as far as it will go. The chain must be fitted over the guide bar so that the cutting edges on cutters **(A)** face in the direction that the chain runs. The direction of the rotation of the chain is indicated by two arrows on the drive sprocket cover. Hold the guide bar with the nose pointing upwards and place the chain on the bar so that the teeth **(B)** on the nose sprocket of the bar engage the chain links and so that the bottom sections of the drive links are situated in the groove of the bar.

Put the chain around the drive sprocket (13) and place the guide bar so that the chain tensioning pin (12) engages in the hole in the bar.



Replace the drive sprocket cover and screw on the nuts, but do not tighten the nuts. With the nose guide bar turned upwards, turn the tensioning screw clockwise, which will tighten the slack in the chain. After tensioning the saw chain, turn the nose of the bar upwards and tighten the nuts firmly.

Lubricating oil for the saw chain.

Never use waste oil for lubricating the saw chain. Unscrew the filler cap and fill the tank with oil. Make sure no dirt gets into the container when filling with oil.

Power Supply Connection

The chain saw has been fitted with a short power lead to reduce the risk of lead being cut by the saw chain while working with the tool.

To prevent the plug from being pulled out of the coupler socket on the extension cord, fit the strain-relief strap between the plug on the saw's power cord and the coupler socket on the extension cord. Before plugging the extension cord, or saw's power cord into the socket, check for damage to the cord. Do not operate the chain saw with a damaged cord.

Turning ON and OFF

Running the saw for the first time:

Before starting to saw with a new chainsaw, run the saw for 2-3 minutes and then check the tension of the chain. Adjust the tension if necessary. The saw is provided with a safety device to keep it from being accidentally switched **ON**.

To Turn ON:

Grasp the handle with the left hand. Push the locking button at the left side of the switch handle with the thumb of the right hand. With the locking button depressed, squeeze the trigger and release the button

To Turn OFF:

Release the trigger. The locking button will return into the locked position.

Checking the Chain Lubrication:

Running the saw without proper chain lubrication will damage the chain and guide bar beyond repair. Always check the oil level before starting the saw. **Never run the saw without chain lubrication.**

To Check the Lubrication Level:

Turn **ON** the chainsaw and hold it while running with the guide bar and chain above a light colored area, such as a piece of newspaper. A steadily increasing oil spray stain shows that the lubricating system is working properly.

Guide Bar

A small amount of ball-bearing grease should be fed occasionally with a grease gun through the holes near the four rivets holding the nose sprocket to the guide bar. The bottom edge of the bar is exposed to heavy wear and should be turned when the chain is sharpened and when the groove in the bar is checked and oilholes are cleaned.

Drive Sprocket

If the teeth of the drive sprocket shows any sign of wear, the sprocket should be replaced. The sprocket should be changed with every second replacement of the chain.

CUTTING METHOD INSTRUCTIONS

Safety Instructions

Check the chain tension before using the saw for the first time and after 1 minute of operation. Do not cut any material other than wood. Do not cut metal, plastic, masonry, non-wood building materials, etc. If the chain strikes a foreign object, stop the saw and inspect the chain for damage. If damage is present, repair or replace the necessary parts. Keep the saw clear of dirt or sand because even a small amount could dull the blade and possibly cause kickback. Before starting a major project, practice cutting a few logs.

Important Operation Reminders

Allow the engine to reach full speed before cutting. Begin cutting with the saw frame resting against the log. Keep the engine at full speed the entire time you are cutting. Allow the chain to do the work for you. Do not apply excess pressure. Forcing the cut may cause damage to the engine, bar and/or chain. When the cut is complete, release the trigger and allow the engine to return to idle. Running the saw at full throttle without cutting can cause wear to the chainsaw. Do not put pressure on the saw at the end of a cut in order to maintain control of the saw. Stop the engine before setting down the saw.

Tree Felling

WARNING: Do not cut near buildings or electrical wires if the direction of the fall is uncertain. Check for broken or dead branches, which could fall while cutting. Do not cut at night or during bad weather. If the tree falls onto a utility line, notify the utility company immediately. Plan your sawing operation in advance. Clear the work area in order to have a secure

footing. Evaluate the natural conditions that could affect the direction of the fall such as wind, lean of the tree, weight and branches on one side, surrounding trees, decay and rot. Make sure the tree has enough room to fall. Keep a distance of at least 2 ½ tree lengths from the nearest person or object because engine noises or the tree falling can drown out warning calls. Remove all foreign objects from the tree where the cuts are going to be made. Plan a clear retreat path that is diagonally back from the line of the fall. **Felling Large Trees (6 in. or larger in diameter)** A notch is cut into the side of the tree in the desired falling direction. After a felling cut is made, the tree will tend to fall into the notch.

Note:

If the tree has large buttress roots, remove them before making the notch into the tree. If you use a chainsaw to remove the roots, keep the chain from contacting the ground to prevent the chain from dulling.

1. Make the notch by cutting the top of the notch first. Cut through 1/3 of the diameter of the tree. Complete the notch by cutting the bottom of the notch. Remove the notch of wood from the tree once the notch is cut.
2. After removing the wood, make the felling cut on the opposite side of the notch. Make a cut about two inches higher than the center of the notch. This will leave a hinge between the felling cut and the notch. The hinge will help prevent the tree from falling in the wrong direction. It also helps hold the tree on the stump and control the fall. Before the felling cut is complete, use wedges. If necessary, to open the cut and control the direction of the fall. Use wood or plastic wedges to avoid kickback and chain damage. Never use steel or iron wedges. Be alert to signs that the tree is about to fall, such as cracking sounds, widening of the felling cut, or movement in the branches. As the tree begins to fall, stop and put down the saw and quickly get away on your planned retreat path. Do not cut down a partially fallen tree. Be cautious when working around partially fallen trees because they may be poorly supported. If a tree does not fall completely, put the saw aside and pull down the tree with a cable winch, block and tackle or a tractor.

Cutting A Fallen Tree (Bucking)

WARNING: DO NOT stand on the log that is being cut. If the log rolls, it can cause loss of footing and control. Do not stand downhill of the log being cut. Only cut one log at a time. Cut shattered wood carefully. Sharp pieces of wood could possibly be thrown back towards the operator. Never allow another person to hold a small log for cutting, or use your leg or foot to hold it. Use a sawhorse to cut small logs. Do not cut in an area where logs, roots and limbs are tangled. Drag the logs into a clear area before cutting.

Types of Cutting for Bucking

WARNING: If a saw becomes pinched in a log, do not try to force it out. It is possible to lose control of the saw which can result in injury and/or damage to yourself or the saw. Stop the saw and drive a plastic or wood wedge into the cut until the saw can be removed. Restart the saw and re-enter the cut. Using a metal wedge can cause kickback and chain damage. Do not attempt to restart your saw when it is pinched in a log. Overcutting is when the bottom of the saw is against the top of the log. Use a light, downward pressure when overcutting.

Undercutting is when the log is cut from the underside with the top of the saw against the log. Use a light upward pressure. Hold the saw firmly and maintain control of the saw because it will tend to push backwards.

DO NOT turn the saw upside down to undercut. Control of the saw cannot be maintained in this position. Always make your first cut on the compression side of the log (where the pressure of the log's weight is concentrated).

Bucking Without A Support

Using an overcut, cut through $\frac{1}{3}$ the diameter of the log. Roll the log over and finish with a second overcut. Watch out for logs with a compression side to prevent the saw from being pinched.

Bucking Using A Log or Support Stand

Make your first cut on the compression side of the log and extend it 1/3 into the diameter of the log. Finish with a second cut.

Limbing and Pruning

WARNING: Be on alert for kickback. Keep the moving chain away from any other branches or objects when limbing or pruning. Never climb into a tree to limb or prune. Do not stand on ladders, platforms, other logs or in a position with unsteady footing.

Important Safety Reminders

- Work slowly with both hands gripping the saw.
Maintain balance and a secure footing.
- Use caution when cutting smaller limbs.
- Small limbs may catch in the chain and be flung towards you or throw you off balance.
- Watch out for branches that are under pressure or bent.
- When the wood is cut, the tension may cause the wood to be flung.
- Keep your work area clear.
- Clear away branches from the work area in order to avoid tripping over them

Limbing

Limbing should only be done when a tree is already cut down. Leave any large limbs under the tree for support as you work. Start at the base of the tree and work towards the top. Small limbs can be removed in one cut. Keep the tree between you and the chain. Cut opposite from the branch being cut. Remove any larger, supportive branches with the technique described in Bucking Without A Support. Always use an overcut to cut small and free hanging limbs. Do not use an undercut because it may cause limbs to fall and pinch the saw.

Pruning

WARNING: Do not prune limbs that are above shoulder height. If the branches are higher than your shoulder, have a professional perform the job. Make your first cut 1/3 of the way through the limb. Make the second cut all the way through the limb. The cut a third overcut through the branch, leaving a 1 - 2 inch collar from the trunk of the tree.

Limited Manufacturer Warranty

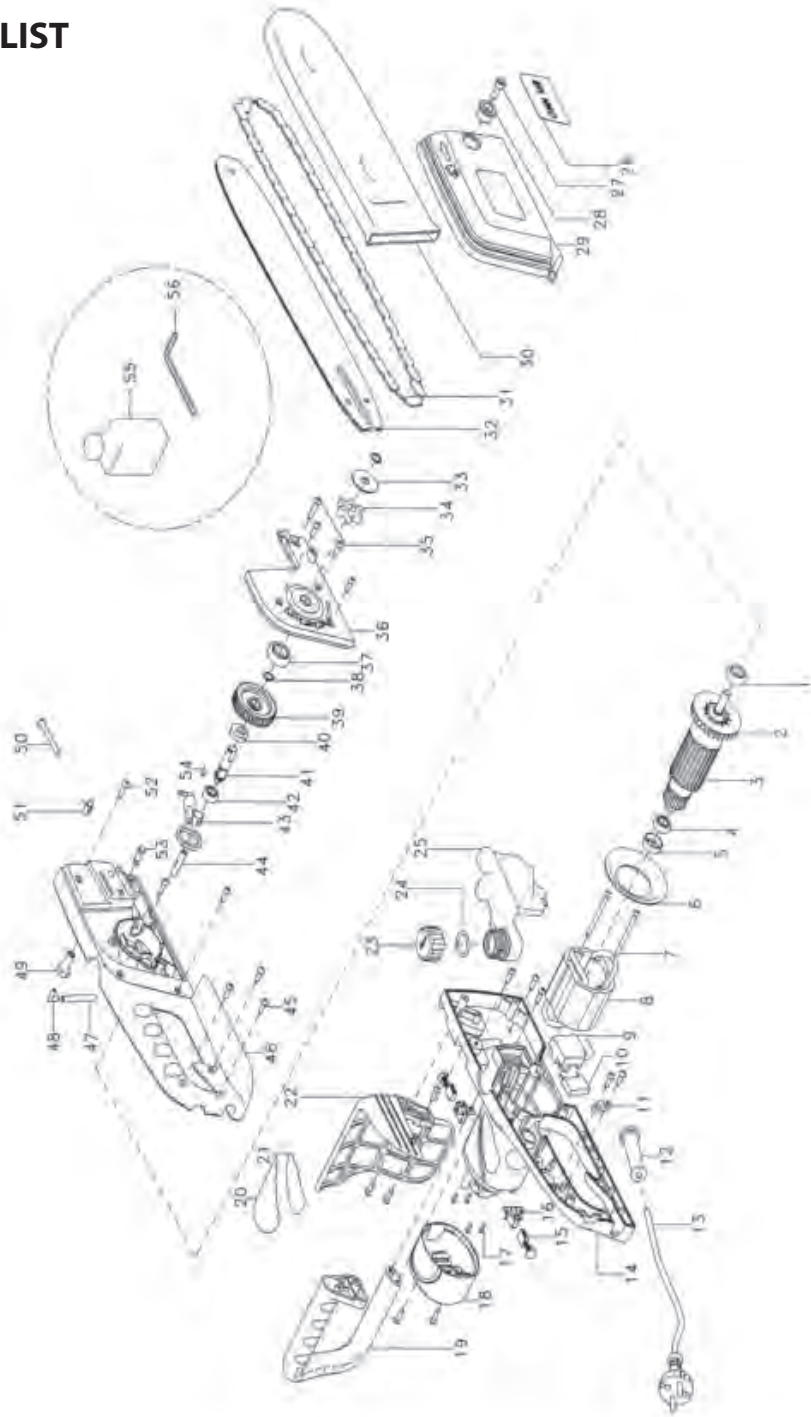
SereneLife makes every effort to ensure that this product meets high quality and durability standards. **SereneLife** warrants to the original retail consumer a 1-year limited warranty from the date the product was purchased at retail and each product is free from defects in materials. Warranty does not apply to defects due directly or indirectly to misuse, abuse, negligence or accidents, repairs or alterations, or a lack of maintenance.

SereneLife shall in no event be liable for death, injuries to persons or property, or for incidental, special or consequential damages arising from the use of our products.

To take advantage of this limited warranty, return the product at your expense together with your dated proof of purchase to an authorized **SereneLife** service center.

Contact your retailer or visit our web site at www.SereneLifeHome.com for an updated listing of our authorized service centers. In cooperation with our authorized serviced center, **SereneLife** will either repair or replace the product if any part or parts covered under this warranty which examination proves to be defective in workmanship or material during the warranty period.

PARTS LIST



PARTS LIST

NO.	Part Name	Quantity
1	608 bearing	1
2	Fan	1
3	Armature	1
4	Bearing 607	1
5	Shield Ring	1
6	Wind Shield	1
7	Screw	1
8	Stator	1
9	Switch	1
10	Capacitor	1
11	Anchorage (iron)	1
12	Coable Holder	1
13	Wire	1
14	Left Handle	1
15	Carbon Brushes	2
16	Brush Holder	2
17	Screw	4
18	Rear Cover	1
19	Front Handle	1
20	Lable 1	1
21	Lable 2	1
22	Brake Guard	1
23	Bottle Cap	1
24	O Ring	1
25	Oil Bottle	1
26	Lable 3	1
27	Hexagonal Bolt	1
28	Iron Washer	1

NO.	Part Name	Quantity
29	Sprocket Cover	1
30	Guide Plate Sheath	1
31	Chain	1
32	Guide Plate	1
33	Washer	1
34	Sprocket	1
35	Screw	1
36	Gear Box Cover	1
37	Bearing	1
38	Shield Ring	1
39	Big Gear	1
40	Helical Gear	1
41	Spindle	1
42	Bearing	1
43	Oil Pump System	1
44	Input Oil Pipe	1
45	Screw	18
46	Right Handle	1
47	Output Oil Pipe	1
48	Output Oil Nib	1
49	Bolt	1
50	Adjust Screw	1
51	Adjust Pin	1
52	Screw	1
53	Located Pole	1
54	Half Cyle Key	1
55	Oil Tank	1
56	Wrench	1

PSLTL1516

Electric Chainsaw

Corded Home Garden Chainsaw Cutter (12" -inch)

Features:

- Electric Chain-Saw Cutting System
- Landscaping Made Easy: Hassle-Free & Easy-to-Use
- High-Powered Cutting Motor
- Simple Electric, Corded Plug-in Operation
- Easy-to-Use, Hassle-Free Control
- Comfortable Handheld Grips
- Integrated Oil Container for Chain Lubrication
- Safety Lockout Power Cut-Off Switch
- Perfect for Trimming & Pruning: Trees, Branches, Shrubs, Bushes

What's in the Box:

- Electric Chainsaw
- Protective Blade Cover

Technical Specs:

- Power Output: 8A
- Cutting Blade Length: 12.0" -inches
- Chain Gauge: 0.05" -inches
- Chain Pitch: 3/8"
- Operation Speed: 3800 SPM
- Chain Drive Links: 45 Count
- Features: Tool-Less Chain Tensioning
- Construction Material: Metal Alloy Blade, PP
- Power Cord Length: 10.0' ft
- Power: 120V
- Total Unit Dimensions (L x W x H): 15.2" x 8.5" x 6.7" –inches
- Sold as: 1



SereneLife

