

# PSMRS08

Compact Microphone Isolation Shield  
Studio Mic Sound Dampening Foam Reflector

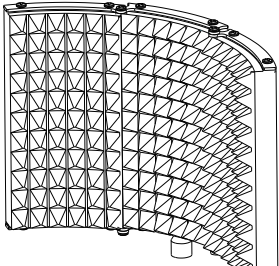

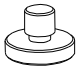
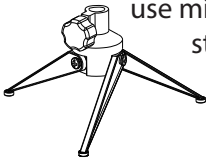

**PYLE**  
PyleUSA.com

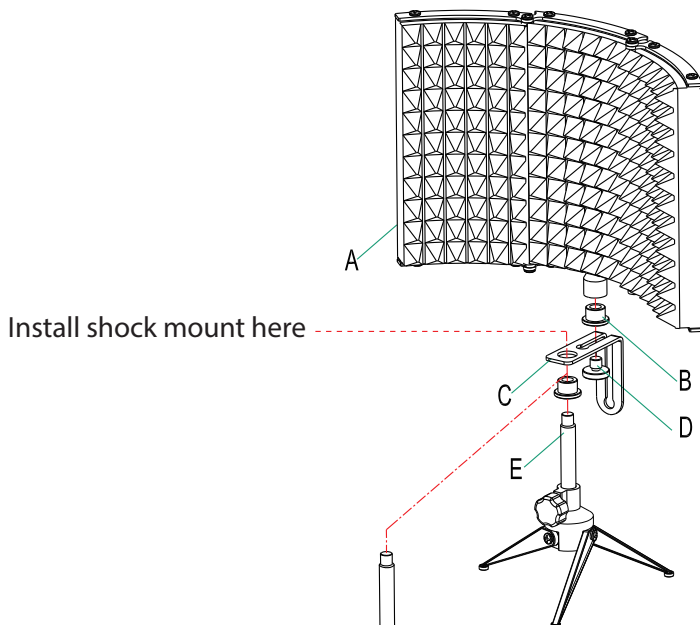
## User Manual

### PRODUCT DESCRIPTION

The PSMRS08 Sound Isolation Recording Shield features sound dampening foam that assists unwanted sounds from contaminating your recordings. The compact tabletop design shield creates an acoustic boundary around the microphone that improves vocal audio flow -- directing your voice to the containment area, and at the same time, preventing room reflections from directly entering the recording zone. The isolation shield will help you achieve a more crisp and clean sound, preferred by most music professionals. Unwanted outside audio waves and vibrations, also known as noise and interference, are shielded away from the recording area while your voice finds a clear path to your microphone. It's lightweight and portable so you can easily transport from the studio countertop to the recording booth. Get that studio-quality recording sound you've been looking for with the Pyle PSMRS08 Studio Soundproofing Foam Audio Shield. (Shock mount and microphone not included).



<b>A</b>	 Adjustable Panel	1	<b>C</b>	 Steel Track Sheet	1
			<b>D</b>	 Steel Knob with 3/8" thread male	1
			<b>E</b>	 Mini Tripod (you may also use microphone stand)	1
<b>B</b>	 3/8" to 5/8" Adapter	3			



### **Features:**

- Versatile Mic Recording & Sound Isolation Ability
- Portable and Compact Design
- Ready to Record: Quick & Easy Setup
- (3) Soundproofing Studio Foam 'Wedgie' Acoustic Tiles
- Angle & Depth Adjustable Absorption/Isolation Panels
- Height Adjustable: 13.2 - 15.6"
- High Density Noise-Absorbing Acoustic Foam
- Universal Standard 5/8" Microphone Threading
- Rugged & Heavy-Duty Shell Panel Construction
- Tri-Pod Base Design for Desktop/Tabletop Stability
- Perfect for Studio Recording, Podcasts, Vocals, Singing, etc.
- \*Shock Mount & Microphone Not Included
- Foam Color: Charcoal Gray
- Folds for Storage

### **Size/Dimensions:**

- Assembled Dimensions (L x W x H): 13.2" x 7.2" x 15.6"
- Sound Absorption Panel Thickness: 2" -inch

### **Questions? Issues?**

We are here to help!

Phone: (1) 718-535-1800

Email: [support@pyleusa.com](mailto:support@pyleusa.com)