

PYLE
PyleUSA.com



PSMSP5

5.25" Home Theater
Wooden Bookshelf Speakers

PSMSP6

6.5" Home Theater
Wooden Bookshelf Speakers

Wall-Mountable with 0.75" Silk Dome Tweeter
and Aluminum Voice Coils, Pair

USER GUIDE

To ensure you will be completely satisfied with this product, read and understand this manual carefully before use. Keep the manual in a safe place. The Operating Manual must be passed on to all subsequent users.

IMPORTANT SAFETY PRECAUTIONS



- Make sure to match your speaker and amplifier power ratings. Failure to do so can result in pennant damage to your speakers.
- Distortion is an indication that amplifier or speaker is operating beyond its design limits. If you hear distortion, immediately turn down the volume to avoid permanent damage.
- Do not place these speakers on an unstable cart, stand, bracket or table. The speaker may fall, causing serious injury to a child or adult and serious damage to the unit.
- Do not use these speakers near water; for example, near a bathtub, sink, in a wet basement, or near a swimming pool.
- The speakers should be situated away from heat sources such as radiators, heat registers, stoves, or other devices that produce heat.
- Clean only with a soft damp cloth.

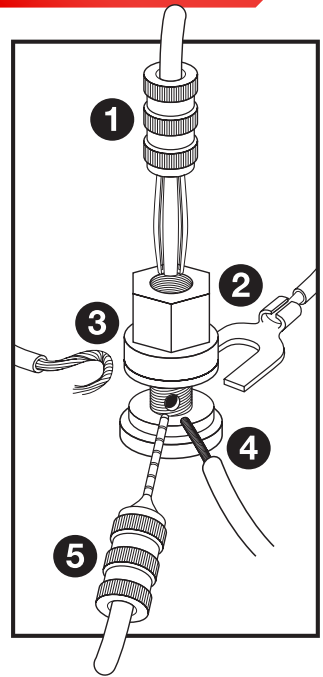
CONNECTING THE SPEAKERS

These speakers are passive and thus require an amplifier or receiver to give them power. They can be connected to any 4 or 8 ohm amplifier.

When using the **Home Theater Bookshelf Speakers** 4 ohm model, you can connect one speaker per amp channel. When using the 8 ohm model, you can connect up to 2 speakers per channel as long as your amp is 4 to 8 ohm capable. If your speakers are relatively close to the signal source (50 feet or less), 16 gauge wire can be used. For longer distances, 12 or 14 gauge wire is recommended. Be sure to observe proper polarity by ensuring that the wire from the red speaker terminal is connected to the red or positive terminal of the signal source and that the wire from the black speaker terminal is connected to the black or negative terminal of the signal source.

The **Home Theater Bookshelf Speakers** features 5-way binding posts which can accept various types of connections:

1. Banana plugs can be inserted into the open end of the binding post.
2. Spade terminals can be placed around the metal post and clamped by the screw down cap.
3. Looped wire can be wrapped around the binding post and clamped by the screw down cap.
4. Straight wire can be inserted into the hole drilled through the bottom of the binding post and clamped down by the screw cap.
5. Pin connectors can be inserted into the hole drilled through the bottom of the binding post and clamped down by the screw cap.



FEATURES

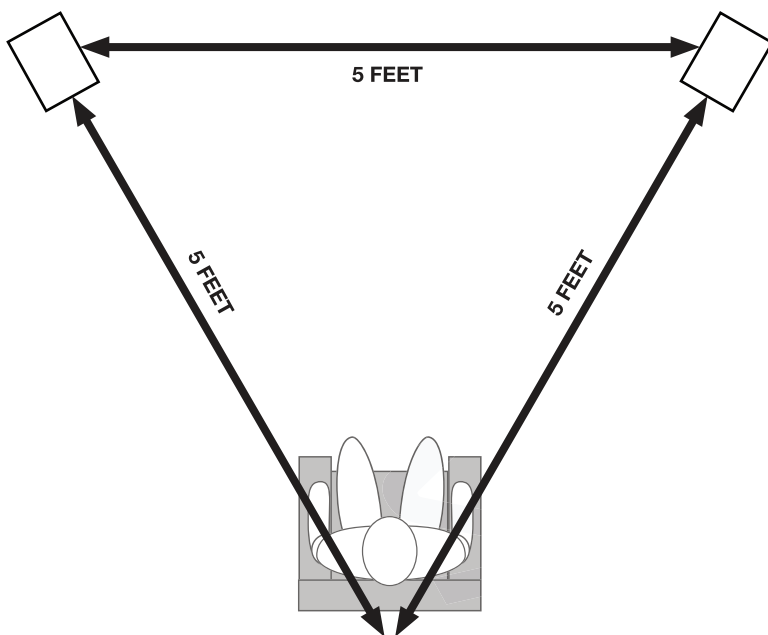
- Audiophile-Grade Black Woven Glass Fiber Woofer Cone
- Ultra-Stiff Polypropylene Dust Cap on Woofer
- Rubber Surrounds on Woofer
- Silk Dome Tweeter gives Crisp and Realistic Sounding Highs
- Gold-Plated 5-Way Binding Post Terminals can Accept Banana, Bare Wire, Spade Terminals and more
- Detachable Magnetic Grill
- Wall Mount Hanging Bracket
- 1" Aluminum Voice Coil

MAGNETIC GRILLS

The grills included with your **Home Theater Bookshelf Speakers** speakers use high strength magnets to hold them in place. They can be easily removed for cleaning or for aesthetic purposes. To remove them, place one finger on each top corner of the grill and gently pull the grill towards you. To replace, position the grill squarely over the face of the speaker and it will attach itself. Align the grill if needed.

POSITIONING THE SPEAKERS

To place the speakers, start with them placed directly in front of your primary listening position. Make sure the tweeters are as close to ear level as possible. As you are listening to music, make sure to pay close attention to the quality and separation of vocals and instruments. You can move the speakers closer together or further apart to optimize your listening experience, but make sure they are set as far away from the listener as each other.



Always listen to several musical selections so that you hear lows (bass), (vocals and horns), and highs (treble) from a variety of instruments and vocalists. Allow your speakers a "break in" period before permanently positioning them. **To break-in your speakers:** at a moderate to low level, play a variety of music through the speakers over a day or two.

This will help to prepare them for regular use and optimal performance.

CABINET CARE

The finish of your *Home Theater Bookshelf Speakers* speakers can be maintained by periodically wiping it down with a lightly dampened fiber cloth. The grills can be brushed or vacuumed to remove dust.

TROUBLESHOOTING

PROBLEM	SOLUTION
No sound	<ol style="list-style-type: none">1. Please make sure your speaker wires/connections are inserted completely into the speaker terminals and all connectors are properly seated.2. These speakers require power, please make sure your receiver has amplified speaker outputs. If it does not, we are happy to help you find the right receiver or amplifier for your set up. Email us at support@pyleusa.com.3. Please make sure your active audio source (cd, aux, tape, etc.) is selected on your receiver.

SPECIFICATIONS

- Construction Material: Top Quality 12mm MDF with Beautiful Wood Grain Finish
- MAX Power: 240W

PSMSP5

- RMS Power: 40W each, 80W per Pair
- Woofer: 5.25" Woven Glass Fiber Cone
- Tweeter: 0.75" Silk Dome Tweeter
- Crossover Slope: 12dB/Octave
- Frequency Response: 75Hz – 20KHz
- Sensitivity: 87dB 1W/1m
- Impedance: 8 ohms
- Product Dimensions (L x W x H): 10.6" x 6.3" x 6" -inches

PSMSP6

- RMS Power: 50W each, 100W per Pair
- Woofer: 6.5" Woven Glass Fiber Cone
- Tweeter: 0.75" Silk Dome Tweeter
- Crossover Slope: 12dB/Octave
- Frequency Response: 65Hz – 20KHz
- Sensitivity: 87dB 1W/1m
- Impedance: 8 ohms
- Product Dimensions (L x W x H): 11.8" x 7.1" x 6.4" -inches

PYLE

PyleUSA.com



VISIT US ONLINE:

Have a question?

Need service or repair?

Want to leave a comment?

PyleUSA.com/ContactUs

PYLE

Questions? Issues?

We are here to help!

Phone: (1) 718-535-1800

Email: support@pyleusa.com

California Prop 65 Warning

⚠️ WARNING:

This product contains Bisphenol A (BPA) which is known to the state of California to cause cancer birth defects and other reproductive harm. Do not ingest.

For more info go to: www.P65warnings.ca.gov