

PYLE
PyleUSA.com



VISIT US ONLINE:
*Have a question?
Need service or repair?
Want to leave a comment?*

PyleUSA.com/ContactUs

PYLE

Questions? Issues?

We are here to help!

Phone: (1) 718-535-1800

Email: support@pyleusa.com

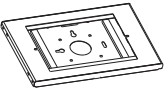

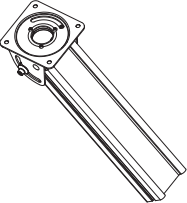
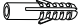
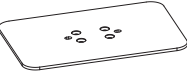



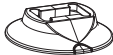





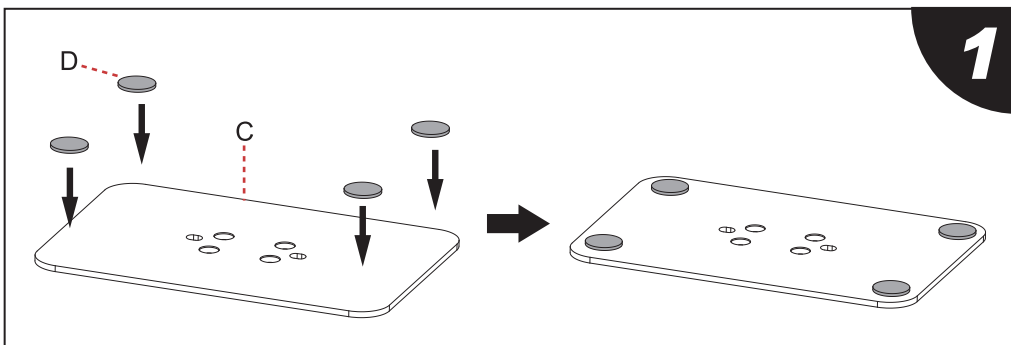
PSPADLK18

Full motion Anti-Theft Tablet Bracket

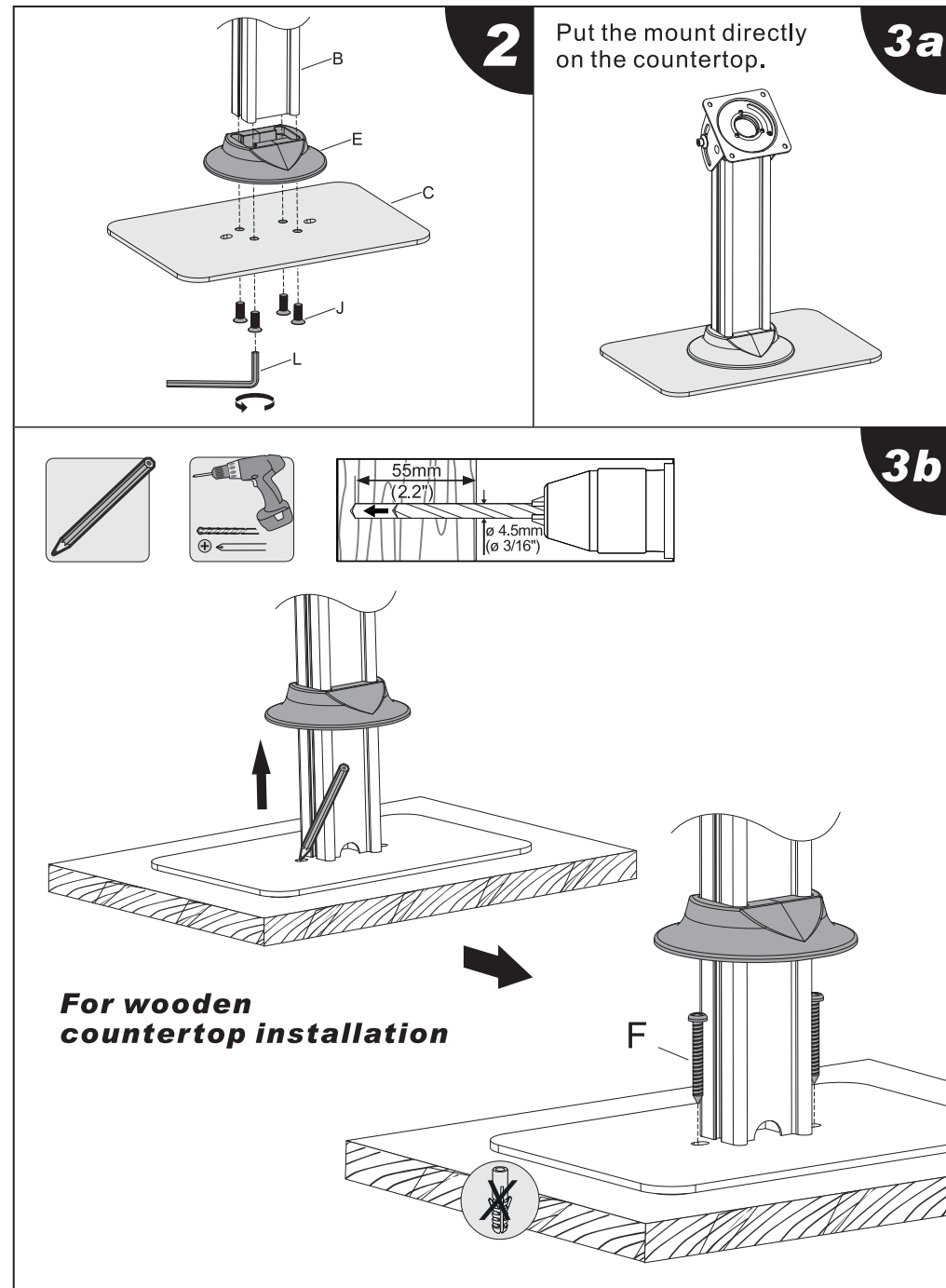
Fully Secured Case with Restricted Pin-Hole

User Manual

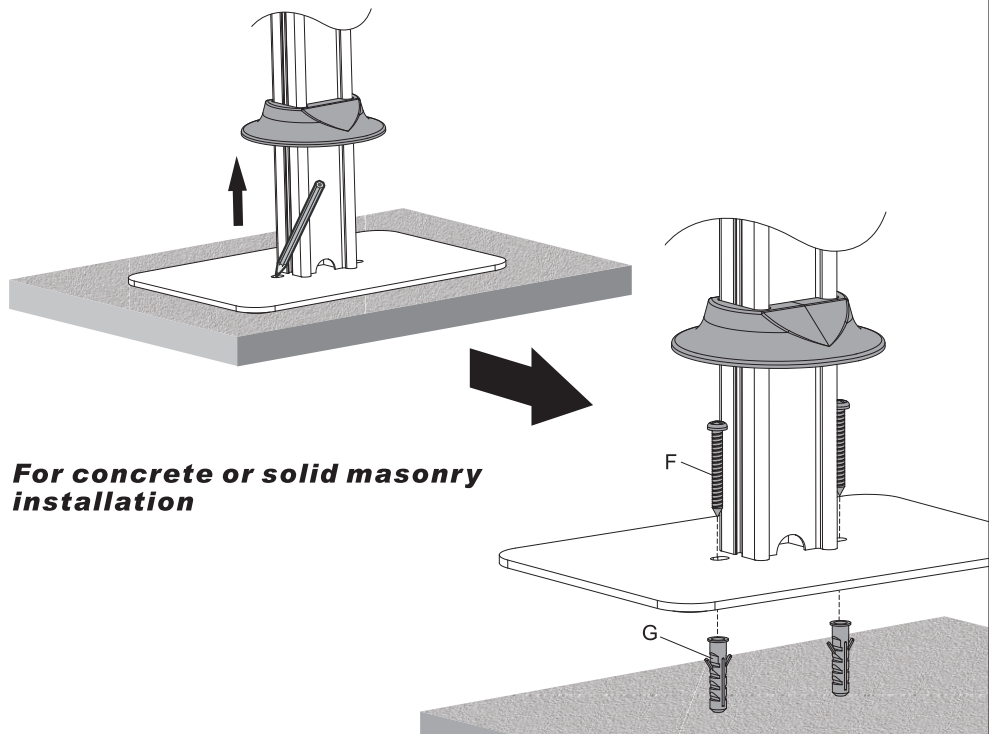
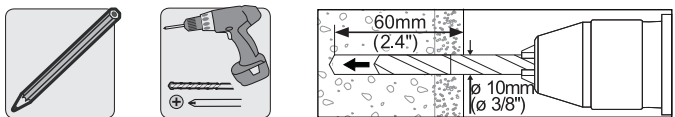
PART NO.	DESCRIPTION	QUANTITY	PART NO.	DESCRIPTION	QUANTITY
A	 enclosure	1	F	 ST6.3x55	2
B	 column	1	G	 expansion anchor	2
C	 base	1	H	 key	1
D	 rubber pad	4	I	 M5x6	4
E	 decorative cover	1	J	 M8x20	4
			K	 4mm Allen key	1
			L	 5mm Allen key	1



Samsung® and Samsung® product names / Apple® and Apple® product names referred to on the package and product information are trademarks or registered trademarks of Samsung Electronics Co., Ltd. / Apple Computer, Inc.. All other product names and services may be trademarks or service marks of their respective owners.
 Pictures of iPad / iPad Pro/ iPad Air / Samsung Galaxy Tab A (2019) are for illustration purpose only. The iPad / iPad Pro/ iPad Air / Samsung Galaxy Tab A (2019) are not included.

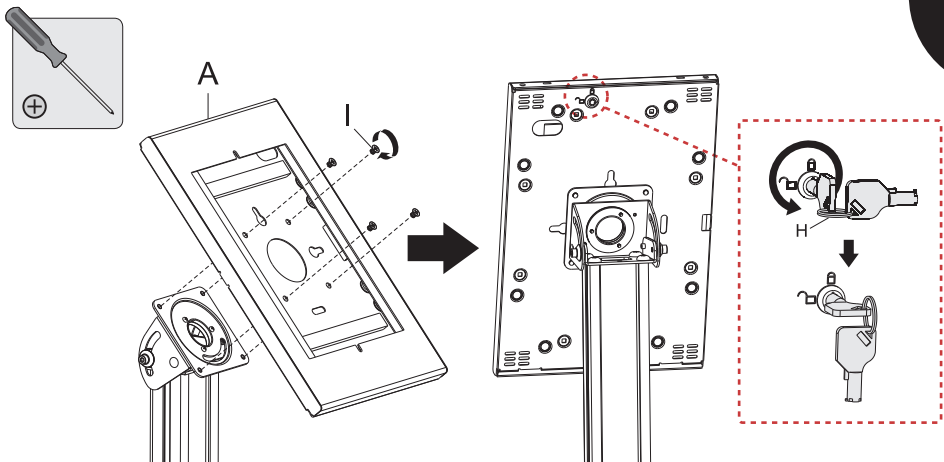


3c



For concrete or solid masonry installation

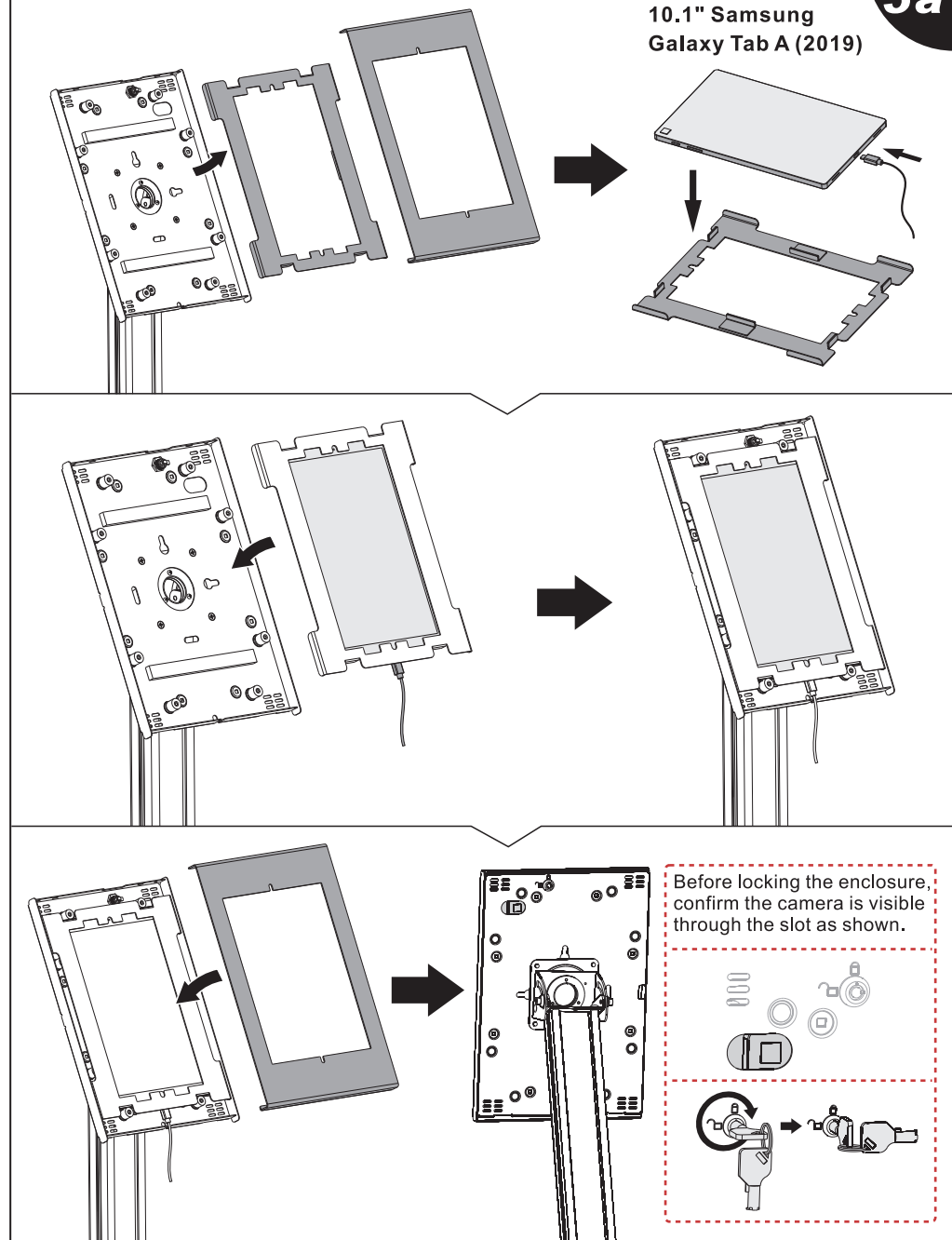
4



For 10.1" Samsung Galaxy Tab A (2019)

5a

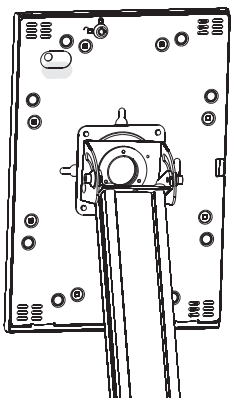
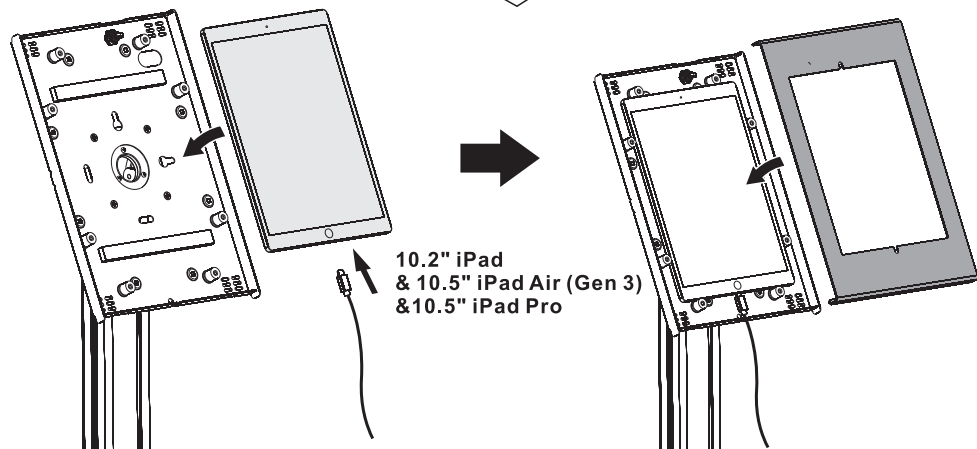
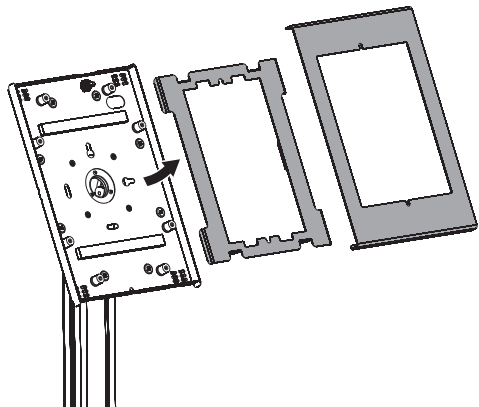
10.1" Samsung Galaxy Tab A (2019)



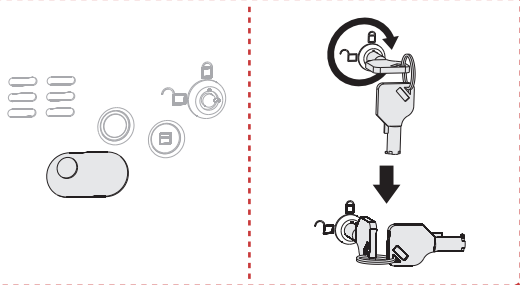
Before locking the enclosure, confirm the camera is visible through the slot as shown.

For 10.2" iPad & 10.5" iPad Air (Gen 3) & 10.5" iPad Pro

5b

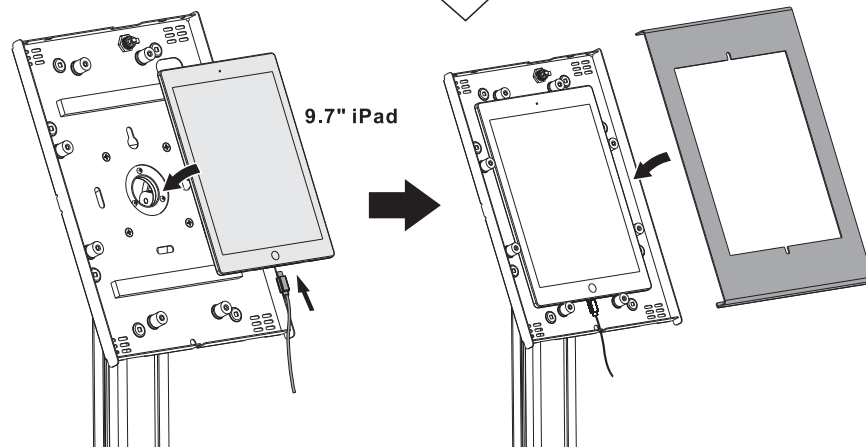
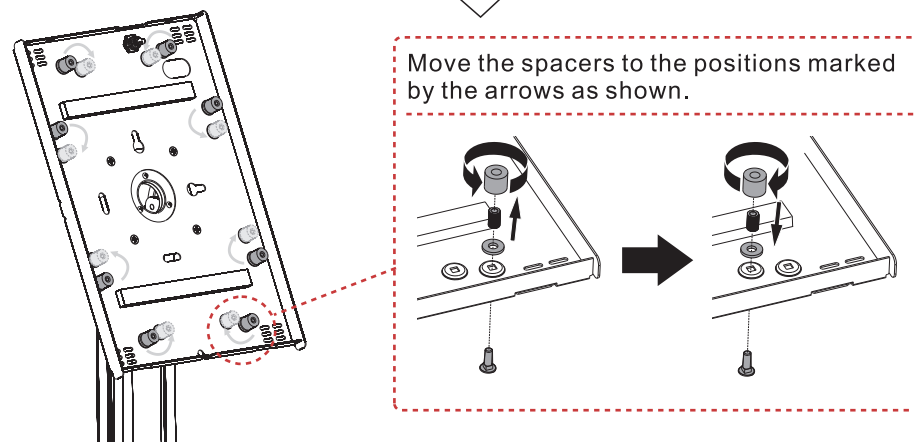
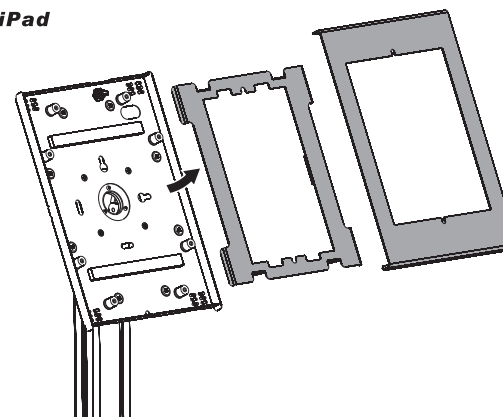


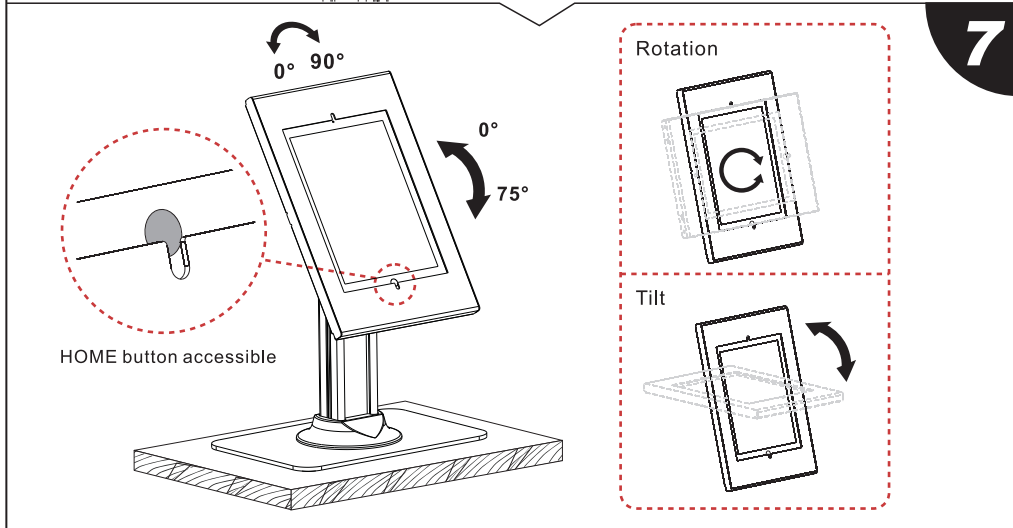
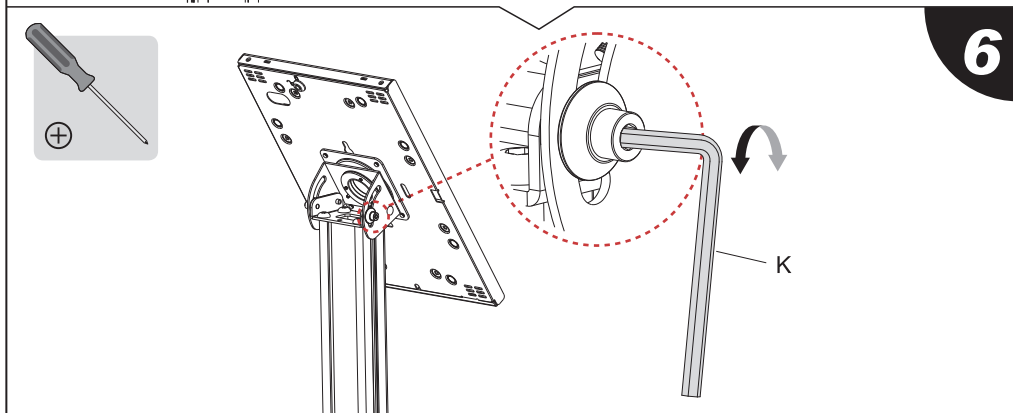
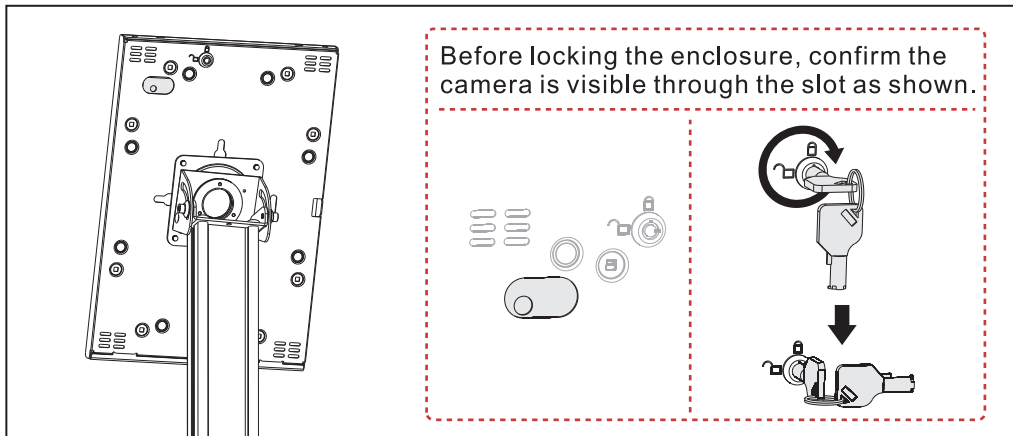
Before locking the enclosure, confirm the camera is visible through the slot as shown.



For 9.7" iPad

5c





Features:

- 90 Degrees Rotation Allows for Easy Set-Up of Portrait and Landscape Tablet Orientation
- Adjustable Bumper Guards Ensure a Perfect Fit
- Anti-theft Lock and Key Mechanism
- Smooth and Effortless 75 Degrees Tilt
- Choose to Either Allow or Block Access to Home Button
- Feed the Cable through the Stand for an Organized Look
- Keeps Tablet Safe and Allows Quick Removal
- Tamper-proof iPad Enclosure
- Fully Secured Case with Restricted Pin-Hole
- Compatible with iPad, iPad Air, iPad Pro, Samsung Galaxy Tab A (2019)
- Works with all iPads
- Front Facing Camera Accessible
- Interchangeable Base Plate
- Adjustable Padding for Compatibility
- Portable Stand with Cable Management for Any Counter Top

What's in the Box:

- Anti-Theft Tablet Bracket

Technical Specs:

- Construction Materials: Aluminum, Steel, and Engineered ABS
- Compatibility: iPad, iPad Air, iPad Pro, Samsung Galaxy Tab A (2019)
- Pole Height: 9 inches
- Dimensions Tablet Holder: 8.66" x 12.71" -inches
- Dimensions of Base: 11.81" x 7.87" -inches