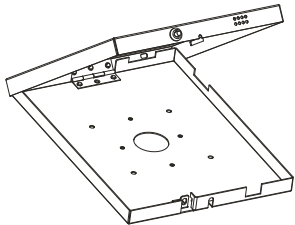
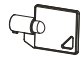






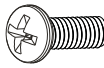

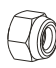
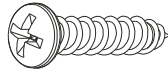
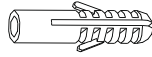

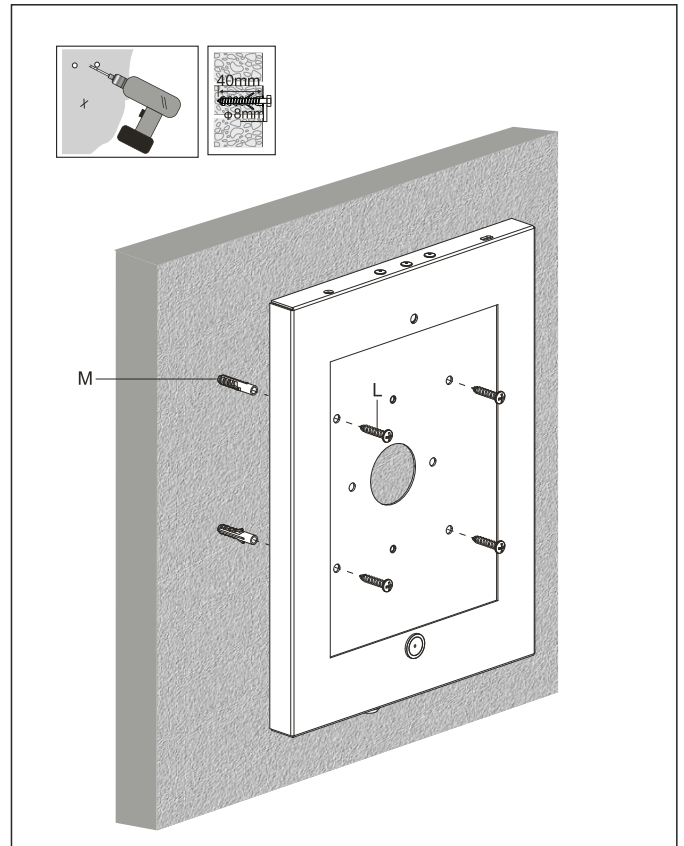
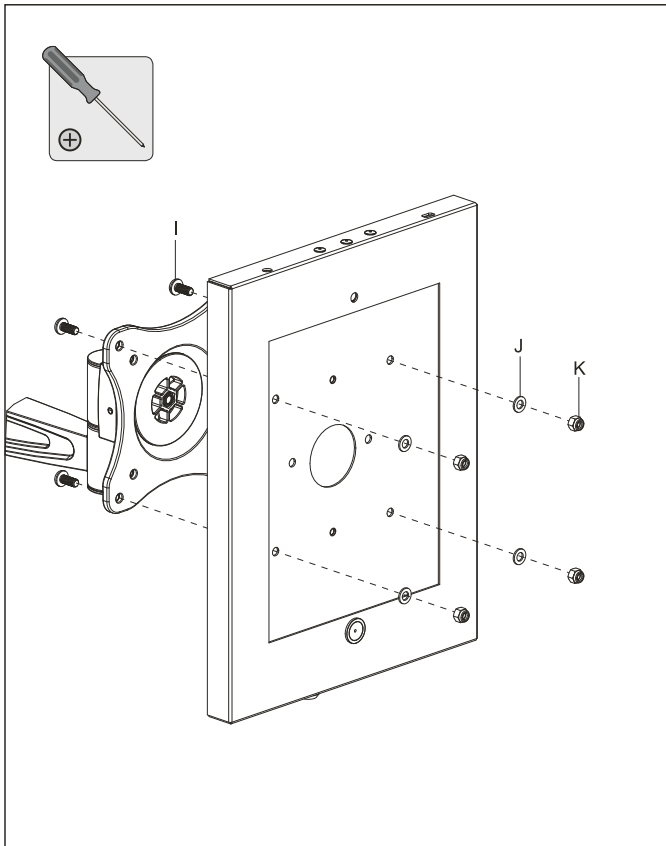


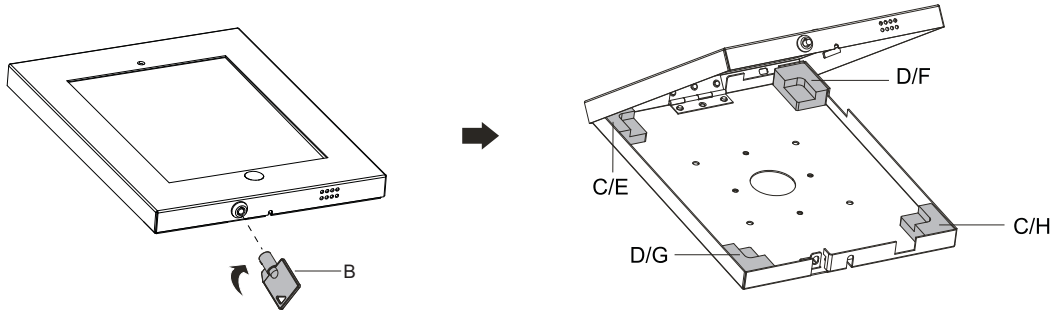
# Installation Instruction

ITEM	DESCRIPTION/PART NO.	QUANTITY
A	 case	1
B	 key	2
C	 silicone pad(A)	2
D	 silicone pad(B)	2
E	 silicone pad(C)	1
F	 silicone pad(D)	1
G	 silicone pad(E)	1
H	 silicone pad(F)	1

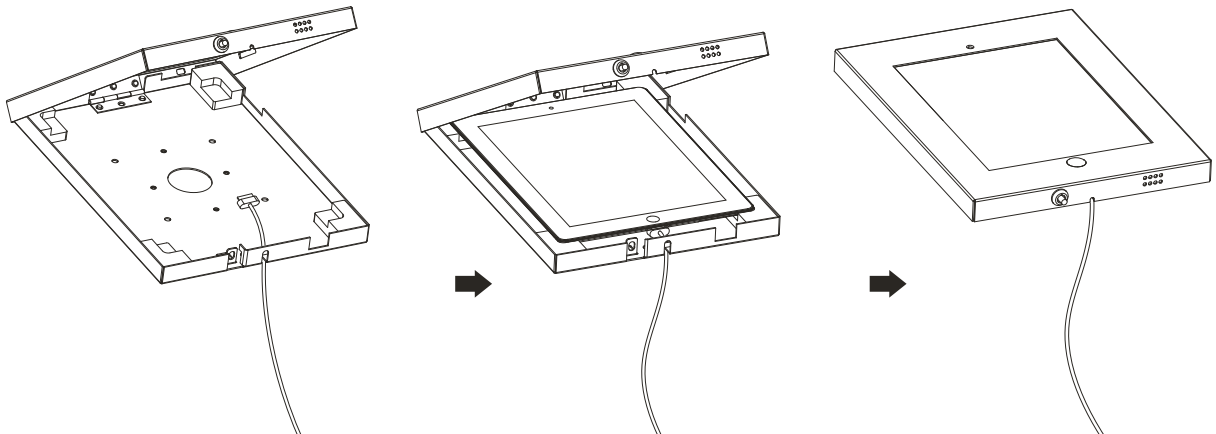
ITEM	DESCRIPTION/PART NO.	QUANTITY
I	 M5x12	4
J	 washer	4
K	 M5	4
L	 ST4.8x30	4
M	 concrete anchor	4
N	 button	1



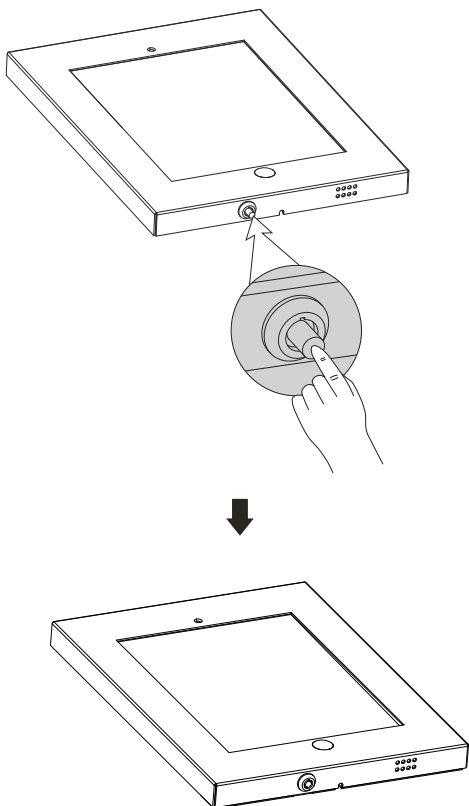
1



2



3



4

