
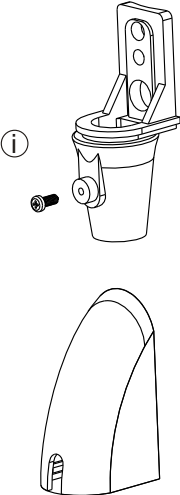
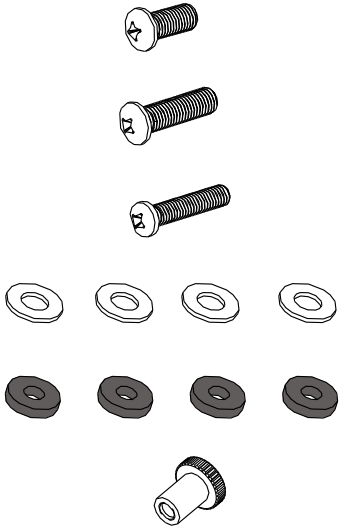
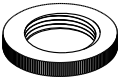
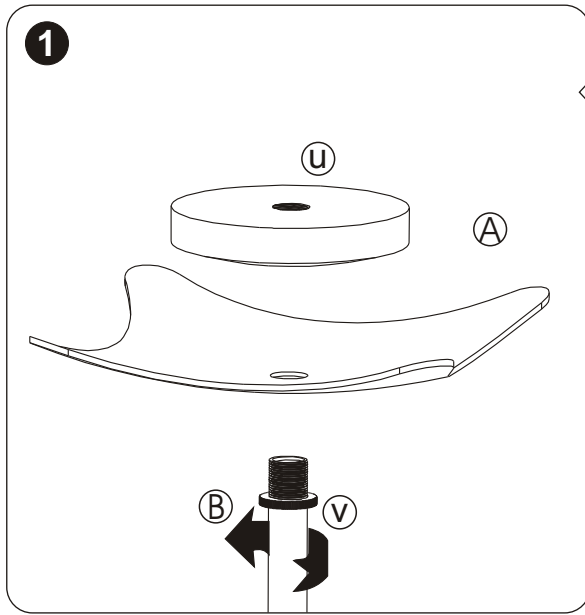
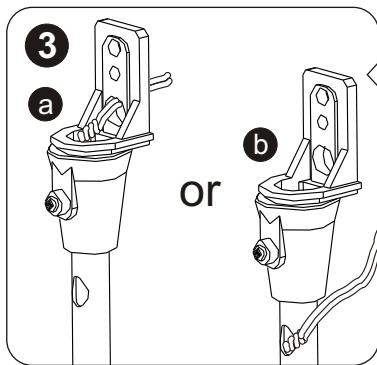
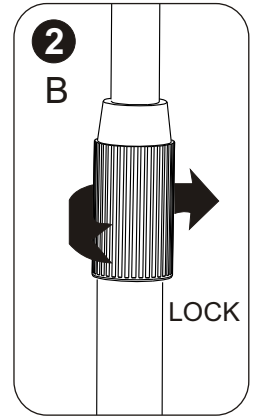
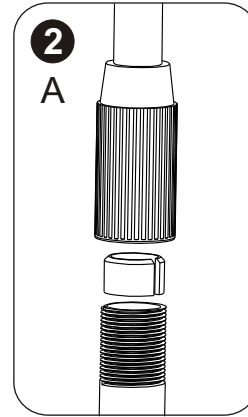
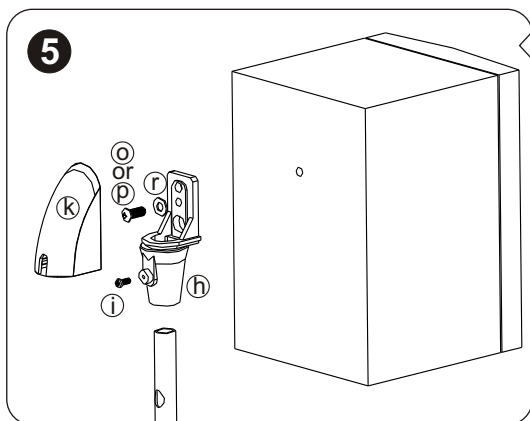
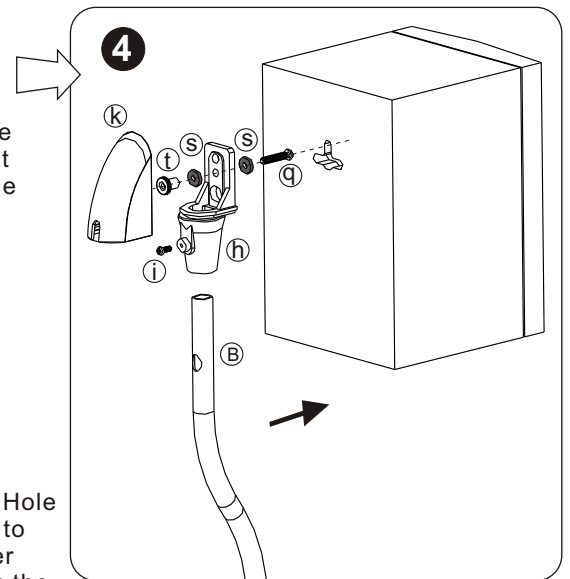
	<p>Ⓐ Metal base</p>	<p>2</p>
	<p>Ⓑ Tube with twist-lock</p>	<p>2</p>
	<p>⒣ Universal Bracket With remaining screw</p> <p>Ⓚ Universal Bracket cover</p>	<p>2</p> <p>2</p>
	<p>Ⓒ M5X12 SCREW</p> <p>Ⓓ M5X18 SCREW</p> <p>Ⓔ M4X20 SCREW</p> <p>Ⓛ M5 WASHER</p> <p>Ⓜ M4 WASHER</p> <p>Ⓝ THUMB NUT</p>	<p>4</p> <p>4</p> <p>2</p> <p>4</p> <p>4</p> <p>2</p>
	<p>Ⓗ HOLDER</p>	<p>2</p>
	<p>Ⓙ NUT</p>	<p>2</p>



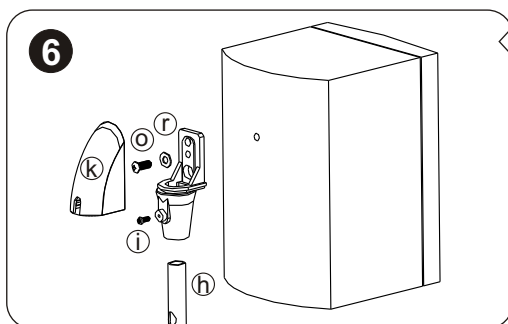
Insert assembled tube(B) into bas (A) and screw on holder. Turn counterclockwise to release sliding tube. Adjust to required height and re-tighten.



For Speakers with Key Hole Mount Please secure the universal bracket (h) to upright pole using screw (i). Thread speaker cable through pole and bracket as pictured in fig. 3a or 3b. Assemble thumbnut (t) washers and M4 screw (q) as shown. Attach speaker-tighten thumbnut. Install cover cap (k).



For Speakers with Threaded Hole Secure universal bracket (h) to upright screw (i). The speaker cable should be connected to the speaker and threaded through the upright as shown in fig. 3a or 3b. The speaker should be fixed to bracket (h) using washer (r) and either screw (o) or (p). Fit cover cap (k) if required.



For Acoustic Loudspeakers Attach universal bracket (h) to pole using screw (i) Feed cable down pole as shown in fig. 3a or 3b. Attach loudspeaker to bracket using screw (o) and washers (r). If required attach universal cover cap (k).

