



PSTND35

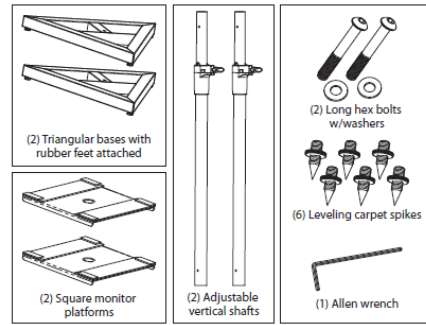
Heavy Duty Telescoping Height  
Adjustment Monitor Speaker Stand  
(Pair)

[www.pyleaudio.com](http://www.pyleaudio.com)



**PREPARATION:**

Remove the following parts from the box and identify all of the parts:



**ASSEMBLING:**

1. Take one long hex bolt and one washer and insert through hole in center of one triangular base on side with rubber feet.
2. Thread the long hex bolt into the bottom of one vertical shaft and tighten hex bolt with the provided Allen wrench to secure vertical shaft to triangular base.
3. Unthread and remove short hex bolt with washer located in the top of the vertical shaft.
4. Insert short hex bolt with washer through hole in the center of one monitor plate and thread into top of the vertical shaft. Secure monitor plate to vertical shaft with the Allen wrench.
5. Adjust monitor plate height by loosening large thumb knob on clutch housing and move upper shaft to desired height.
6. Insert safety pin all the way through vertical shaft at lowest hole exposed, allowing the safety pin to rest on clutch housing. Secure by tightening large thumb knob on clutch housing.
7. When placing stand on carpet, remove the rubber feet from triangular base and screw in three leveling carpet spikes. Adjust carpet spikes so that the monitor platform is level.
8. Repeat steps 1 thru 7 for second stand

