

Sonos Speaker Stand

PYLE
PyleUSA.com

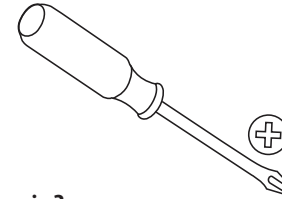


PSTNDSON23B - PSTNDSON23W USER MANUAL

IMPORTANT SAFETY INSTRUCTIONS – SAVE THESE INSTRUCTIONS – PLEASE READ ENTIRE MANUAL PRIOR TO USE

Before getting started, let's make sure this product is perfect for you!

1. Do you own a Sonos® PLAY:1™ or PLAY:3™ speaker?
The speaker stands are designed to support PLAY:1 and PLAY:3 speakers.
2. Do you have the tool that is needed?

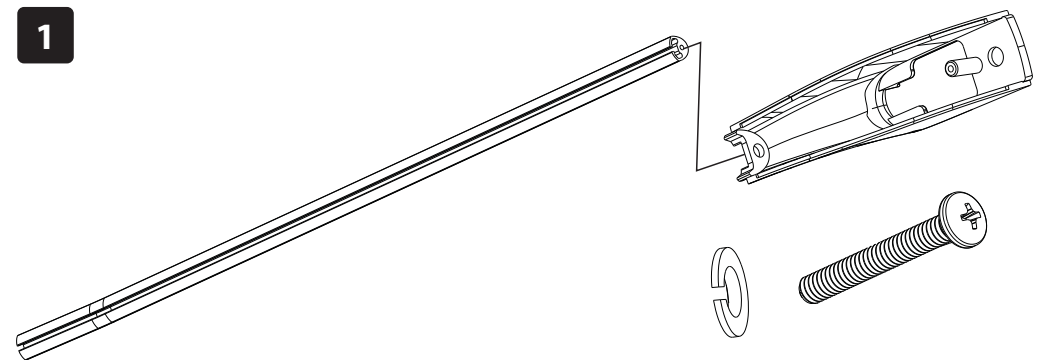


3. Ready to begin?

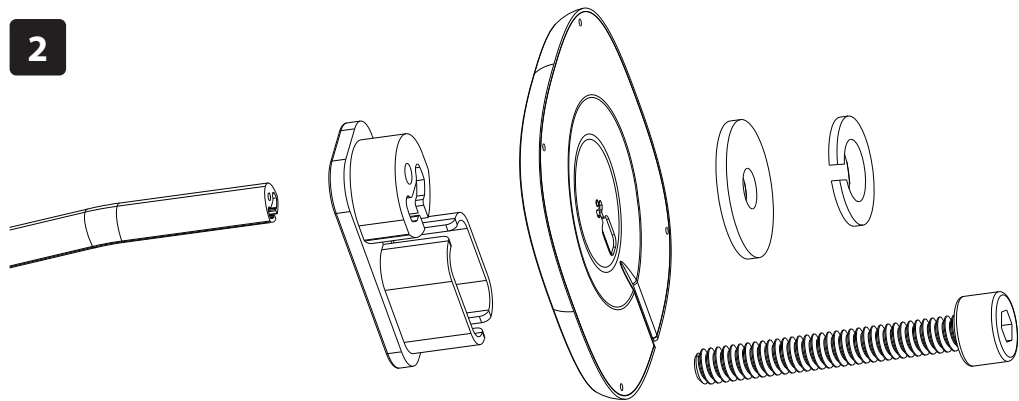
- Check your speaker owner's manual to see if there are any special requirements for mounting your speaker.
- Please read through these instructions completely to be sure you're comfortable with this easy install process.
- Do not use this product for any purpose not explicitly specified by manufacturer.
- Manufacturer is not responsible for damage or injury caused by incorrect assembly or use.
- If you do not understand these instructions or have doubts about the safety of the installation, assembly or use of this product, contact Customer Service.

PARTS LIST

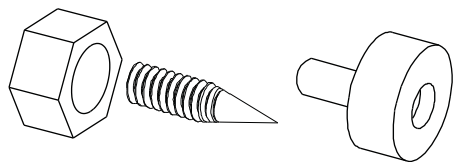
WARNING: This product contains small items that could be a choking hazard if swallowed. Before starting assembly, verify all parts are included and undamaged. If any parts are missing or damaged, do not return the damaged item to your dealer; contact Customer Service. **Never use damaged parts!**



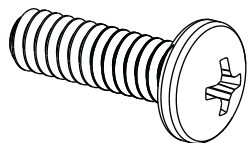
2



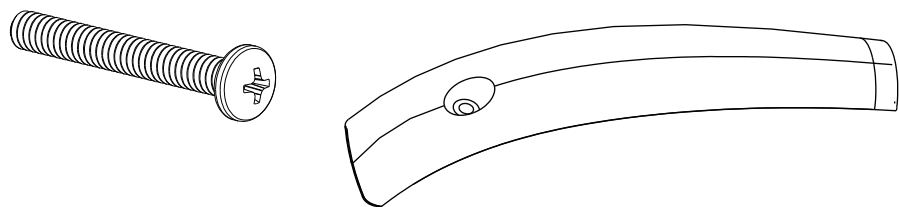
3



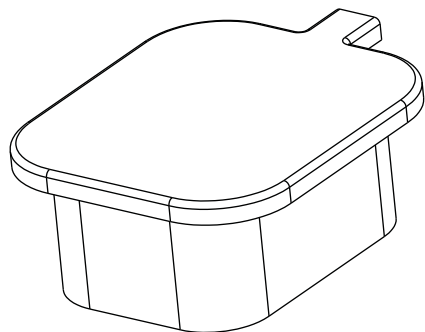
4



5

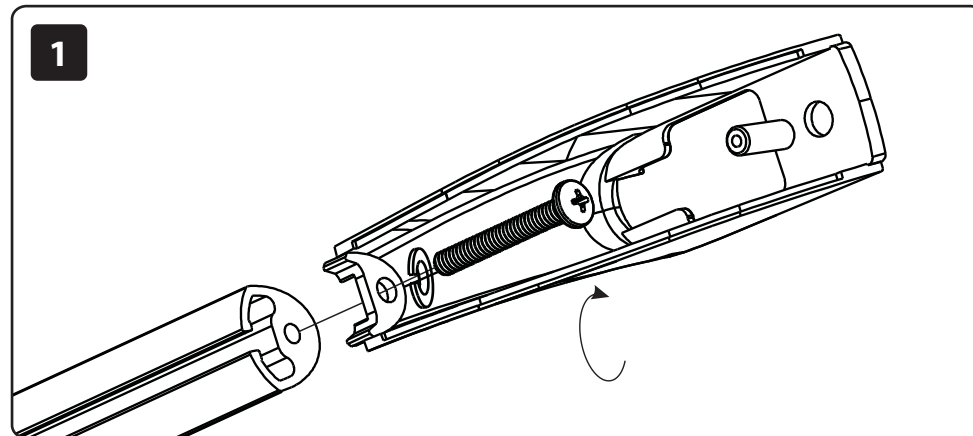


6

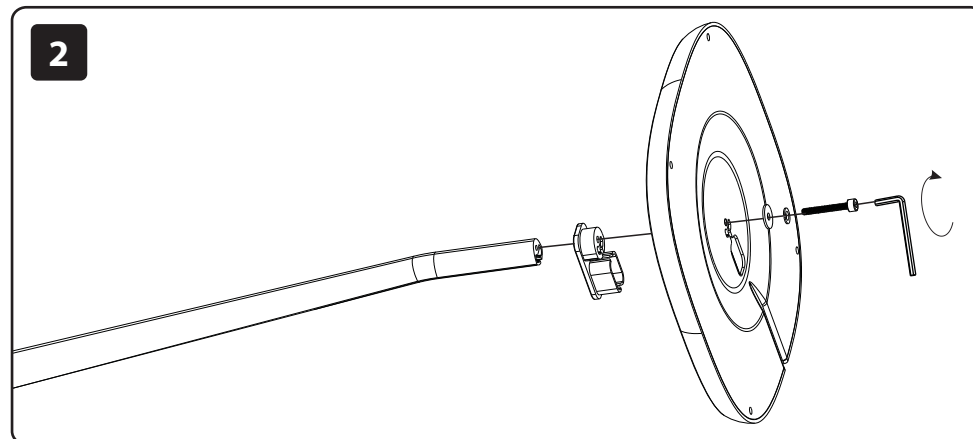


Installation

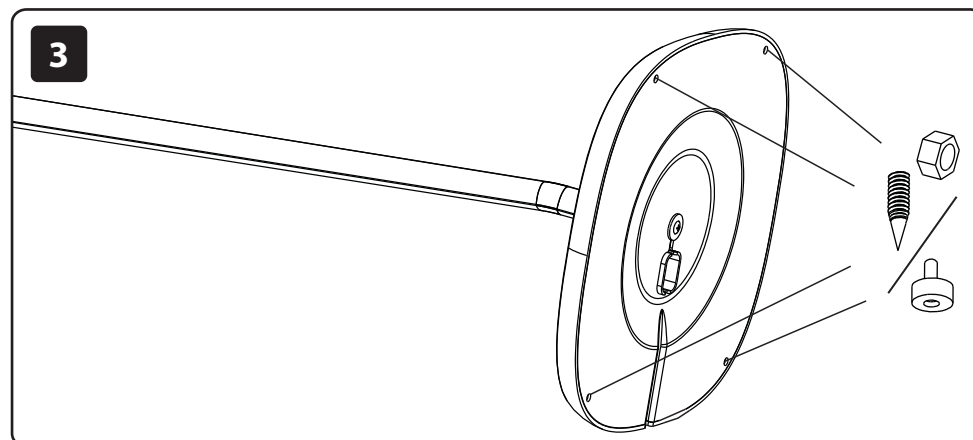
1

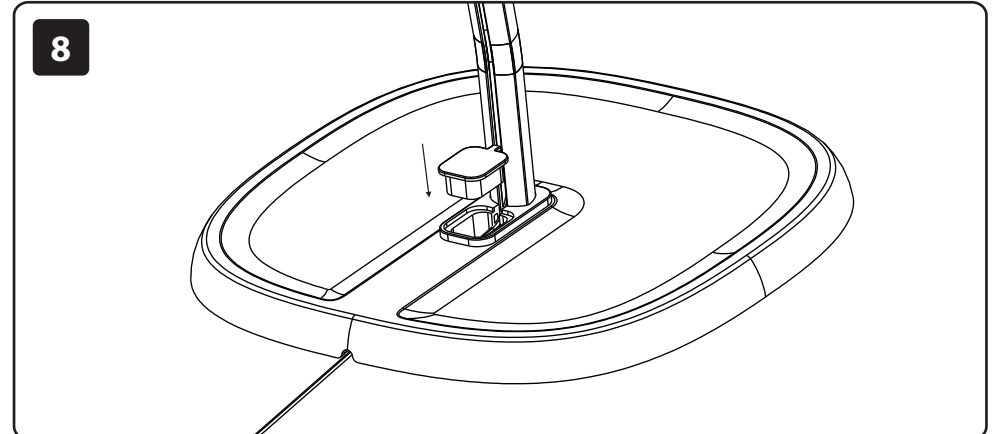
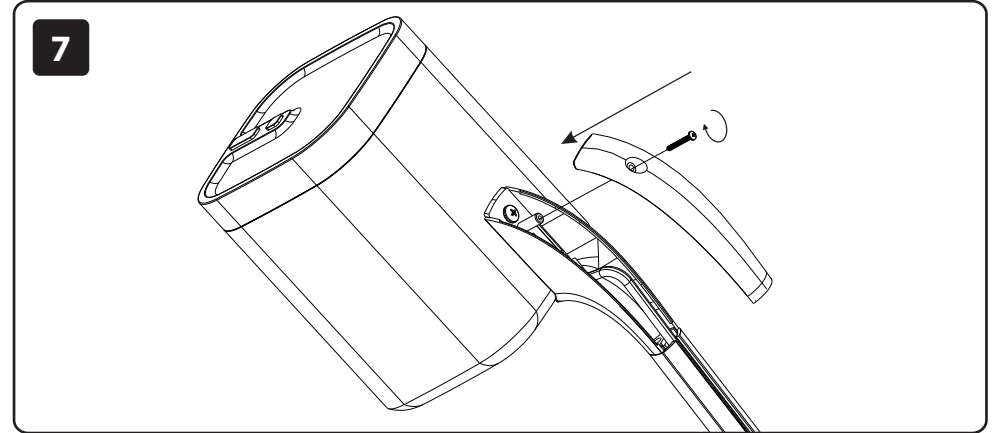
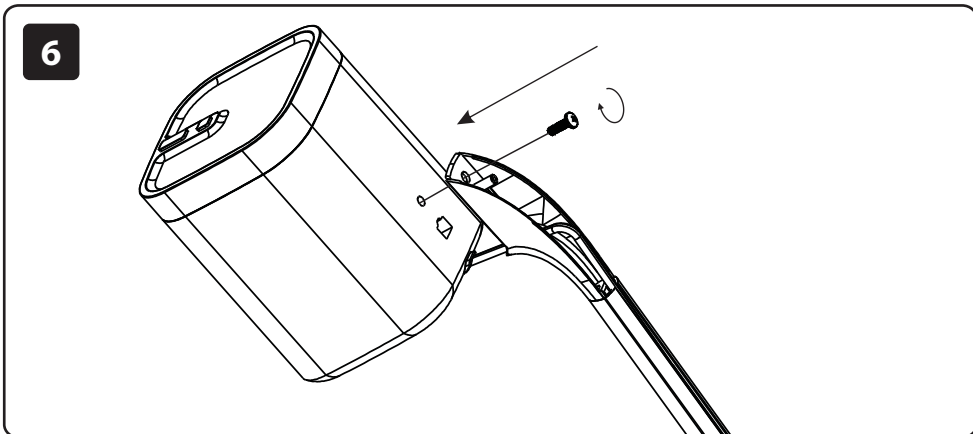
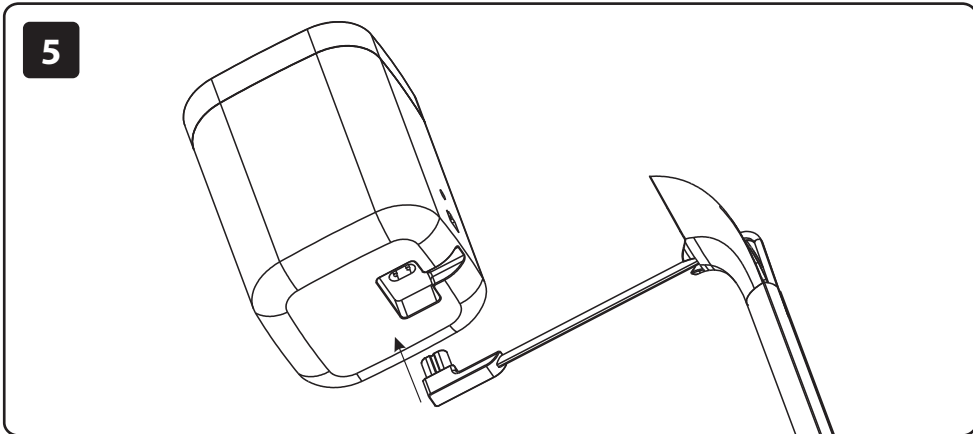
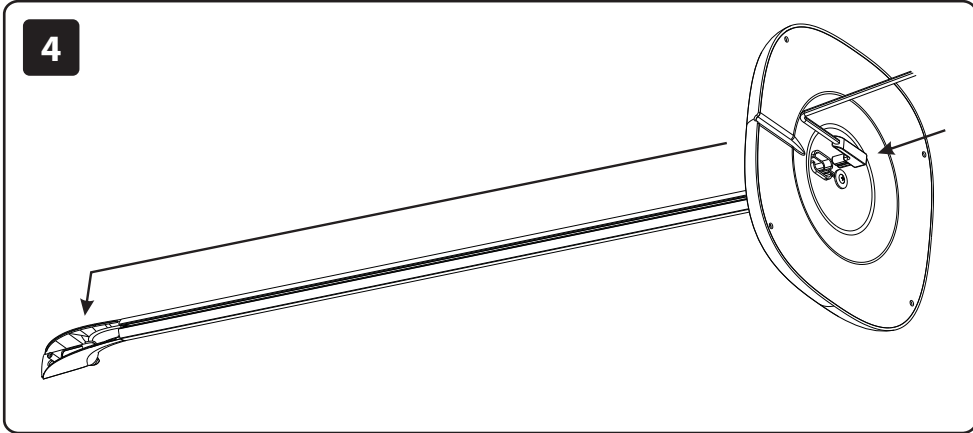


2



3





VISIT US ONLINE:

Have a question?

Need service or repair?

Want to leave a comment?

PyleUSA.com/ContactUs

PYLE