

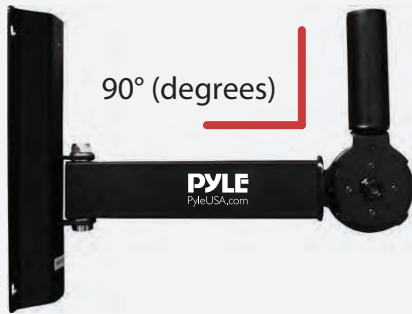
PSTNDW18

Dual Universal Adjustable Wall Mount Speaker Bracket Stands with Angle, Tilt, Rotation Adjustment (Pair)

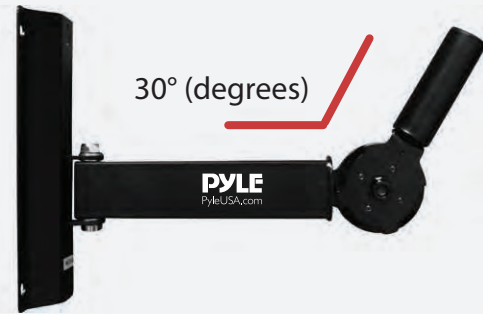
PYLE
PyleUSA.com

USER MANUAL

At upright 90° position, you can mount a 22" deep speaker cabinet.



At 30° tilt down position, you can mount a 30" deep speaker cabinet.



Adjustable tilt feature allows you to mount a 30" speaker cabinet

Installation Instructions:

Required Tools: socket or hand wrench, drill, drill bit, stud finder, pencil, level, tape measure, (4) 3/8" x 4" lag bolts

Step #1: Remove brackets from box.

Step #2: Check for stud location with a stud finder and place speaker bracket in desired location.

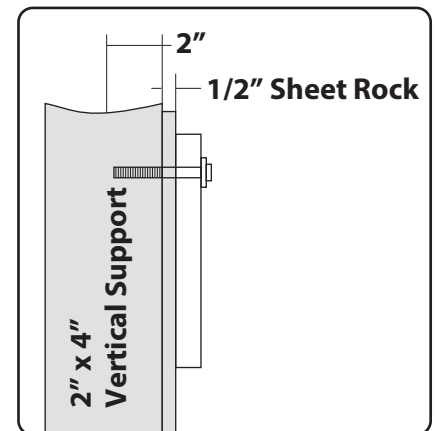
Step #3: Test that the bracket plate is level and mark the hole locations on the wall using the holes from bracket backer plate as a template.

Step #4: Drill proper mounting hole (smaller than outer thread diameter of your lag bolts) through wall into wood studs or concrete block. Hole depth should be properly drilled so that your lag bolt can go through the sheet rock and 2" into the stud.

Step #5: Place speaker bracket on wall and install 3/8" lag bolts (recommended) in the upper location. Securing tightly until the head of the lag bolt is firmly against the bracket. Repeat for bottom location.

Step #6: Before placing the speaker cabinet on the bracket, test installation by confirming the bracket will hold the weight of your speaker. If desired, tilt the angle of the bracket downward to the desired angle and tighten the bolts to lock in place.

Step #7: Place the speaker on the cabinet by inserting the vertical sleeve into the speaker cabinet's internal adapter. Be sure the speaker is secure before releasing it. Test installation with speaker in vertical and tilted positions to be sure the bracket stays firmly against the wall.



Features:

- Durable, Rugged & Reliable
- Safely Hangs Speakers on Flat Wall Surfaces
- Includes (2) Universal Speaker Bracket Wall Mounts
- Heavy-Duty Reinforced Solid Formed Steel
- Mounts Permanently and Securely in Most Environments
- Universal Standard 1-3/8" Insert Fits Most Speaker Cabinets
- Added Solid-Steel Pin Serves as Safety-Stop
- Mounts up to a 30" Speaker Cabinet Depth
- Includes Mounting Hardware (Screws & Anchors)

What's in the Box:

- (2) Wall Mount Speaker Brackets
- (2) Bags of 4 Screws, 4 Washers, and 4 Anchors

Technical Specs:

- Distance From Wall: 12.5" -inches
- Base: 5.25" X 9.9" -inches
- Tilt Angle Adjustment: 90°-30°
- Swivel Angle Adjustment: $\pm 30^\circ$
- Weight Capacity: 80 lbs.
- Construction Material: Steel
- Product Dimension (L x W x H):
13.39 x 5.32 x 9.84 inches

Questions? Issues?

We are here to help!

Phone: (1) 718-535-1800

Email: support@pyleusa.com

