

PYLE
PyleUSA.com



PSUB10A
10" Active Down-Firing Subwoofer
Ported Design with High-to-Low Input Level
Controller (Black)

USER GUIDE

INTRODUCTION

GENERAL DESCRIPTION

This user manual will provide you with useful and important information about your equipment. Please devote some time reading it and keep it at hand for future reference.

PSUB10A is ideal for adding music to home, office, schools, restaurants or cafe. It is the perfect addition to any home theater system. The down-firing sub delivers bass more evenly throughout the room. This subwoofer delivers realistic, room-shaking home theater bass effects.

UNPACKING

Pyle PSUB10A products are built under strict quality guidelines and supervision, according to the highest standards.

When unpacking your product, carefully examine it for any signs of possible transit damage and inform your dealer immediately if any such damage has occurred. It is suggested that you retain the original packaging so that the product can be repacked in the future when necessary.

What's in the Box:

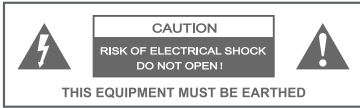
- Main Speakers
- Power Cord

SAFETY FIRST

Please take some time to review the following statements concerning safe use of your Pyle PSUB10A

- **Read these instructions**
- **Keep these instructions**
- **Heed all warnings**
- **Follow all instructions**
- Use the equipment only for its intended purpose as instructed in this manual
- Before installing, observe the applicable safety regulations for your country
- Always check if the equipment is installed securely and will not fall
- Do not place any objects on top of the speaker
- Never install close to ignition or heat sources such as radiators, ovens or any other apparatus that produce heat.
- Do not use your speaker near any sources of water, like swimming pools, lakes, water streams, exposed to rain, high humidity environments or any other source of water or moisture.
- Never place your speaker in a way that prevents air flow near the amplifier. A minimum clearance distance of 20cm should be kept between the amplifier and any near surface.
- If the equipment is not functioning properly or has been damaged in any way, switch it off immediately.
- Do not open or try to service the equipment. It may only be repaired by authorized, qualified personnel
- Clean the equipment using only a clean dry cloth
- Do not operate the unit for an extended period with the sound distorting.

WARNINGS



CAUTION:

Never remove the cover, because otherwise there may be a risk of electric shock. There are no user serviceable parts inside. Have repairs carried out only by qualified service personnel.

The lightning flash with arrowhead symbol within an equilateral triangle is intended to alert the user to the presence of uninsulated “**dangerous voltage**” within the product's enclosure that may be of sufficient magnitude to constitute a risk of electrical shock.

The exclamation mark within an equilateral triangle is intended to alert the user to the presence of important operating and maintenance instructions.

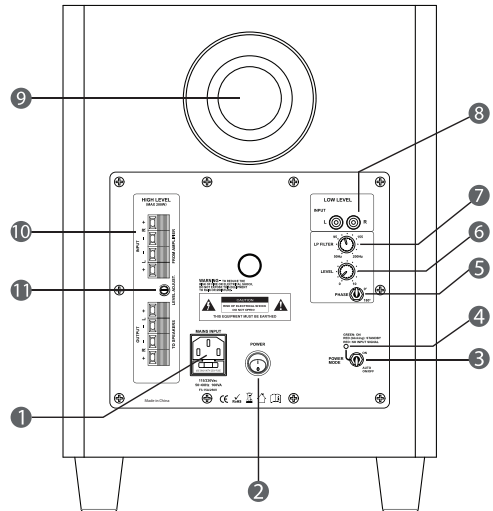


CAUTION:

This equipment is intended for professional use. Therefore, commercial use of this equipment is subject to the respectively applicable national accident prevention rules and regulations. As a manufacturer, it is obligated to notify you formally about the existence of potential health risks. Hearing damage due to high volume and prolonged exposure.

When in use, this product is capable of producing high sound-pressure levels (SPL) that can lead to irreversible hearing damage in performers, employees, and audience members. For this reason, avoid prolonged exposure to volumes in excess of 90dB.

GETTING STARTED OVERVIEW



1. IEC Mains Power Plug

AC 115V/230V, frequency from 50 to 60Hz

2. Power On/Off Switch

3. Power Mode: Standby Switch

When switched to “**ON**” the speaker will always be powered on and active. If switched to “**Auto ON/OFF**” after 15 minutes idle and without audio signal input the subwoofer enters standby mode. It becomes active with the audio input signal.

4. Power Mode LED

This LED indicates which is the current mode of operation and it's behavior depending on the Power Mode switch (3): Green: Subwoofer ON and active with audio input signal Solid Red: Subwoofer ON and without audio input signal for at least 5 seconds Blinking Red: Subwoofer in Standby mode. The S10 enters standby mode after 15 minutes idle without audio signal input

5. Phase Control Switch

This switch determines if the speaker cone should move in and out at the same time as the main speakers or inverted. The objective is to keep the soundwaves in phase as most as possible. If the system components are working "**out of phase**", soundwaves from one component may partially cancel the soundwaves from another, especially in the lower frequencies region, reducing bass performance and sonic impact. This phenomenon depends on many factors like the positioning of the various components relative to each other and to the listener

6. Volume Level Knob

Rotate clockwise to increase volume or anti-clockwise to decrease volume

7. Low-Pass Filter Frequency Adjust Knob

Adjust the cutoff frequency from 50Hz to 200Hz.

8. Line IN RCA Plugs

9. Boss-Reflex Port

10. High Level Inputs/Outputs

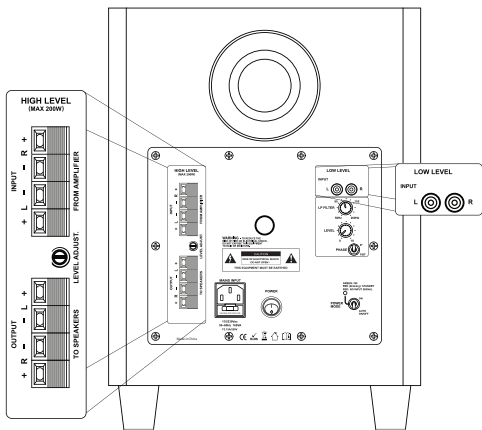
Feed audio to your active subwoofer directly from your HI-FI amplifier's output. Connect your passive satellites to the S10's high level output

11. High Level Input Control

This Potentiometer controls the subwoofer's input level from the high level inputs. Adjust it to the desired audio input level.

CONNECTIONS

The speaker can be connected in one of two methods. It can be connected through the ordinary line input method using the RCA plugs. These inputs are summed to mono. This is the preferred way to connect your subwoofer. If you have a mono line signal from a digital receiver use the right "**red**" input (the output level will decrease -6dB). When connecting a receiver to the speaker, one can either use the Subwoofer's dedicated output of the receiver if there exists one, or you can use a normal unfiltered mono or stereo output. If the line input is not possible, the speaker can be inserted between the main amplifier and the left and right main speakers using the high level inputs/outputs. Do not connect both ways at the same time, only one is required.

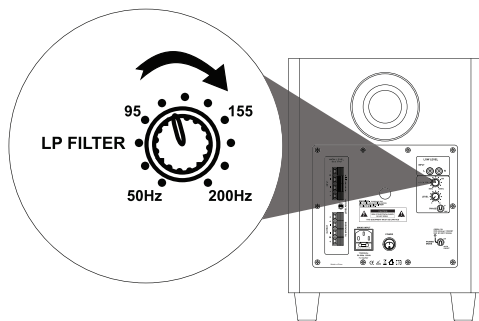
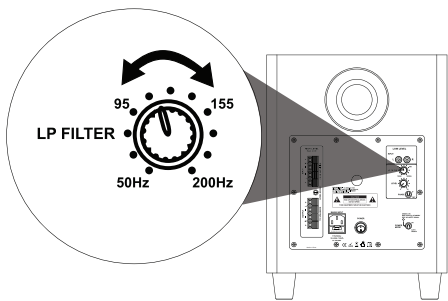
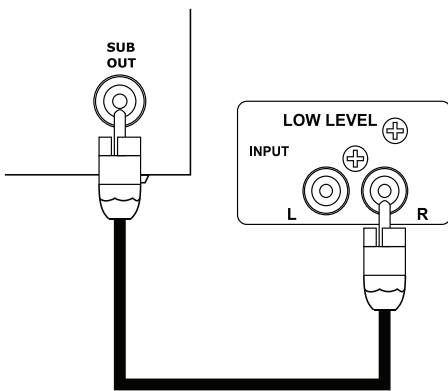
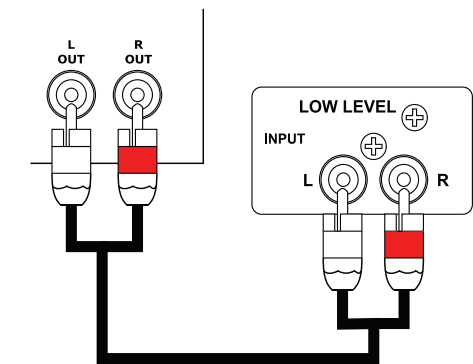


HANDS ON SUBWOOFER OUTPUT FROM RECEIVER

When connecting the speaker to a receiver with a lowpass filtered subwoofer dedicated output, be sure to turn the crossover frequency to the maximum. In this manner we bypass the speaker internal crossover, so it does not interfere with the already processed signal. Consult your receiver's user manual for other possible relevant information on speaker setup. It may be necessary to intervene with your processor configuration. For example, it may be necessary to change your subwoofer settings from off to on.

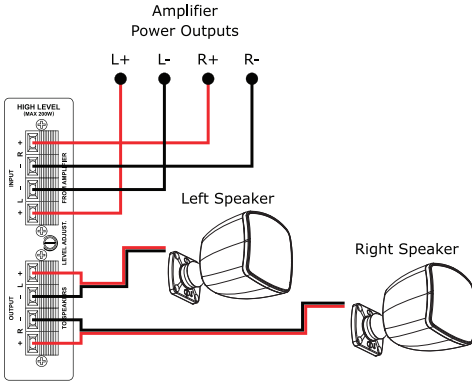
STEREO AUDIO SIGNAL

Connect both RCA cables, L and R, from the audio source to the subwoofer and adjust the low-pass filter frequency in a way that better integrates the subwoofer with the main speakers.



OUTPUT FROM HI-FI AMPLIFIER

You can connect the speaker directly to the amplifier's output (with a maximum total power of 200W) using the high level inputs/outputs following the schematic below.



CAUTION:

Never use the speaker high level input without any speakers connected to the high level output. It may damage the converter!

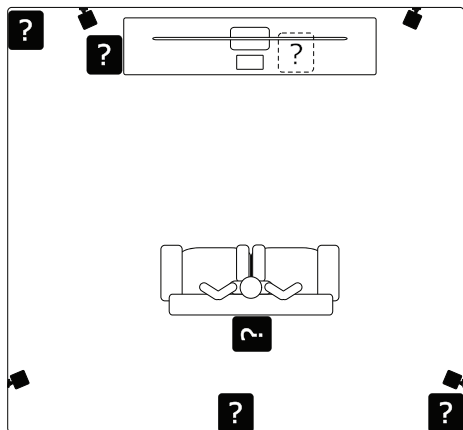
You can then control the maximum input volume accepted by the speaker. The recommended procedure is the following:

1. Rotate the high level input control potentiometer to the minimum.
2. Play some music through the main speakers at a high volume level that does not cause discomfort. In practice the highest level you would normally use it.
3. Rotate the main volume control to about 80%.
4. Slowly increase the high level input volume until you get the desired result.

This process serves a dual purpose as a safety measure. It is a hidden control, especially from children and it will prevent accidentally increasing the volume of the speaker to dangerous levels, through defining the maximum output the speaker will be able to deliver.

POSITIONING

The performance of the speaker will depend mostly on its position on the environment and relative to the other speakers present on the same environment. There are many variables to consider that go beyond the scope of this manual but in general rule, when close to walls or on corners the Bass response will increase, though sometimes too much. This effect is also variable according to the listener's position. Placing the subwoofer on the same plane as the main left and right speakers is normally the best solution, but depending on the arrangement of the environment, it may be better positioning it behind the listener. Try different options before deciding a final one and check on the listening position what works best for you. Always remind to change the polarity from 00 to 1800 to check whether the bass response increases in the listening position. When definitely installing it, leave, at least, 10-20cm from the back of the S10 to the nearest wall so the air coming from the port tube can easily circulate.



TROUBLESHOOTING

Problem: No Sound

Action to Solution:

- Check volume levels on the speaker, signal sources and the connections between them.
- Look at the power mode LED to check if the speaker is detecting the signal source. If the LED is green and the volume controls are normal and still there is no sound, the speaker may be damaged and needs to be returned for repair.

Problem: Little to no Bass

Action to Solution:

- This happens most of the times when two or more speakers near each other (in the same room), are wired out of polarity. In this case low frequencies will cancel each other acoustically
- Check the Phase control Switch - Reverse it to check if solved.
- Check if the main speakers are correctly wired with both the speaker and the main receiver/amplifier.

Problem: Intermittent Output

Action to Solution:

- Most probably is a faulty connection
- Verify all the connections in the system. If no problem detected, check the power mode LED. If the LED is turning red erratically, try connecting another signal source to the speaker and see if the problem persists. If it doesn't, the problem resides in your main receiver/amplifier. If it does you may have a faulty cable. Try replacing the cables one by one until you find the culprit.

Problem: Buzzing, hissing or humming

Action to Solution:

- If there is noise and no program material is playing, check your entire signal chain for the bad component. It can also be a matter of poor grounding or a ground loop. Check and correct the system grounding.

Technical Specs:

- Construction Material: Non-Resonant MDF
- MAX Power: 200W
- RMS Power: 100W
- SW Driver: 10" Polypropylene Cone Woofer
- Frequency Response: 30Hz-200Hz
- Impedance: 8 Ohms
- Audio Signal Input: Stereo Line In, High-Level Input
- Speakers Output: High-Level Output
- Input Connectors: 2 x RCA, Spring-Loaded Terminal
- Power Output: AC 115V/230V, 50/60Hz
- Product Dimensions (L x W x H): 15.5" x 12.9" x 11.8" -inches

PYLE

PyleUSA.com



VISIT US ONLINE:

Have a question?

Need service or repair?

Want to leave a comment?

PyleUSA.com/ContactUs

PYLE

Questions? Issues?

We are here to help!

Phone: (1) 718-535-1800

Email: support@pyleusa.com

California Prop 65 Warning

⚠️ WARNING:

This product contains Bisphenol A (BPA) which is known to the state of California to cause cancer birth defects and other reproductive harm. Do not ingest.

For more info go to: www.P65warnings.ca.gov