

PYLE
PyleUSA.com

PYLE
PyleUSA.com



VISIT US ONLINE:
Have a question?
Need service or repair?
Want to leave a comment?
PyleUSA.com/ContactUs

PYLE

Questions? Issues?

We are here to help!

Phone: (1) 718-535-1800

Email: support@pyleusa.com



PSUFM1288B

Portable PA Speaker System and Microphone System
with Flame light. Rechargeable Battery, Wireless BT Streaming,
Handheld Microphone, MP3/USB/Micro SD/FM Radio
(8" -inches, 40 Watt)

USER GUIDE

To be sure you take maximum advantage of all the speaker has to offer, read these instructions carefully and use the set properly. Be sure to keep this manual for future reference, should any questions or problems arise.

WARNING

CAUTION: TO REDUCE THE RISK OF ELECTRIC SHOCK, DO NOT REMOVE THE COVER ON THIS SPEAKER. THERE ARE NO USER-SERVICEABLE PARTS INSIDE. REFER ALL SERVICING TO A QUALIFIED TECHNICIAN



The lightning flash with arrowhead symbol within an equilateral triangle is intended to alert the user to the presence of "dangerous" voltage within the product's enclosure that may be of sufficient magnitude to constitute a risk of electric shock to humans.

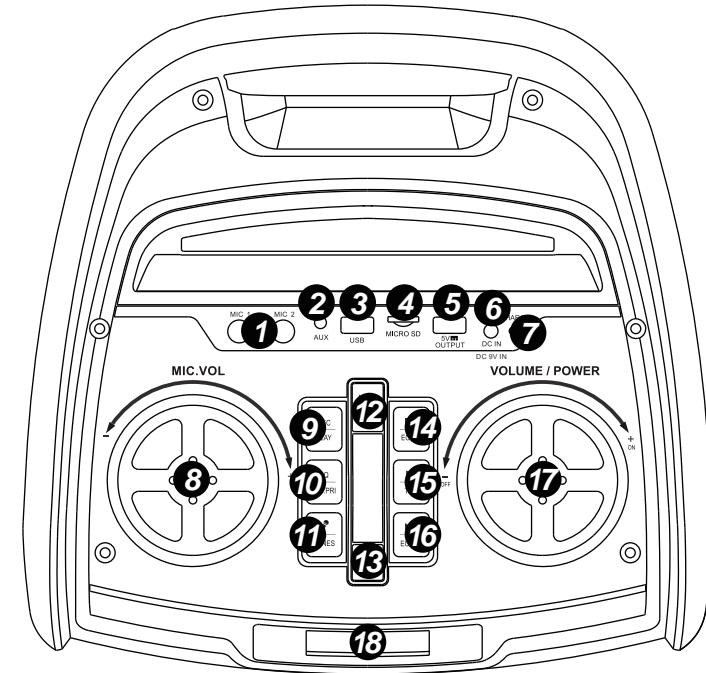
Users should exhibit extra safety when this symbol appears in this instruction manual and follow all precautions as they are stated.



The exclamation point within an equilateral triangle is intended to alert the user to the presence of important operating and maintenance (servicing) instructions in this manual.

1. Before using, please read the user manual carefully. Retain for future reference.
2. All warnings on the speaker and in the user manual should be adhered to.
3. Do not use the speaker near water.
4. **For Ventilation Purposes:**
 - Do not block any of the ventilation openings.
 - Do not install near any heat sources or fire.
 - Do not install in an airtight location.
5. Keep the cord and plugs in good order.
6. The speaker may be wiped down with a damp cloth once the unit has been switched off and the plug removed.
7. Unplug the speaker during lightning storms or when not in use for long periods of time.
8. Keep foreign objects and liquid from entering the unit to avoid a short circuit, fire and electrical accidents.
9. Keep the speaker in a dry location.
10. Refer all servicing to the agent or a similar qualified service center for repair.

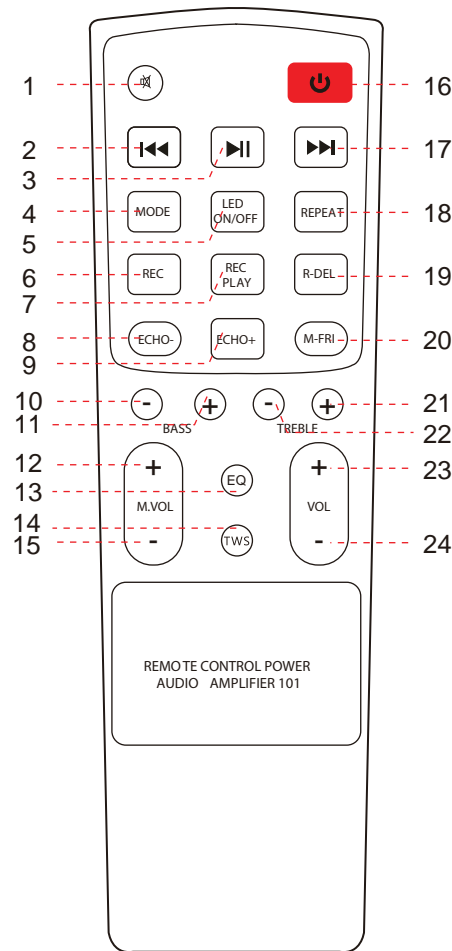
Control Panel Function:



1. MIC 1/2 input jack
2. Aux input jack
3. USB connector
4. Micro SD card connector (The max memory size is 32G)
5. DC output (5V Output can charge your mobile phone/lpad)
6. DC input
7. Charging light indicator
8. Mic volume adjustment
9. Recording/Recording play
10. Microphone priority/EQ
11. Mic sound effect (5 kinds of different Mic sound effect)
12. LED mode (6 kinds of different flame light effect in whole metal grill)
13. **MODE:** AUX/USB/Micro SD/FM/BT selected
14. MP3 last song/FM last frequency/Echo VOL-
15. MP3 pause or play/FM auto scan frequency/TWS
16. MP3 next song/FM next frequency/Echo VOL+
17. Volume adjustment/Power ON/OFF
18. Working status display window

REMOTE CONTROL FUNCTIONS

1. Mute
2. MP3 previous song/FM last frequency
3. MP3 pause or play/FM auto scan frequency
4. AUX/USB/MicroSD/FM/BT input selected
5. LED ON/OFF
6. Record
7. Rec Play
8. Echo Volume -
9. Echo Volume +
10. BASS Volume -
11. BASS Volume +
12. MIC Volume +
13. EQ mode
14. TWS
15. MIC Volume -
16. POWER ON/OFF
17. MP3 next song/FM next frequency
18. Replay
19. Delete record
20. MIC FRI mode
21. Treble Volume +
22. Treble Volume -
23. Volume +
24. Volume -



INSTRUCTIONS

Wireless BT Connection

1. Set the On/Off Switch to the on position. If the speaker is in Standby mode, press the Power Button on the remote control to turn it on.
2. Press the **MODE** button on the unit or remote control repeatedly until '**BLUE**' flashes on the display.
3. On your BT-enabled device, search for the speaker name '**PyleUSA**' and choose it to connect.
4. When the device is connected, '**BLUE**' will stop flashing and remain on the display. Your device will show as connected to '**PyleUSA**'.

FM Radio Operation

1. Press **MODE** Button to switch to FM mode.
2. Press and release '**▶▶**' Button again to save a channel under auto scan.
3. Press and release '**◀◀**' or '**▶▶**' Button to select the previous or next channel.

USB/MicroSD Operation

1. Insert a USB or MicroSD card memory device into the corresponding slot to play mp3 files automatically.
2. Press and release '**▶▶**' Button to pause or play the music.
3. During music playing, press and release '**◀◀**' or '**▶▶**' Button to play the previous or next song.

Important: To avoid damaging the USB/Micro SD device, do not take it out while music is being played from it.

Auxiliary AUX Operation

1. Use the provided audio cable to connect your external device's (e.g. mp3 player) audio out to the AUX input on the speaker.
2. Press **MODE** Button to switch to **AUX** mode.
3. Turn on your external device and start playback.

TWS Function

This function allows you to connect two speakers wirelessly and to reproduce the music from the same source at the same time.

The process to connect two speakers is as below:

1. Take 2 speakers and name them A and B, In advance, A unit switch to Wireless BT and start the scan function from your device and the phone will directly connect. Then also switch B unit to Wireless BT function and then press and hold '**▶▶**' button on A unit, it will change to TWS function and it will automatically connect to B unit. When the connection is successful, a "**tick**" tone will be heard on the B unit.
2. After connected successfully, on the B unit, the LED display will stop flashing, having static "**Blue**" word, then you can hear the music from both the speaker, it becomes left and right channel, true stereo. Press the TWS button again to exit TWS.

SIMPLE TROUBLESHOOTING

Try the troubleshooting steps below if you are having problems while using your speaker. If problems still exist, please look for a qualified technician or contact our company. To prevent electric shock or expand the scope of the malfunction, do not repair by yourself.

Symptom	Possible problem	Solution
No function light & No sound	1. Low Battery	Insert the Adapter to charge the battery
	2. Speaker power button is not turned on	Turn on the button'
Function light on but no sound	1. Cable misconnected	Turn off the power, check the input jack to ensure proper audio signal is connected to relevant input jack
	2. Speaker are not connected or misconnected	Power off, then check and confirm the cable connection again
	3. Audio signal is not transmitted to speaker	Check all the speaker if there is audio signal output

If the problem exists after checking related procedures above, please refer to the appointed service agent or professional technician to fix it. Do not attempt to open the cover, otherwise we assumes no responsibility.

Wireless BT Connectivity:

- Instant Wireless BT Music Streaming Ability
- Simple & Hassle-Free Pairing
- Works with All of Today's Latest Devices
Smartphones, Tablets, Laptops, Computers, etc.
- Wireless BT Version: 5.0
- Wireless BT Network Name: 'PyleUSA'
- Wireless Range: Up to 30'+ ft.

Audio Recording Mode:

- It's Easy: One Button Record Activation
- Record Vocals Via Microphone
- Ability to Record Vocals via Microphone
- Records to USB Flash & SD Memory Card
- Audio File Type Created: MP3

What's in the Box:

- Speaker
- Wireless Microphone
- Remote Control
- 3.5mm Audio Cable
- 2A Microphone Battery
- (2) 3A Remote Control Battery

California Prop 65 Warning

WARNING:
This product contains Nickel carbonate which is known to the state of California to cause cancer birth defects and other reproductive harm. Do not ingest.
For more info go to: www.P65warnings.ca.gov

System Features:

- PA Loudspeaker System
- High-Powered Rechargeable Speaker Tower
- Hassle-Free, Quick Setup Audio & Vocal Projection
- Wireless BT Music Streaming
- Built-in Rechargeable Battery for Portability
- Includes Wireless Handheld Microphone
- Mic Priority Control: Automatic Vocal Talkover over Music
- FM Radio with Digital LED Display
- Connect & Stream Audio from External Devices
- USB Flash & Micro SD Memory Card Readers
- 1/4" Microphone Input
- Aux (3.5mm) Jack
- Treble Bass Echo Volume Controls
- Full Range Stereo Sound Reproduction
- Impressive Bass Response
- Convenient Carry Handle & Wheels
- External Battery/Power Supply Support: DC 5V
- Perfect for Karaoke, Crowd Control, Public Even Gatherings

Technical Specs:

- Power Output: 40 Watt MAX
- Sound System: 8" Woofer with Piezoelectric Tweeter
- Wireless Microphone Type: VHF Band
- Frequency Response: 45Hz-20KHz
- Sensitivity (1w/1m): 650mV
- Impedance: 4 Ohm
- Maximum SPL: 128dB
- Dispersion (@6dB): H90 V50
- Crossover: 3kH LF: 120Hz-4kHz, HF: 4KHz-15KHz
- LED Lights Power Switch: ON/OFF
- Maximum USB Flash / Micro SD Memory Card Support: 32GB
- Microphone Battery Operated: Requires (2) x 'AA' Batteries, Included
- Rechargeable Battery: 7.4V Li-ion Battery, 3600mAh – 18W adapter
- Power Supply: 110-220V
- Unit Dimensions (L x W x H): 11.8" x 12.20" x 30.12" –inches DBL