

PYLE

PyleUSA.com

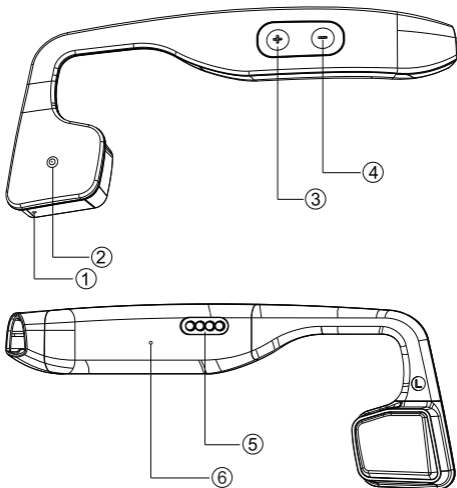


PSWBT550

Bone Conduction Headphone

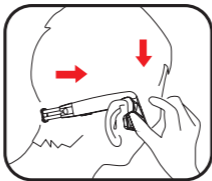
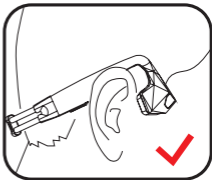
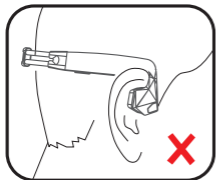
USER MANUAL

OVERVIEW



1. Microphone
2. Multifunction Button
3. VOL+
4. VOL-
5. Magnetic Charging Port
6. LED Indication

HOW TO WEAR



1. As shown in above picture, put the headphone between your ears and head. Make sure the speaker sit on your cheek bones. Then you can adjust and find the best position for you.

HOW TO PAIR TO YOUR DEVICE

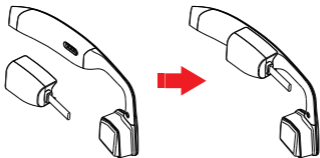
1. Long press the Multifunction button for 9s until the LED flashes in Red&Blue.

2. Enter the Bluetooth menu of your device, search for the [PyleUSA] and click to connect.
3. When the Blue LED flashes every 5s, it means the connection has been established successfully. If the passkey input is required, input "0000".

Notice:

1. *The device will automatically reconnect to the last connected device every time it turns on. If you want to connect to other devices, just turn off the Bluetooth of the last device or repeat Step 1 above.*
2. *If the reconnect process failed, just choose the headphone in the Bluetooth device to click.*
3. *When the device has been failed to reconnect for 10min, the device will turn off automatically.*

HOW TO CHARGE



1. When LED indicator shows blinking red light with the voice prompt "Low Battery", it mean you should charge your device.
2. For charging, please connect the device to a reliable power source with the USB cable included in the package.

3. The standard charging time is about 2 hours. During charging, the Red LED indicator is solid. When the charging is finished, the Blue LED will turn solid.

Notice:

1. To protect your device during charging, please make sure the input voltage of the USB cable should not exceed 5V.

2. Remember to clean the charging port with a cloth before you charge. Keep your charging port dry and clean.

BASIC OPERATION

MUSIC FUNCTION	
FUNCTION	OPERATION
Power on/off	Long press the multifunction button for 6s
Play/Pause	Press the Multifunction button
PRE./NEX.	Long press the VOL+/VOL- for 2s
Volume Control	Press the VOL+/VOL- to adjust volume
HANDS - FREE FUNCTION	
FUNCTION	OPERATION
Answer/End a call	Press the Multifunction button
Reject a call	Long press the Multifunction button for 2s
Volume Control	Press the VOL+/VOL- to adjust volume

Notice:

1. The volume will be automatically saved when powering off.

TROUBLE SHOOTING

PROBLEM	POSSIBLE CAUSE	SOLUTION
Can't turn on	Low battery	Please charge the device
Can't reconnect	Out of range	Take the device within 10m and click to connect on the phone
No sound during music	1. Bluetooth connection failed 2. Not in Bluetooth music mode	1. Reconnect the device 2. Switch to Bluetooth mode
No sound during a call	1. Connection failed 2. Not in Bluetooth call mode	1. Reconnect the device 2. Change the phone call mode on the phone

SPECIFICATION

Bluetooth Version: 4.1

Bluetooth Profile: A2DP/AVRCP/HSP/HFP

Bluetooth Range: 10m/3.3ft.

USB Type: Magnetic USB port

Music Time: 6H

Standby Time: 240H

Charge Time: 2H

STORAGE AND MAINTENANCE

1. Storage:

Store your product in cool and dry place.

2. Maintenance:

- a. The recommended working temperature range is 32-113°F over hot/cold/humid environment may badly reduce the product battery life and harm the overall performance.
- b. Avoid using the product during a lightning storm.
- c. Please charge your unit first before using the device after a long time storage.
- d. Clean the product with a piece of dry cloth.
- e. If remaining water/sweat is found on the charging port, simply dry it with a soft cloth.
- f. Keep the product away from sharp edges/points.



VISIT US ONLINE:

Have a question?

Need service or repair?

Want to leave a comment?

PyleUSA.com/ContactUs

PYLE