

PYLE

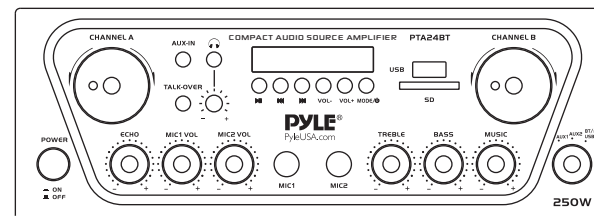
PyleUSA.com



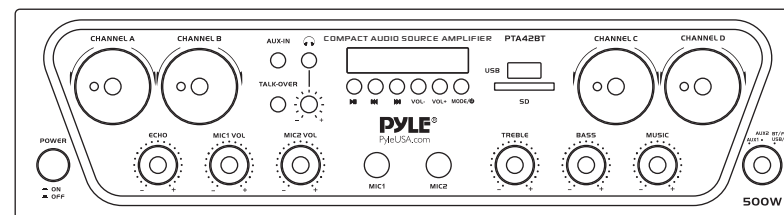
VISIT US ONLINE:
Have a question?
Need service or repair?
Want to leave a comment?

PyleUSA.com/ContactUs

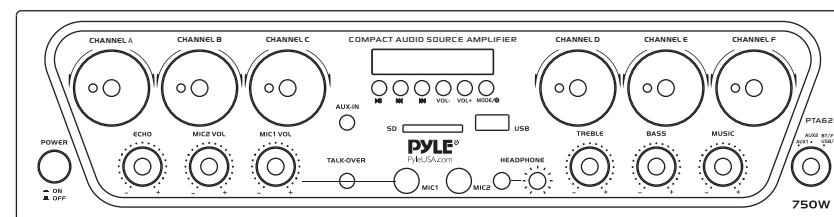
PYLE



PTA24BT - 250W



PTA42BT - 500W



PTA62BT - 750W

Compact Bluetooth Home Audio Amplifier Systems **USER MANUAL**

FOREWORD

Your New Pyle Amplifier gives you the power and versatility you need in a professional sound system. The amplifier's wide frequency response makes it suitable for amplifying music or vocal program material. It can be used in meeting halls, house, restaurant, schools, stores, or for paging systems.

Please read this manual thoroughly before you attempt to set up and use the amplifier. It contains a range of installation suggestions as well as instructions to ensure safe usage.

Installed properly, you can expect years of trouble-free service from this product.

WARNING: To reduce the risk of fire or shock hazard, do not expose this product to rain or moisture.



CAUTION
RISK OF ELECTRIC SHOCK
DO NOT OPEN



CAUTION: To reduce the risk of electric shock, do not remove cover or back. No user-serviceable parts inside. Refer servicing to qualified personnel.



This symbol is intended to alert the user to the presence of uninsulated dangerous voltage within the product's enclosure, it may have sufficient magnitude to constitute a risk of electric shock to persons.

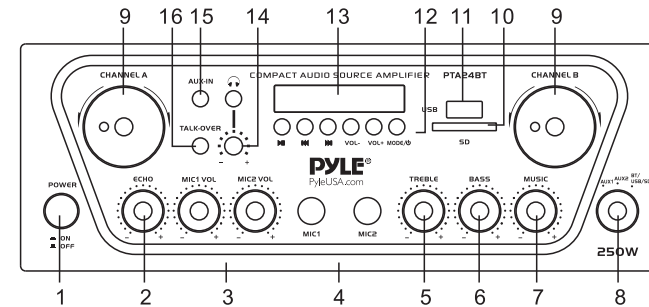


This symbol is intended to alert the user to the presence of important operating and maintenance (servicing) instructions in the literature accompanying the appliance.

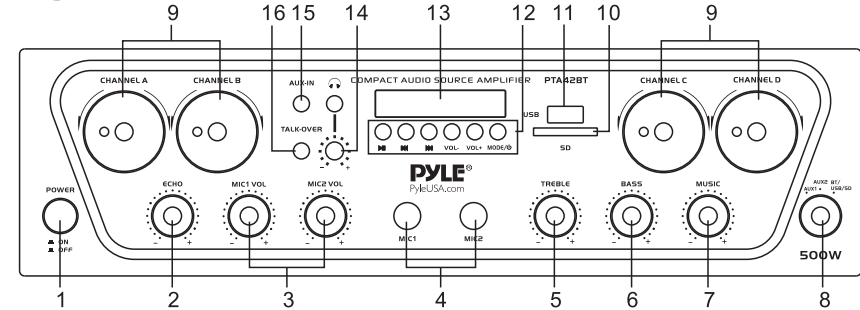
FEATURES AND CONTROLS

FRONT PANEL

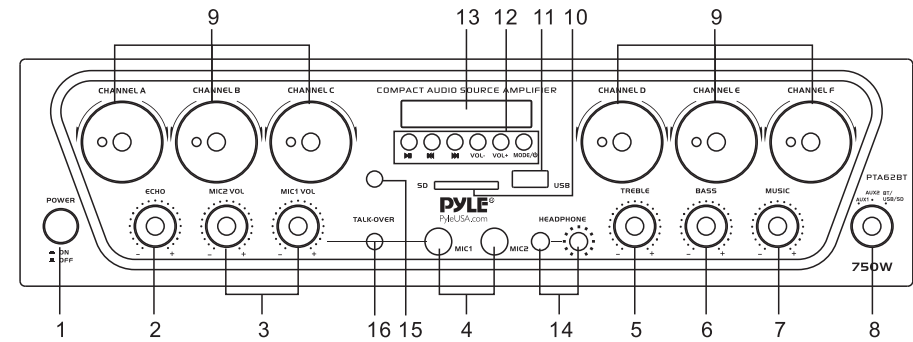
PTA24BT



PTA42BT

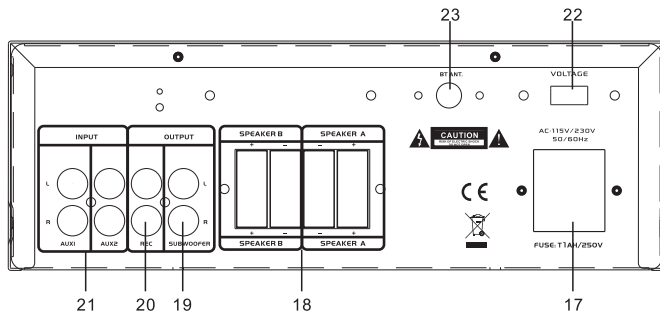


PTA62BT

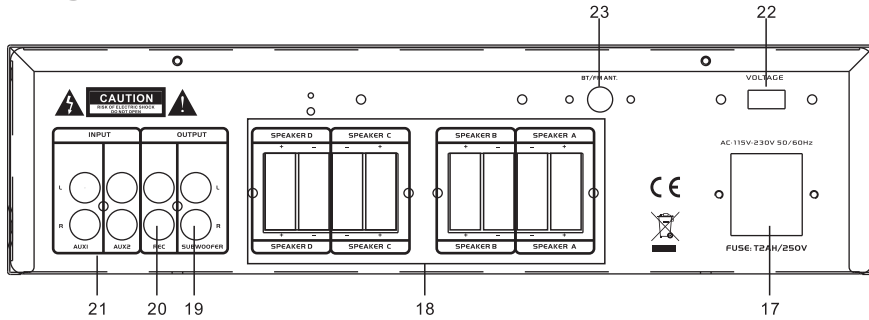


BACK PANEL

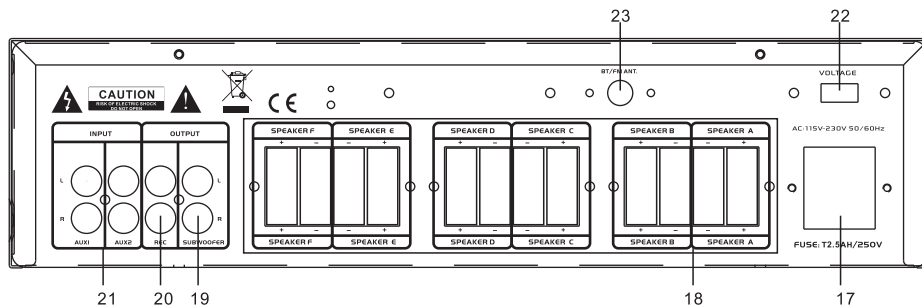
PTA24BT



PTA42BT



PTA62BT



1. Main Power ON Switch

- Switch ON or OFF The amplifier by using this switch.

2. ECHO CONTROL

- Turn the knob to adjust the MIC echo level.

3. MIC 1 VOL & MIC 2 VOL

- Turn the knob clockwise to increase the MIC volume.

4. MIC 1 & MIC 2 Input Jack

- KARAOKE MIC connected to these jacks.

5/6. BASS AND TREBLE TONE CONTROL

- Lets you boost or attenuate bass and treble for the desired sound.

7. Master Volume

- Adjusts main audio system volume level.

8. Audio Source Switch

- Audio Source Switches between AUX1 input, AUX2 input, BT/FM/USB/SD

9. Independent Channel Volume Controls

- Adjusts audio volume levels for connected input(s).

10. SD/MMC Socket for playing SD/MMC cards

11. USB Charge Port & USB Reader Function

- USB port for smartphone charging and USB reader function.

12. Buttons for Bluetooth/MP3 (USB and SD) Function Control

- **MODE Button:** For audio selection like **BLUETOOTH/USB/SD/LINE IN**
- **PLAY/PAUSE BUTTON:** Play and Pause control button
- **PREV/NEXT:** Quick backward or next song

13. Blue LED Display Window for MP3/Bluetooth Function

14. Headphone Control

- 3.5mm headphone input jack with independent rotary volume control.

15. Line Input AUX/CD IN

- Connect the MP3 Device (player) sources such as PC (CD ROM), laptop, walkman, iPod and mobile phone

16. Microphone Talk-Over

- Switch-activated function allows for direct audio integration with connected microphone (MIC1).

17. AC IN Power Cord

- Connect to AC 110V/60Hz or 220V/50Hz

18. Push Type Speaker L/R Terminals

- Connect the speaker wires directly to the amplifier

19. Stereo Subwoofer Output

- Connect to subwoofer system from these terminals

20. Stereo Recording Function Output

21. RCA L/R LINE Input

- Connect to desired LINE input sources.

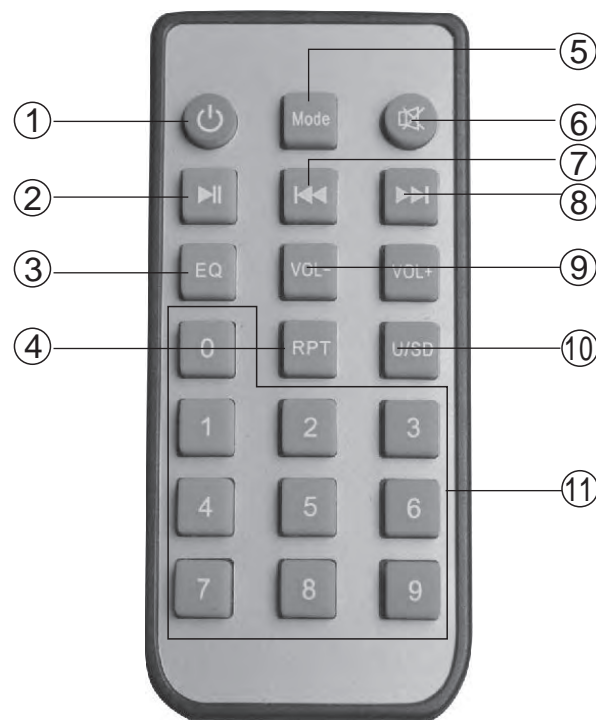
22. 110V/220V Switch

- According to power voltage, push this button to the 110V or 220V correct station.

23. Bluetooth Antenna

- Bluetooth receiver

REMOTE CONTROL FUNCTION



1. Power ON Button
2. Play/Pause Button
3. Equalizer Button
4. Repeat Song Button
5. MODE: Menu Control Button
Press to select BT/USB/SD/LINE IN etc audio input
6. MUTE Button
7. Previous Song Button
8. Next Song Button
9. Volume + and Volume - Buttons
10. USB/SD Switch Button
11. Number Buttons for Song Selection

BLUETOOTH OPERATION INSTRUCTION:

External devices which have a built-in Bluetooth feature can be connected to this amplifier wirelessly to play through the amplifier's speakers. If your amp is connected to speakers, you will hear audible tones which will help for connecting.

1. At first be sure that the amplifier is powered on, and turn the volume to low. Please remember to connect the Bluetooth Antenna at the back panel for better receiving signal.
2. Press the **BT/Line** button switch in on the front panel, you will hear the voice "POWER ON" and also "PAIRING", and then the unit is automatically ready to pair with your external device.
3. Turn on the Bluetooth of your external device.
4. Search for available Bluetooth devices and make sure to be within range of your amp, and wait for your device to select "BT-RY" on the pairing devices lists of Bluetooth networks.
5. Once connected you will hear a voice say, "Your Device is Connected", the Bluetooth pairing is successful and connected.
6. You can now play music on your external device through the amplifier.

CARING FOR YOUR PYLE AMPLIFIER

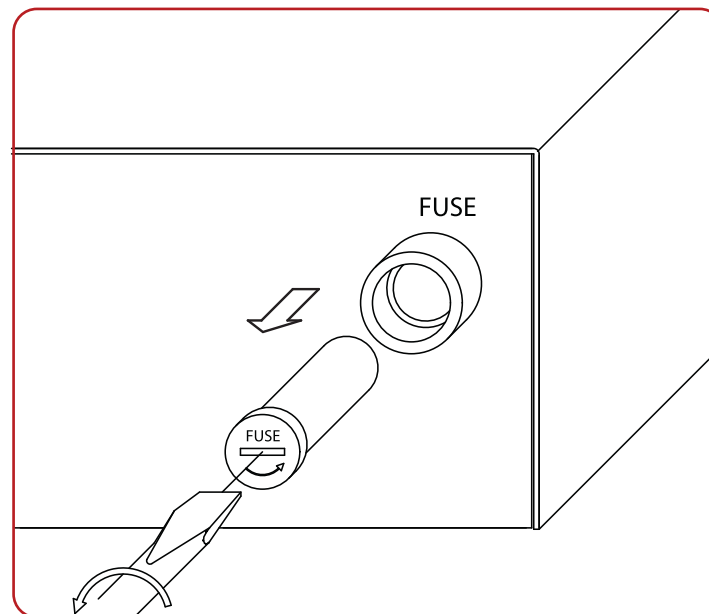
Your **Pyle Amplifier** is an example of superior design and craftsmanship. The following suggestions will help you care for your amplifier so you can enjoy years of use:

- Keep the amplifier dry. If it gets wet, wipe immediately.
- Use the amplifier only in well-ventilated installations.
- Handle the amplifier away from dust and dirt.
- Wipe occasionally with a damp cloth to keep it looking new.
Do not use harsh chemical, solvents or detergents!

IMPORTANT

Replacing a fuse

This amplifier requires fuse with the proper rating for protection from power surges and short circuits. If the amplifier suddenly turns off or would not turn on, the fuse is properly blown.



- Let the amplifier cool down and see if it starts again before you assume a fuse needs to be replaced.
- Unplug the amplifier from the AC outlet.
- Turn the fuse holder cap and pull out the cap.
- Remove the old fuse and replace it with an identical one.

CAUTION: Never use a fuse with a higher rating

TROUBLESHOOTING:

NO POWER	The fuse might be blown	Check the amplifier's fuse and replace it if necessary.
NO SOUND	Sound source or speakers may not be connected properly	Check all connections
	Master volume control may be set to a minimum	Adjust the volume control to a higher setting
	The speaker's wire might have the wrong impedance	Make sure that the speakers that you have connected to the amp are matching in impedance
	The amplifier is shutting down or powering off	Turn the amplifier off and let it cool, make sure that the amplifier is properly ventilated, and then turn it back on
Feedback	Microphone and speakers are too close together	Reposition the microphone and speakers

SPECIFICATIONS

MODEL	PTA24BT	PTA42BT	PTA62BT
Power Output:	250W	500W	750W
Total Harmonic Distortion 1 KHz Rated Power	0.3%	0.3%	0.3%
Input Sensitivity 1 KHz, 4-ohm Rated Power			
AUX 1	180mV	180mV	180mV
AUX 2	180mV	180mV	180mV
AUX IN	200mV	200mV	220mV
MIC	6mV	6mV	6.8mV
Signal to Noise Ratio, 1 KHz, 4-ohm Rated Power			
AUX 1	81dB	84dB	82dB
AUX 2	81dB	84dB	82dB
AUX IN	81dB	84dB	82dB
MIC	68dB	68dB	68dB
BASS 100Hz	±10dB	±10dB	±10dB
TREBLE 10KHz	±10dB	±10dB	±10dB
Frequency Response, 1KHz 1W, +/-3dB (8-OHM)	20Hz-20KHz	20Hz-20KHz	20Hz-20KHz
Power Requirement	120VAC60Hz or 230V AC 50Hz	120VAC60Hz or 230V AC 50Hz	120VAC60Hz or 230V AC 50Hz