



PVC10BT

User's Manual



Bluetooth Enabled
In-Wall Background Music Amplifier w/ USB
& SD Card Player w/ 3.5mm Input Jack for
iPod & Volume Control

www.pyleaudio.com

FOREWORD

Dear Customer,

Thank you for purchasing this background music amplifier. Please read the manual carefully before using this product. It provides detailed instructions on wiring and proper usage. This product is designed for playing music throughout a speaker system – perfect for hotels, offices, restaurants, shops, and home use.

Features:

- Mounts in-wall for convenient control
- Broadcast music over PA system
- Max Power: 75 Watts
- Works great in businesses, homes, children's rooms
- Display shows relevant track info
- Digital music plays using USB stick or SD card
- Fully functional wireless remote control
- Built-in Bluetooth technology

Products Description:

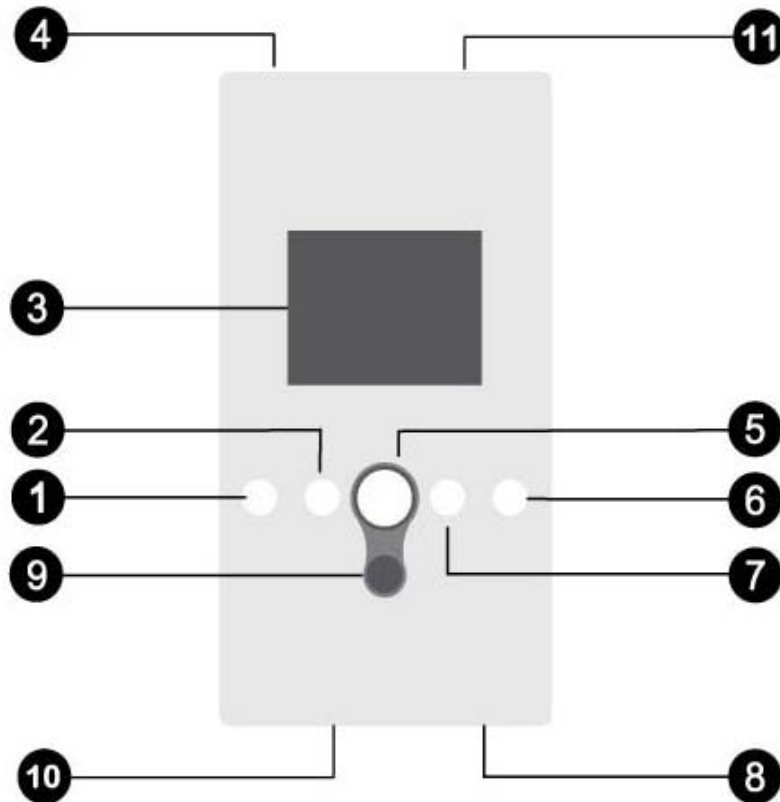
This small amplifier equipped with USB/SD and 3.5mm jack can power a set of speakers in your home. It uses a high-efficiency class-D amplifier for a maximum output of 75 watts over 4 ohm, low-impedance speakers.

The cool display shows relevant track info. Plus, you can control everything – seek, change tracks, and adjust the volume – using the included wireless infrared remote.

Technical Information:

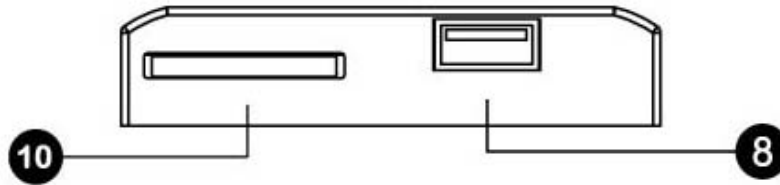
Operating Voltage:	AC110V 50Hz
Rated power:	5W 15W 20W
Output impedance:	4 ohms
Frequency response:	20Hz-20kHz
THD:	0.03%
Infrared distance:	<10M
Dimensions:	73*116*60mm

Panel Instruction:



- | | |
|---------------------------------|----------------|
| 1.PRE song | 2.VOL- |
| 3.LCD | 4.power switch |
| 5.Play/Pause | 6.Next song |
| 7.VOL+ | 8.USB port |
| 9.infrared receiver | 10. SD port |
| 11.3.5mm Headphone jack(AUX IN) | |

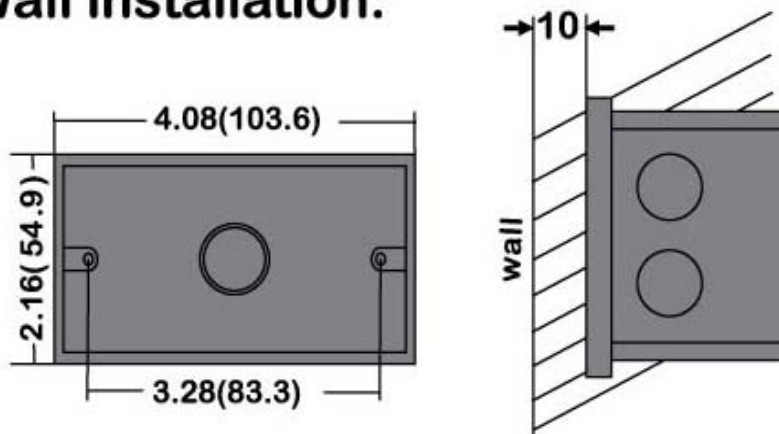
USB/SD position



Power switch/AUX jack position



Wall installation:



Remote Control Description:



-  Power switch
-  Mode switch
-  Mute
-  PRE/NEXT song
-  PLAY/PAUSE
-  VOL-/VOL+
-  EQ control
-  0 - 9 - 100+ select key figures
-  Repeat

OUT: L+ , L- by one speaker, R+ , R- by another
L and N: by 110v power
L by fire line, N by zero line

Terminal Description:

