

PYRAMID SUPER PRO

SPECIFICATIONS



About Pyramid Super Pro Series Woofer

Congratulations!

You have just purchased one of our high power Pyramid woofer. Pyramid Super Pro Series Woofer is the high quality woofer which could provide consistent and high performance. We do confident that Super Pro Series Woofer will bring you many hours of enjoyment over the years.

BASIC FEATURES

Black strong non-pressed paper cone

Non-fatiguing rubber suspension

Stamped steel basket

Bumped & vented motor structure

High temperature kapton voice coil

Heavy magnet structure

4 ohm or 8 ohm impedance

About This Booklet

In this booklet, you could find the **SPECIFICATIONS** and **TEMPLATE** of the woofer. With this information, you could achieve the best performance of woofer conveniently.

Below is the meaning of the rating abbreviations.

Fs: "**Free Air Resonance**", this value is the lowest audible frequency (in Hz) of the woofer.

Q : This value describes the degree of control ("damping") which the speaker exhibits. Speaker damping is due to both **MECHANICAL** characteristics (**Q_{ms}**) and **ELECTRICAL** characteristics (**Q_{es}**).

A speaker's **TOTAL DAMPLING VALUE** is referring as **Q_{ts}**.

SPL : This value means the sensitivity of the speaker.

VAS: This value describes (in cubic feet) the maximum amount of air which is displaced by the speaker cone in a single excursion.

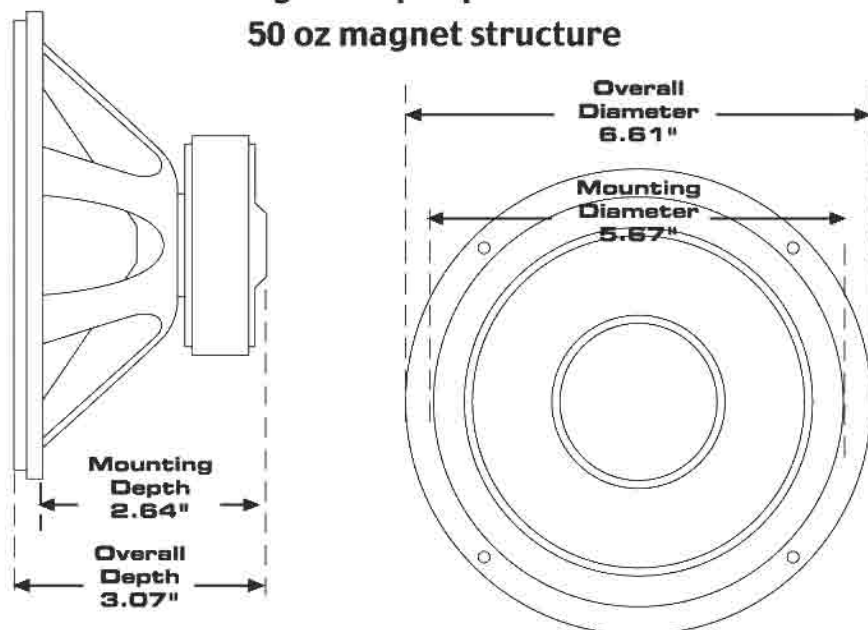
PW655US-X

Basic Features

6.5" Black strong non-pressed paper cone

1.5" high-temp kapton voice coil

50 oz magnet structure



Performance Parameters	PW655US-X
Power (Watts Peak)	300
Nom. Impedance	4
Fs (Hz)	71.7
Qms	7.65
Qes	0.62
Qts	0.57
SPL (dB)	87.8
Vas (cu ft)	0.237

SUPER PRO continually strives to improve the performance and value of its products – all specifications are subject to change.

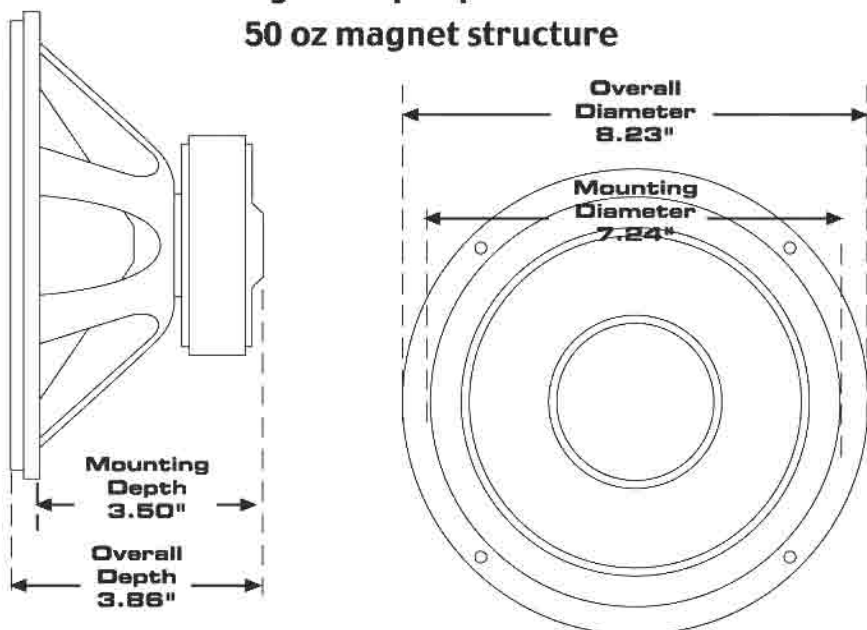
PW855US-X / PW848US-X

Basic Features

8" Black strong non-pressed paper cone

1.5" high-temp kapton voice coil

50 oz magnet structure



Performance Parameters	PW855US-X	PW848US-X
Power (Watts Peak)	350	350
Nom. Impedance	4	8
Fs (Hz)	46.4	48.1
Qms	8.63	2.15
Qes	0.60	0.79
Qts	0.56	0.58
SPL (dB)	88.3	87.8
Vas (cu ft)	0.943	1.003

SUPER PRO continually strives to improve the performance and value of its products – all specifications are subject to change.

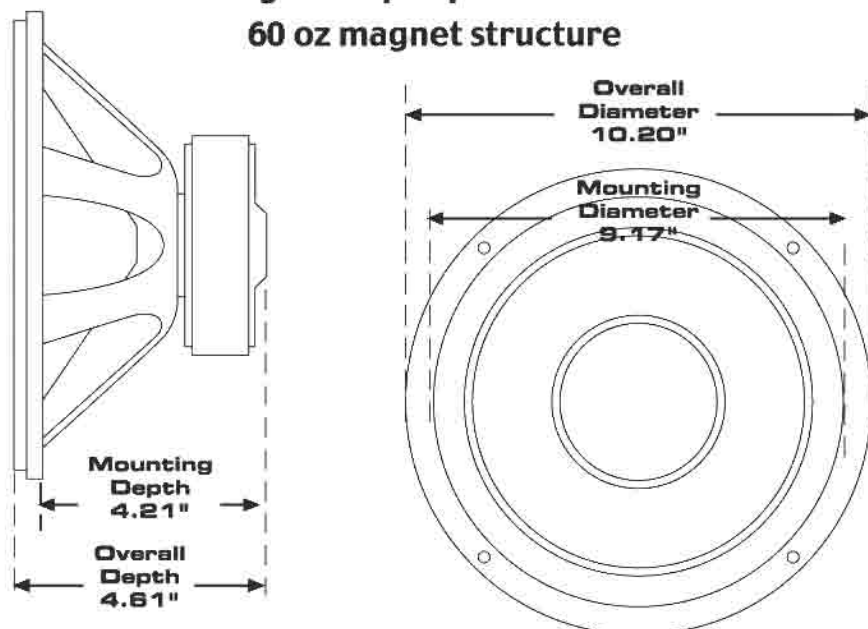
PW1055US-X / PW1048US-X

Basic Features

10" Black strong non-pressed paper cone

2" high-temp kapton voice coil

60 oz magnet structure



Performance Parameters	PW1055US-X	PW1048US-X
Power (Watts Peak)	500	500
Nom. Impedance	4	8
Fs (Hz)	29.2	29.8
Qms	4.82	6.32
Qes	0.53	0.63
Qts	0.47	0.57
SPL (dB)	86.3	86.5
Vas (cu ft)	2.062	2.504

SUPER PRO continually strives to improve the performance and value of its products – all specifications are subject to change.

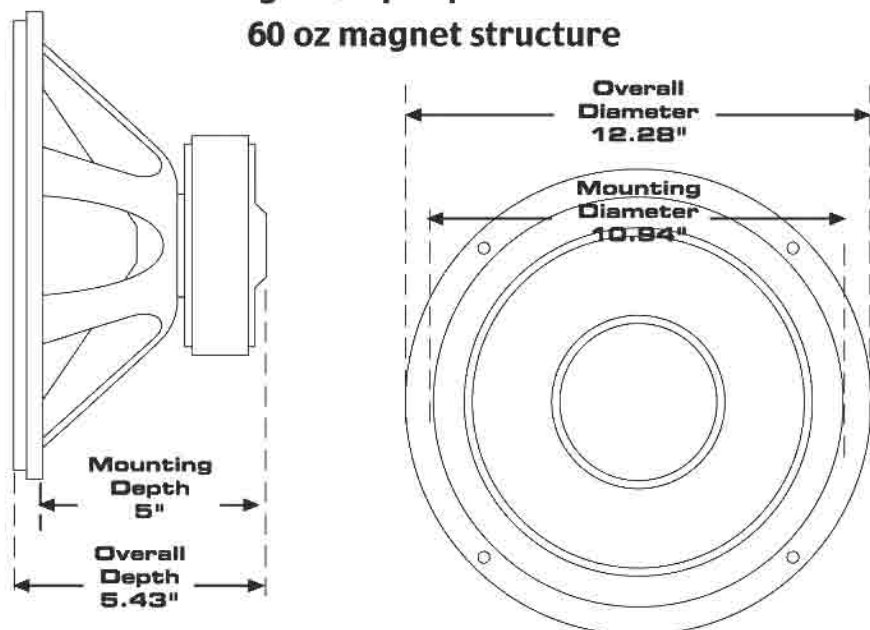
PW1255US-X / PW1248US-X

Basic Features

12" Black strong non-pressed paper cone

2" high-temp kapton voice coil

60 oz magnet structure



Performance Parameters	PW1255US-X	PW1248US-X
Power (Watts Peak)	600	600
Nom. Impedance	4	8
Fs (Hz)	29.8	29.1
Qms	4.83	3.85
Qes	0.65	0.68
Qts	0.57	0.58
SPL (dB)	89.2	89.5
Vas (cu ft)	4.785	4.895

SUPER PRO continually strives to improve the performance and value of its products – all specifications are subject to change.

MANUFACTURER'S LIMITED TWO YEAR WARRANTY

PYRAMID SOUND CORP. warrants this unit to be free from defective material or workmanship and will repair or replace this unit or any part thereof if it proves defective in normal use or service within two (2) years from the date of original purchase.

Our obligation under this warranty is limited to the repairing or replacing, at our discretion, the defective instrument or any part thereof when it is returned, transportation prepaid to the Pyramid Service Center at the address below. This warranty will be considered void if the unit has been tampered with, improperly serviced, subjected to abuse or misuse or if installed in a commercial vehicle. This warranty does not cover accidental damage. When returning this unit for service, please include \$10.00 for return postage and handling.

Send your unit to:

**PYRAMID SERVICE CENTRE
1600-63rd Street
Brooklyn, New York 11204 USA**

IMPORTANT:

Pack carefully in original carton if possible. We are not responsible for damage incurred in returning items for repair. A letter stating your exact street address, daytime phone number and the problem you are experiencing should be included. You must also enclose a copy of the original receipt as proof of date of purchase.

Register Online@www.pyramidcaraudio.com