

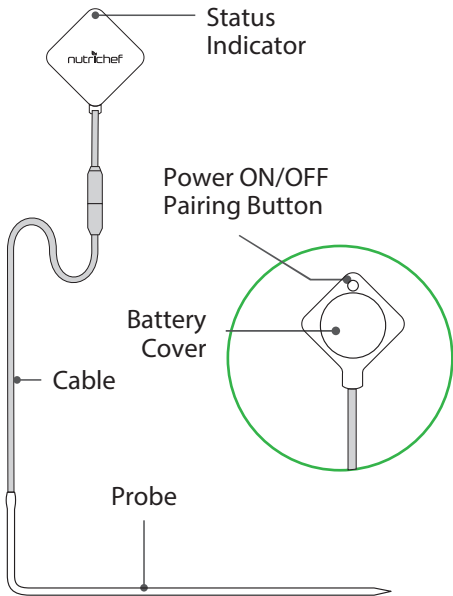
nutrichef



PWIRBBQ420
Smart Wireless BT BBQ Thermometer
Upgraded Stainless Probe
with Smartphone App Control

User Manual

Get to know the device



Smart Wireless BT BBQ Thermometer Setup

Download and install EasyBBQ App on your mobile. (Available on Android and Apple IOS)

1. Turn ON the **Smart Wireless BT BBQ Thermometer**.
2. Choose food type and preference for the food where each probe is inserted.
3. The graph of temperature will be displayed and shown on the app.
4. Pair the digital thermometer on the app.
5. Displays time and temperature alarm. The app will display it's current and target temperature.

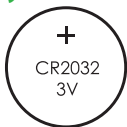
Make sure to:

- Turn ON Wireless BT in your mobile phone.
- Enable location services for the easy BBQ app.



Do not place the plastic thermometer on the side of hot surfaces. It is not designed to withstand heat from a grill or smoker. Only the thermometer probes can come into contact with hot surfaces.

Put in the Battery



1. Twist the battery cover counterclockwise to unlock.
2. Put in batteries, make sure the side with an icon of + is facing outside.
3. Twist the battery cover clockwise to lock.

Download the APP

Search the keyword 'easybbq' in Appstore or Google Play, or scan the following QR code with your phone. Download and install it for free.



EasyBBQ app



App Store is a service mark of Apple Inc.
Google Play is a service mark of Google Inc.

Power ON/OFF

Power ON:

Press and hold the power button for 3 seconds

Power OFF:

Press and hold the power button for 3 seconds

Pair with your phone

- 1. Power on your device.**
(**Note:** Ignore this step when you put in the battery, as it will automatically power on).
2. Click the Pairing Button to enter pairing mode, wait for 30 seconds to be connected.
3. Make sure the Wireless BT switch on your phone is on. Launch the app, and follow the app instructions to pair with the device.
4. Connected successfully.

LED status in device

Solid Green for 1S, then blinks Green at the frequency of 1 flash in every 3S

Solid Red for 1S, then power off.

Solid Green for 1S, then blinks Green at the frequency of 1 flash in every 3S

Blinks Blue at the frequency of 1 flash in every 1S

Blinks Blue at the frequency of 1 flash in every 3S

Once Paired the device with your phone, you don't need to do it again, unless you delete it from the app.

Insert the device

Insert the probe into the food, make sure the front tip of the probe is in the center of the food to get accurate temperature.

DO NOT put the device directly in fire, flame or a stove.

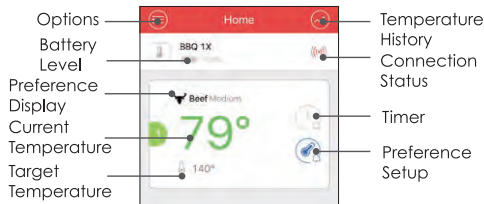
Keep the main unit as far as possible from the fire.



Enjoy your barbecue time

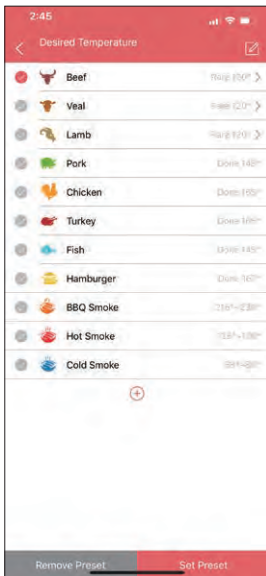
Simply choose food type and preference for the food where the probe is inserted, the app will display its current and target temperature.

When the food is ready, the app will pop-up an alarm page, and the red LED in the device will flash.



The user interface of the app may be changed when update. Please follow the instructions in the app.

Accurate temperature value for all kinds of food and taste. You can modify the preset value or customize new food type at your will.



Alarms

Food ready alarm:

The app will have a pop-up to remind you when the temperature reaches the preset value.

Wireless BT connection break off alarm:

If your phone is out of valid wireless range for several minutes, the app will alarm you.

Low battery level alarm:

You can get battery level information from the app if the device still has enough power to build stable connection;

When the battery is too weak to work, the red may light up for 10 seconds to remind you, then power off.

LED status in device

Blinks Red at the frequency of 1 flash in every 0.4 S

Blinks Blue and turns to blinking green

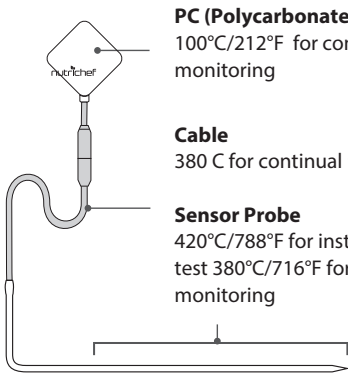
Solid Red lasts for 10 S

Temperature Endurance

Putting the device directly in fire flame will burn it!

The device has limited water resistance, **DO NOT** wash the main unit in water!

Please clean it with a wet cloth instead.



PC (Polycarbonate) main unit

100°C/212°F for continual monitoring

Cable

380 C for continual monitoring

Sensor Probe

420°C/788°F for instantaneous test
380°C/716°F for continual monitoring

If the temperature probe reading becomes unaccurate please contact support for warranty help.



Frequently asked questions:

Q: Does this device match all smart phones?

Make sure the phone meet the following requirements:

iPhone 4S, iPod touch 5th, iPad 3rd generations and later models, all ipad mini; Android devices running version 4.3 or later, with BT 4.0 BLE module.

Q: How far is the wireless range?

It really depends on the environment. It can reach 100 feet in ideal environment without electromagnetic interference and solid obstacle between the smart phone and the thermometer. If there is good radio-reflective material in the environment, it may enhance the signal significantly to more than 100 feet.

For example, concrete ground or wall, and metal flat panel behind the device. Generally, the range would be around 65 feet.

Q: How long is the battery life?

About 600 hours. It may ran out of battery when it was in stand-by mode, so that you can power it on when you want to use it.

§15.19 Labelling requirements

This device complies with part 15 of the FCC Rules. Operation is subject to the following two conditions: (1) This device may not cause harmful interference, and (2) this device must accept any interference received, including interference that may cause undesired operation.

§15.21 Information to user

Any changes or modifications not expressly approved by the party responsible for compliance could void the user's authority to operate the equipment.

§15.105 Information to the user.

Note: This equipment has been tested and found to comply with the limits for a Class B digital device, pursuant to part 15 of the FCC Rules. These limits are designed to provide reasonable protection against harmful interference in a residential installation. This equipment generates uses and can radiate radio frequency energy and, if not installed and used in accordance with the instructions, may cause harmful interference to radio communications.

However, there is no guarantee that interference will not occur in a particular installation. If this equipment does cause harmful interference to radio or television reception, which can be determined by turning the equipment off and on, the user is encouraged to try to correct the interference by one or more of the following measures:

- Reorient or relocate the receiving antenna.
- Increase the separation between the equipment and receiver.
- Connect the equipment into an outlet on a circuit different from that to which the receiver is connected.
- Consult the dealer or an experienced radio/TV technician for help.

*** RF warning for Portable device:**

The device has been evaluated to meet general RF exposure requirement. The device can be used in portable exposure condition without restriction.





Questions? Issues?

We are here to help!

Phone: (1) 718-535-1800

Email: support@pyleusa.com