

**PYLE**  
PyleUSA.com



**VISIT US ONLINE:**  
Have a question?  
Need service or repair?  
Want to leave a comment?  
[PyleUSA.com/ContactUs](http://PyleUSA.com/ContactUs)

**PYLE**

**Questions? Issues?**  
We are here to help!  
Phone: (1) 718-535-1800  
Email: [support@pyleusa.com](mailto:support@pyleusa.com)

**PYLE**  
PyleUSA.com



*PWMA1090UI*

**Wireless & Portable PA Speaker System Kit**  
with Built-in Rechargeable Battery, FM Radio  
(Wireless Handheld Mic, Headset Lavalier Mic,  
Remote Control) 800 Watt

**User Manual**

We recommend that you read this manual carefully so that you can fully take advantage of the advanced and convenient functions of the Portable PA Speaker and Microphone System. We also recommend that you keep this manual in a safe and handy place for future reference.

**CAUTION**

**WARNING! DON'T OPEN THE MACHINE TO AVOID ELECTRIC SHOCK, PLEASE ASK HELP FROM PROFESSIONAL TECHNICIANS.**

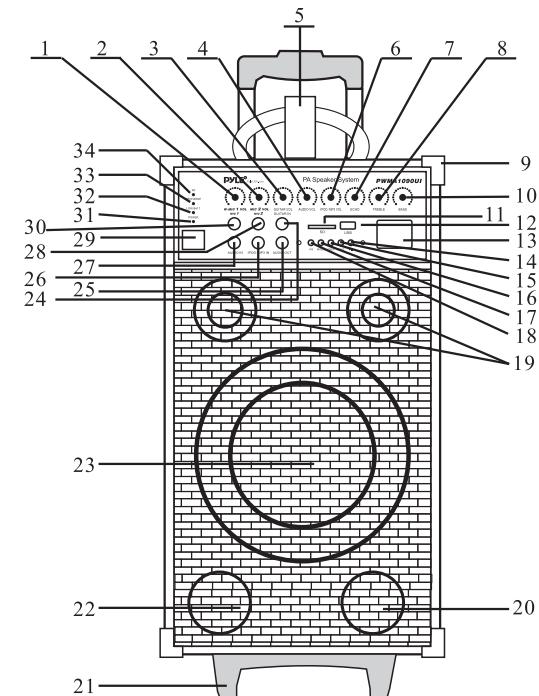


**SAFETY INSTRUCTION**

1. Read this manual carefully before using. Retain for future reference.
2. All warnings on the speaker and in the operating instructions should be adhered to.
3. Do not use this apparatus near water.
4. Do not block any of the ventilation openings. Install in accordance with the manufacturers instructions. Do not install near any heat sources such as radiators, heat registers, stoves, or other apparatus (including amplifiers) that produce heat. Do not install the speaker in an airtight location.
5. Protect the power cord from being walked on or pinched particularly at plugs, convenience receptacles, and the point where they exit from the apparatus.
6. Switch OFF and unplug then use a soft cloth to clean the exterior of the unit if it becomes dirty. If necessary, use a damp cloth that has been wrung out well to wipe it.
7. Unplug this apparatus during lightning storms or when unused for long periods of time.
8. Keep foreign objects and liquid from entering the unit to avoid a short circuit, fire and electrical accidents.
9. Place the speaker in a dry location.
10. Refer all servicing to qualified service personnel. Servicing is required when the apparatus has been damaged in any way, such as power-supply cord or plug is damaged, liquid has been spilled or objects have fallen into the apparatus, the apparatus has been exposed to rain or moisture, does not operate normally, or has been dropped.

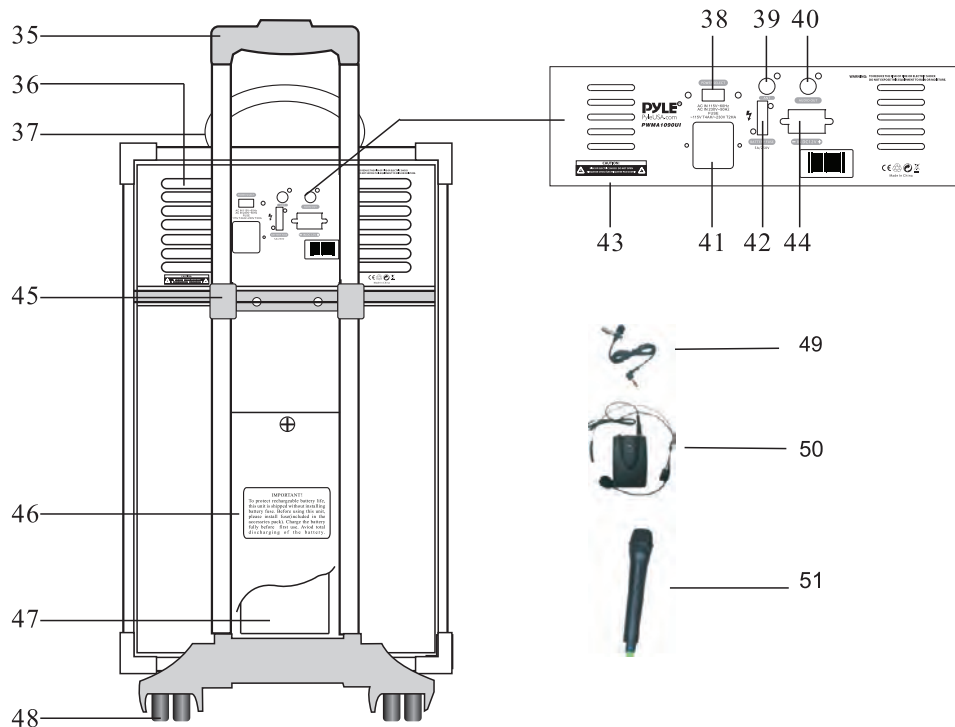
**SYSTEM FUNCTION FIGURE**

- |                                      |                               |
|--------------------------------------|-------------------------------|
| 1. Wireless Mic/MIC 1 Volume Control | 18. Remote Signal Control     |
| 2. MIC 2 Volume Control              | 19. Tweeter                   |
| 3. Guitar Volume Control             | 20. Vent Hole                 |
| 4. Audio Volume Control              | 21. Unit Fixed Stand          |
| 5. Ipod Dock                         | 22. Vent Hole                 |
| 6. Ipod/MP3 Volume Control           | 23. Woofer Speaker            |
| 7. Echo Control                      | 24. Guitar Input Jack         |
| 8. Treble Control                    | 25. Audio Output Jack         |
| 9. Metal Corner                      | 26. Ipod/MP3 Input Jack       |
| 10. Bass Control                     | 27. Audio Input Jack          |
| 11. SD/MMC Card Jack                 | 28. MIC 2 Input Jack          |
| 12. USB Jack                         | 29. Power Switch              |
| 13. Screen                           | 30. MIC 1 Input Jack          |
| 14. Play/Pause Control               | 31. Power Indicator           |
| 15. Next Control                     | 32. Low Voltage Indicator     |
| 16. Prev Control                     | 33. Charge Indicator          |
| 17. Mode Control                     | 34. Wireless Mic RF Indicator |



## SYSTEM FUNCTION FIGURE

- |                             |                                  |
|-----------------------------|----------------------------------|
| 35. Trailer Handle          | 44. DC12V Input Jack             |
| 36. Heating Pane            | 45. Trailer Fixed Stand          |
| 37. Handle                  | 46. Battery Cover                |
| 38. Voltage Selector Switch | 47. 7AH/12V Rechargeable Battery |
| 39. Radio Antenna           | 48. Trailer Truckle              |
| 40. Audio Output            | 49. Lavalier Mic                 |
| 41. Power Socket            | 50. Headset Mic                  |
| 42. AC Fuse/Battery Fuse    | 51. Handheld Mic                 |
| 43. Warning label           |                                  |



## INSTRUCTIONS

### 1. Confirm the power

**AC Power:** Before operation, please confirm the voltage is same as the specified marked on the label. If not, the unit will be damaged.

**Built-in Rechargeable Battery:** Plug-in the AC power when the rechargeable battery voltage is enough but use the battery directly. When the Low Voltage indicator turns yellow, it indicates the low battery, please charge it in time. When the Low Voltage indicator turns OFF, it indicates the voltage is standard now. If the unit will not be used for a long time, please charge the rechargeable battery every 2 months, 8-10 hours for each time.

### 2. Operation Instructions

- Plug the power cable into the socket and connect it with this amplifier system.
- Switch **ON** the amplifier. the Power Indicator comes red.
- During charging, **RECHARGE** indicator turns red, when the indicator is flashing, that means battery is almost full and turns **OFF** when fully charged.
- During charging, you can play music at the same time, the **RECHARGE** indicator will flash with the current consumption indicating the speed of charge. Charge time is in direct proportion to the volume of music. When the battery is full, **RECHARGE** indicator will stop flashing and turns off.
- Put two AA 1.5V battery into handheld microphone (bodypack transmitter), push the Power Switch to the middle, the Power Indicator will flash once, RF Indicator turns green.
- Push the handheld microphone Power Switch (bodypack transmitter) to ON position, your sound can be heard from amplifier when speaking. Adjust the Volume Control/Echo Control/Treble Control/Bass Control to proper position to avoid feedback.
- If the microphone Power Indicator (bodypack transmitter) turns on at all times, it indicates the low battery, please replace the battery.
- Connect relative guitar cable with Guitar Input Jack on this system to play music.

- **IPOD Dock:** equipped with an iPod dock connector that charges your iPod or iPhone and lets you play your favorite music over the powerful 800W speaker. Press "Play", "Pause", "Pre" and "Next" keys to control and play music. The unit will charge ipod automatically once connected to the dock until battery is full. No need to press "Charge" key to get charged. During charging, you can play ipod at the same time.

### 3. Wired Microphone

- Two way wired microphone input jacks are supplied for two people to use simultaneously.
- Plug Wired microphones into the jacks separately. Adjust Echo Control to get better sound.
- Adjust the volume of each microphone to make sure the sound is satisfactory.

**When you turn on the unit, be sure ECHO control is set to low or there will cause sound distortion**

### *What's in the Box:*

- PA Loudspeaker
- Wireless Handheld Microphone
- Beltpack Transmitter
- Lavalier Headset Microphone
- Audio Connection Cables
- Power Cable
- Remote Control

### *System Features:*

- High-Powered 10" 3-Way PA Loudspeaker System
- Full Range Stereo Sound: Built-in Subwoofer, Mid-Range, Tweeter
- 30-Pin iPod/iPhone Dock: Charge Your Device and Play Music
- USB Flash & SD Memory Card Readers
- FM Radio with LCD Digital Display
- Retractable AUX (3.5mm) Input Cable
- Connect & Stream Audio from External Devices
- Built-in Rechargeable Battery for Hours of Wireless Use
- Front-Facing Control Center
- Easy-to-Use Rotary Knobs and Push Button Controls
- Connect up to (2) Microphones and (1) Guitar
- Inputs: (1/4") Mic1, Mic2, Guitar, Audio, iPod/MP3, Balanced Connector Jacks
- Outputs: (RCA) Audio Out, (1/4") Audio Out
- Independent Volume Controls for Mic1, Mic2, Guitar, iPod/MP3, Input
- Portable Enclosure with Telescoping Handle and Caster Wheels
- Echo, Bass and Treble Adjustments
- RF, Charge, Low Battery, and Power LED Indicators
- 35mm Speaker Stand Mount Insert

### *Technical Specs:*

- Power Output: 800 Watt MAX - 400 Watt RMS
- All Inputs/Outputs 1/4" TS/unbalanced
- SPL: 94dB (1W/M)
- T.H.D.: <1%
- Input Wired Mic: -58dB V600
- Dimensions (L x W x H): 12.4" x 13.0" x 26.0"
- 110/220V Switchable