

**PYLE**  
PyleUSA.com



**VISIT US ONLINE:**  
Have a question?  
Need service or repair?  
Want to leave a comment?  
[PyleUSA.com/ContactUs](http://PyleUSA.com/ContactUs)

**PYLE**

**Questions? Issues?**  
We are here to help!  
Phone: (1) 718-535-1800  
Email: [support@pyleusa.com](mailto:support@pyleusa.com)

**PYLE**  
PyleUSA.com



**PWMA120BM**  
Portable Karaoke PA Speaker Amplifier  
and Microphone System  
Wireless BT Streaming, Handheld Mic,  
Built-in Rechargeable Battery

**User Manual**

## PRODUCT DESCRIPTION

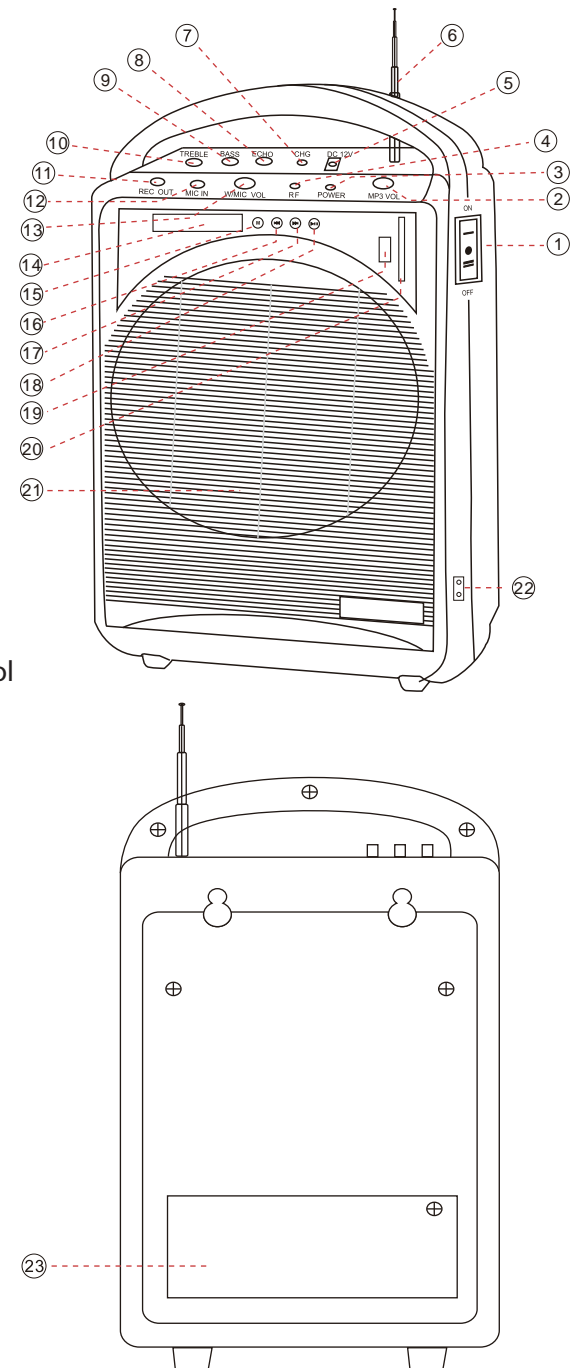
1. Built-in Wireless BT MP3 player.
2. Built-in one channel wireless microphone and one 6.35mm MIC input to connect wired dynamic MIC. Two persons can speak or sing at the same time.
3. Separate wired/wireless MIC and MP3 volume controls.
4. One 3.5mm REC out can be connected to a recording device or to the input jack of a power amplifier to further amplify and enlarge the audio power.
5. Bass, Treble and Echo controls. Suitable for karaoke.
6. Powered externally with AC, 12V DC or internally with built-in 12V/1.3A rechargeable battery. Suitable for both indoor and outdoor use.
7. Ideal for many applications, including use in classrooms, conference/meeting rooms, churches, health clubs and small auditoriums.

## CAUTION

1. This unit is with speaker inside which can cause magnetic field.  
Keep this unit at least 60cm away from computer or TV.
2. This unit is with built-in rechargeable battery. Please recharge the battery every 2 months if you are not going to use the unit for a long period of time or the battery may be damaged.
3. If the battery is damaged please replace with same specifications battery.  
Dispose the damaged battery environment friendly.
4. Free from high temperature. Don't expose the device to the hot equipment.
5. Don't place the device in the environment of humidity and dirt.
6. Place the device in the ventilated environment.
7. Don't pull the power cord while you pull out the plug.  
Hold the plug tightly to pull it out.
8. Pull out the AC power if you will not use the device for a long time.
9. Your operation must be subjected to the specified voltage marked near the AC in jack and complied with this guide.

## PARTS DESCRIPTION

1. Power ON/OFF switch
2. MP3 volume control
3. Power ON LED indicator
4. RF ON LED indicator
5. External DC input jack
6. Wireless mic receiver antenna
7. Charge LED indicator
8. Echo level control
9. Bass level control
10. Treble level control
11. Record out jack
12. MIC Input jack
13. Wired/wireless MIC volume control
14. MP3 display
15. MP3 mode
16. MP3 previous/volume-
17. MP3 next/volume+
18. MP3 play/pause
19. USB port
20. Micro SD Memory Card Slot
21. Speaker
22. AC input jack
23. Battery compartment



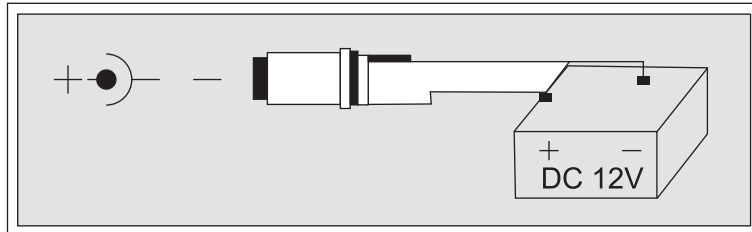
## AC POWER OPERATION

Plug one end of provided AC cord into the AC input jack on the right side of the amplifier. Then plug the other end of AC cord into AC power outlet. Turn on the unit using the power/volume switch.

**NOTE:** To avoid damaging your unit, make sure AC power is same as that marked near AC input jack.

## DC POWER OPERATION

This unit can be powered also using external 12V DC power. Connect external 12V DC power to DC input jack on top panel of the amplifier. Observe the correct polarity as following.



## RECHARGEABLE BATTERY OPERATION

This unit can be powered internally using the built-in rechargeable battery. When AC power is connected, if battery charging indicator lights red, the rechargeable battery is not fully charged and will be allowed to charge while the unit is powered by the AC power. (**Note:** Turning off the unit power switch will allow the battery to recharge more quickly.) If the battery charging indicator lights green, the battery is fully charged and ready to power the unit alone. Shut off the power switch and disconnect the AC power. Turn the unit back on and the rechargeable battery will power the unit alone.

## CONNECTION

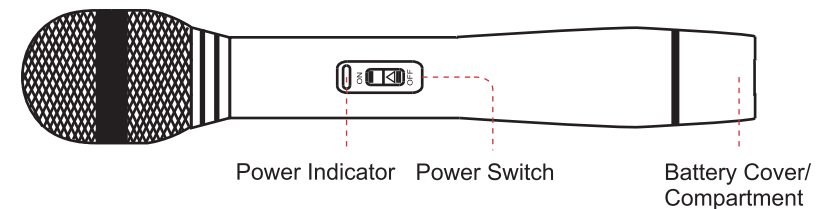
The **REC OUT** socket can be connected to a recording device or to the input jack of a power amplifier to further amplify and enlarge the audio power.

The **MIC IN** socket can be connected to wired dynamic MIC. Keep MIC head away from the speaker of main unit to avoid feedback.

## WIRELESS BT/MP3 OPERATION

1. Insert flash drive into USB port or Micro SD card into Micro SD Memory Card Slot, system will play the music in flash drive or Micro SD card automatically. If both flash drive and Micro SD card are inserted, system will play the music in flash drive. To play music in Micro SD card press MODE button to switch to SD mode.
2. To play music from your mobile phone etc via Wireless BT, press MODE button to switch to BT mode. Turn on Wireless BT function of your mobile phone and search for **Pyle Audio** and connect. Then you can play your music in mobile phone.

## WIRELESS MICROPHONE OPERATION



1. Open the battery cover and install a fresh 9V battery, observing the correct polarity and then close the cover.
2. Push power switch to ON position. Power indicator will light red, indicating usable battery strength. In the case of low battery power or a dead battery, the power indicator either will become dim or not go on at all, indicating that the battery should be replaced with a fresh one.
3. The RF indicator on the amplifier should now be lit.
4. Adjust the wireless MIC volume control of the amplifier to a comfortable listening level as desired.
5. If the microphone is not going to be used for any length of time, push power switch to OFF position and remove the battery.

## ATTENTION:

1. If feedback (howling sound) occurs, try first turning down the treble control. If feedback still is present, try turning down the volume or repositioning this unit with respect to the wired or wireless microphone being used.
2. Extend the antenna fully whenever using the wireless microphone to ensure optimum performance and maximum range.

### **Features:**

- Versatile Public Address Microphone & Speaker
- Wireless BT Music Streaming Ability
- Lightweight, Portable & Powerful
- USB Flash & SD Memory Card Readers
- MP3 Digital Audio File Compatibility
- Built-in Rechargeable Battery, 10+ Hour Operation
- 1/4" Microphone Input Jack
- Audio (3.5mm) Output, Connect External Speakers
- Full Range Stereo Sound Reproduction
- Impressive Bass Response
- Convenient Carry Handle
- Includes Wireless VHF Handheld Microphone
- Echo, Bass, Treble Audio Configuration Controls
- Ability to be Powered by External Wall Power Adapter
- Perfect for Karaoke, Crowd Control, House Parties

### **Wireless BT Streaming:**

- Wireless Music Streaming Audio
- Works with All of Your Favorite Devices  
(Smartphone, Tablet, Computer, Laptop, MP3 Player, etc.)
- Wireless BT Version: 3.0
- Wireless BT Network Name: Pyle Audio
- Wireless BT Range: 30' ft.

### **What's in the Box:**

- Compact PA Speaker
- Wireless Handheld Microphone
- Power Cable
- 9V Battery

### **Technical Specs:**

- Battery Operated Mic: 1 x '9V' Battery Required, Included
- MAX Power Output: 60 Watt
- Speaker Impedance: 4 Ohm
- Maximum USB/SD Flash Memory Support: 32GB
- Digital Audio File Support: MP3
- Battery: Lead-Acid, 3.7V
- Power: DC 12V, AC 120V
- Dimensions (L x W x H): 7.2" x 4.3" x 11.6" -inches

