

# PYG60

# PYLE

Professional Guitar Seat with Padded Cushion PyleUSA.com

Heavy-Duty Ergonomic Backrest and Fold Out Guitar Stand

## USER MANUAL

### ASSEMBLING INSTRUCTIONS

#### STEP 1:

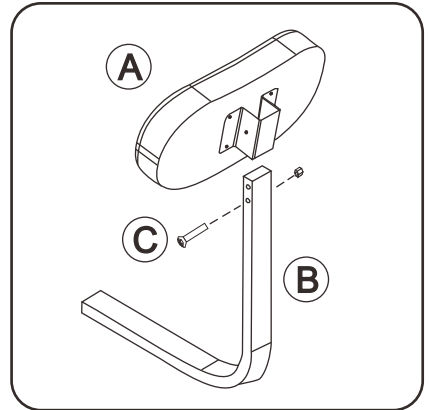
**Install Backrest (A) on Support Bar (B).**

**Tip:** It may help to slightly compress the pivot spring located inside the bracket.

#### STEP 2:

**Insert Backrest Pivot Bolt (C) and Tighten.**

**Tip:** You can select between two different hole positions based on seatback height preference.



#### STEP 3:

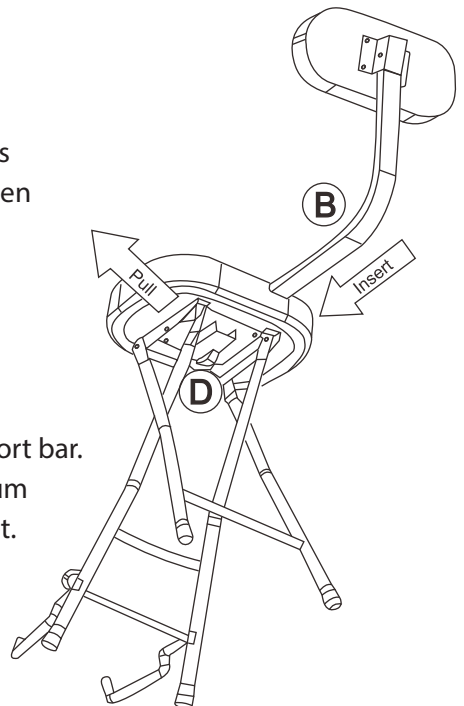
**Open Stool by Pulling Lock Pin Ring**

**Tip:** The lock pin is located under the seat and is spring loaded, it automatically locks into open and closed positions.

#### STEP 4:

**Insert Support Bar (B) into Seat Bracket (D).**

**Tip:** The distance of the seatback is adjustable depending on how far you insert the support bar. For stability, insert support bar so a minimum of 1" is extending beyond far side of bracket.



#### Questions? Issues?

We are here to help!

Phone: (1) 718-535-1800

Email: [support@pyleusa.com](mailto:support@pyleusa.com)

## **Features:**

- EVA Foam Padded Cradles Fit All Guitar Types
- Finish Friendly Patch to Protect Guitar Neck when Using Stand
- Non-slip Rubber Feet
- Convenient Foot Rest for Comfortable Performance
- Cradle Folds Up When Not in Use
- Guitar Seat with Built-in Guitar Stand
- Collapsible Design
- Quick Release Pin for Compact Storage
- Durable Padded Seat Cushion
- Removable Ergonomic Backrest
- Holds Acoustic, Electric, and Bass Guitars
- \*Some Assembly Required

## **What's in the Box:**

- Guitar Seat with Padded Cushion

## **Technical Specs:**

- Max. Load Capacity: 300 lbs.
- Construction Material: Steel
- Cradle Width: 5.9" - 9.5" -inches
- Seat Cushion Size (L x W): 13.78" x 10.24" -inches
- Seat Height: 27.17" -inches
- Minimum to Maximum Backrest: 11" - 13.78" -inches
- Overall Product Dimension (L x W x H):  
**1.73" x 1.38" x 42.52" -inches**



**WARNING:**

This products can expose you to a chemical or group of chemicals, which may include "**Lead And Cadmium**" which is known in the state of California to cause cancer, birth defects, or other reproductive harm. For more info, go to <https://www.p65warnings.ca.gov/>.