



PYWM66

TV Wall Mount Bracket

Fits for 42-70" LED/LCD/OLED & Plasma Flat Screen TV
with 2x Standard Weight Support, Weight Up to 132lbs.

USER MANUAL

⚠ CAUTION:

Please read this instruction carefully before assembly.

- Fits for 42-70" plasma and LCD TV.
- Weight Capacity: 60Kg (132Lbs).

⚠ CAUTION:

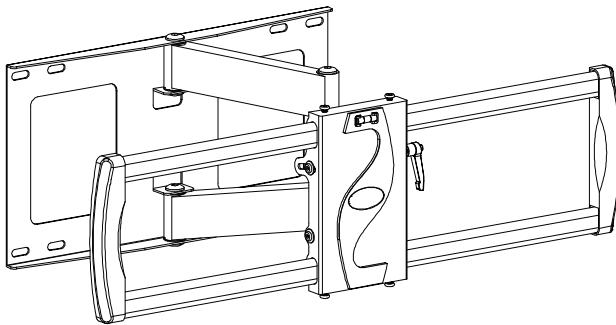
SAFETY WARNING:

- Never let children climb on product or play with product.
- Do not sit or stand on product.
- Do not fasten a TV that is heavier than the recommended load rating to the mount.
- Using suitable concrete wall or wood stud wall.
- Improper installation may cause property damage and/or personal injury, so the installation must be done by two qualified contractors. The manufacture is not liable for damage or injury caused by incorrect mounting, assembly or use.
- Improper handling can result in cuts and lacerations.
- Pictures for reference only, subject to our available products.
- Keep this instruction for future reference.

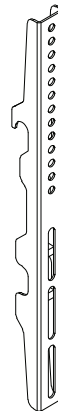
⚠ CAUTION:

This mount is intended for use with TV weights not exceeding "maximum weight capacity 132lbs." The wall itself has to be capable of supporting 2X standard weight plus 200lbs. Please don't over tighten screws in order to avoid any injury. Use with products heavier than the maximum weights indicated may result in collapse of the mount and its accessories causing possible injury.

PART LIST

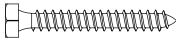

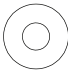



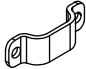
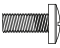
A-Wall plate 1pc



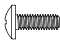
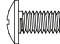
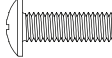


B-Bracket 2pcs

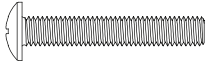
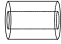


WALL MOUNTING HARDWARE




			
01 Lag bolt 4pcs	02 Anchor 4pcs	03 M8 washer 4pcs	04 Allen Key 1pc

	
05 Tube 2pcs	06 Bolt 8pcs

TV MOUNTING HARDWARE

				
a--M4x12 bolt 4pcs	b--M6x12 bolt 4pcs	c--M8x25 bolt 4pcs	d--M4x30 bolt 4pcs	e--M6x35 bolt 4pcs

			
f--M8x50 bolt 4pcs	g--M6x17mm spacer 4pcs	h--M8x22mm spacer 4pcs	i--M8x10mm spacer 4pcs

		
j--2.5mm spacer 8pcs	k--M4 washer 4pcs	l--M6 washer 4pcs

Step 1: Remove the plaster board on the surface of concrete wall when assembling mount on the concrete wall. Hold Wall plate (A) against wall at desired position on concrete wall, then using a pencil mark 4 hole locations. Then drill holes according pencil marks using 3/8" size drill bit to a depth of 2.5". Then you will need to use wall anchors **02**. Insert wall anchors **02** into holes, you may need to use hammer to lightly tap wall anchors into wall. Then fix Wall plate (A) to the wall with lag bolt **01** and washers **03**. (Figure 1)

⚠ CAUTION:

The concrete wall minimum thickness no less than 5.5 inches, and surface covering can't more than 3/8 inches.

If you mount TV mount into wood studs, pre-drill the mark 4 holes using 7/32" drill bit to a depth of 2.5", fix Wall plate (A) to the wall with lag bolt 07 and washers 03. (Figure 2)

⚠ CAUTION:

The wood stud min size is 2x4 inches, and surface covering can't more than 5/8 inches. Drill hole on the wooden pillars middle line.

⚠ CAUTION: Don't use it on the concrete block.

Concrete wall

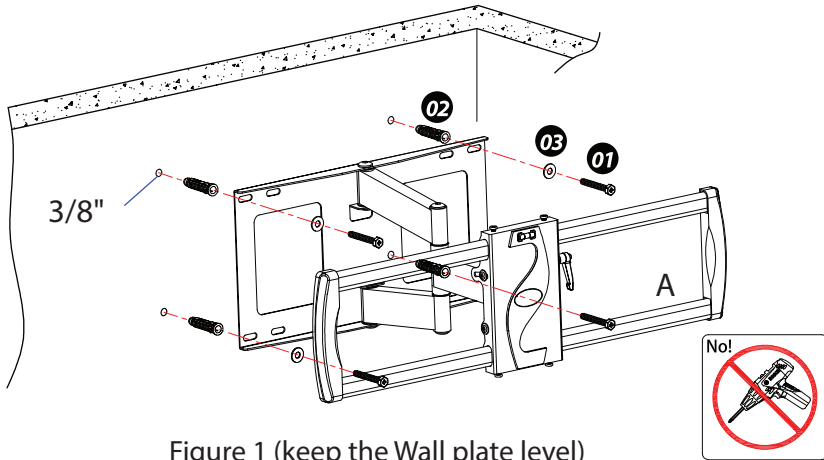
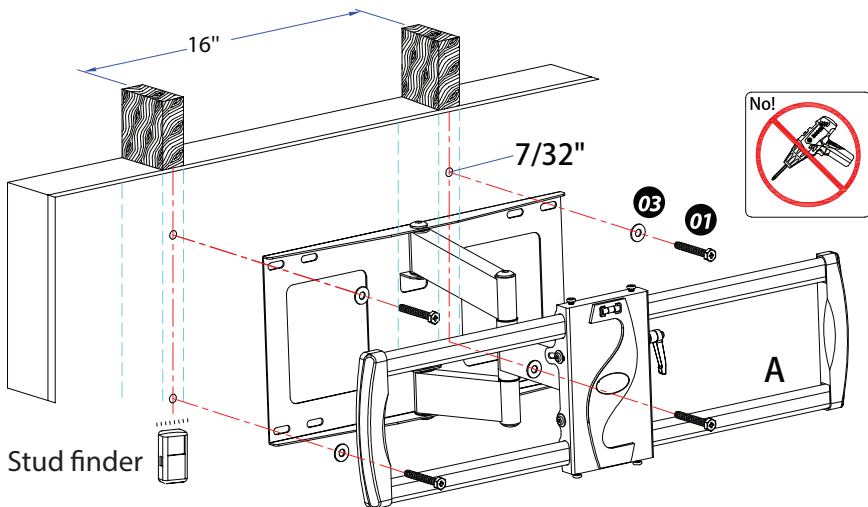


Figure 1 (keep the Wall plate level)

Wood Double Studs



Stud finder

Figure 2 (keep the Wall plate level)

Step 2: Attach TV Bracket B to the back of TV, choose corresponding bolt, washer and spacer to fix the holes of TV rear. (Figure 3) If the back of TV is not flat, or the bolts used to assemble TV are too long, or there is interfere between TV bracket and cable inlets, we highly recommend you to use spacers.

⚠ CAUTION: Using incorrect bolts may damage your TV.

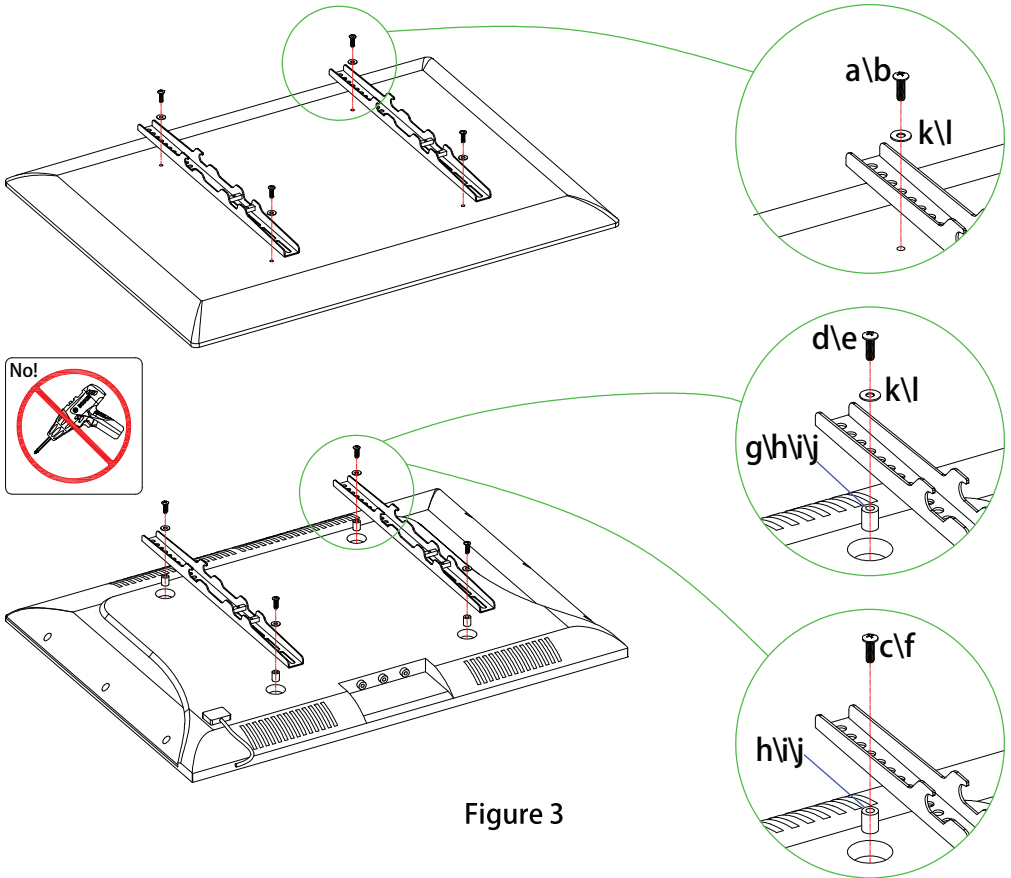


Figure 3

Step 3: Hang pre-assembled TV unit on the wall plate and attach tube clips 05 to the brackets using screws 06. (figure 4)

⚠ CAUTION: This step must require 2 or more professional to finish.

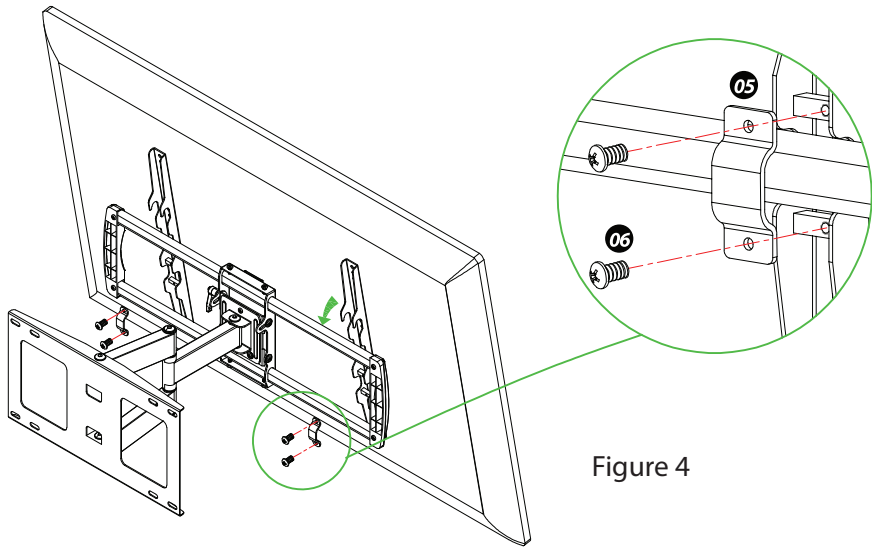


Figure 4

Step 4: Adjust the TV angle and manage the wire (Figure 5)

Check and tighten all screws you can use handle to adjust tilt angle.

Tighten handle when the screen is in a desire angle. Manage the wire to avoid the wire will be damaged by TV when turning and fix the wire clip with the wire tie according to the length of the wire.

⚠ CAUTION:

Manage the TV wire and do not twist the wire on the turning area of TV.

When fixing the wire clip, pls be sure the TV can extend the farmost distance from the wall.

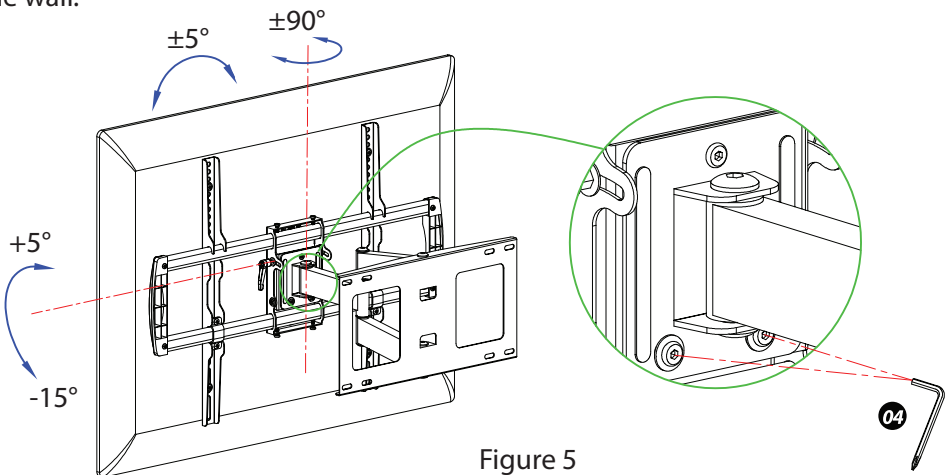
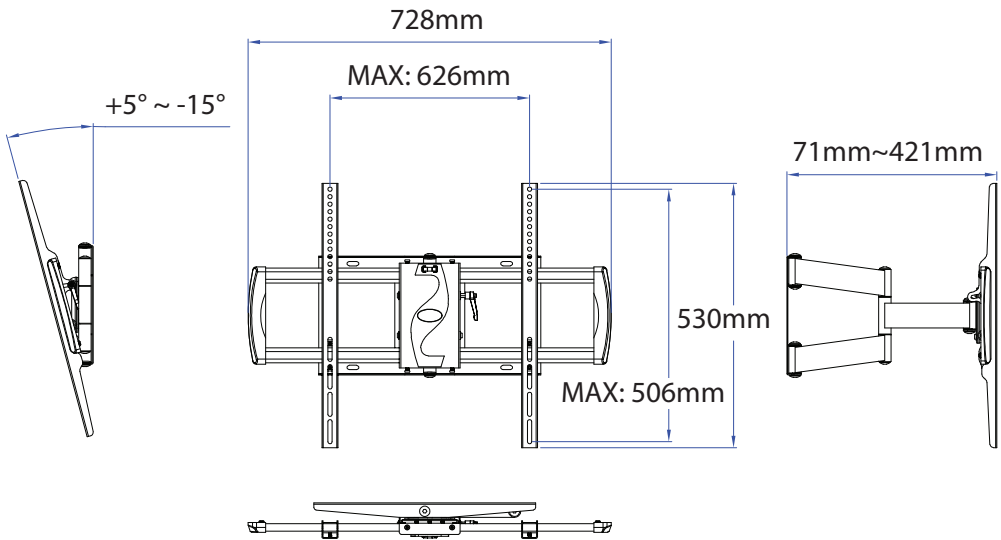


Figure 5

PRODUCT DIMENSIONS:



PAY EXTRA CARE AND ATTENTION WHEN YOU FASTEN TWO TV MOUNTS TO THE BACK PANEL OF TV IN STEP 2. MAKE SURE THE APPROPRIATE MOUNT HARDWARE IS BEING USED PROPERLY.

1. Select correct Mounting Hardware according to the screw hole size of your TV, discard any remaining screws or spacers.
2. Carefully lay your TV on its face on a non-abrasivesurface, making sure to lay padding underneath it so as not to damage the screen.
3. Place left TV mount and right mount in the appropriate position, make sure it is **CENTERED** on the back of the TV and **LEVEL** with on another.
4. Only install this product on a perpendicular wall, do not install on the ceiling.

PYWM66

TV Wall Mount Bracket

Fits for 42-70" LED/LCD/OLED & Plasma Flat Screen TV with 2x Standard Weight Support, Weight Up to 132lbs.

Features:

- Fits for 42" to 70" TV or Fits for 16" Studs Plus Concrete Wall
- Supports 2x Standard Weight
- Saves Space with Stylish Appearance
- Tilt TV for Anti-glaring
- Reduces Glare for Better Viewing
- Easy to Install
- Heavy Duty Steel Construction
- Automatic Robot Welding Technology
- Open Wall Plate Design for Outlets
- TV can Move Easily to be Centered
- Suitable to Use for Home, School, and Office

What's in the Box:

- (1) Wall Plate
- (2) Bracket
- Hanging Hardware

Technical Specs:

- Mount Type: Large Full Motion Mount
- TV Size: 42"- 70"
- Fitting Studs Spacing: Up to 16
- Max VESA: 23.62" x 19.69" -inches
- Weight Capacity: 132 lbs. (60 Kg.)
- Tilt angle: +5°/-15°
- Left to Right Swivel Range: 90°
- Rotation Range: +5°~-5°
- Distance to Wall: 2.80" ~ 16.57" -inches
- Construction Material: Steel
- Product Dimension (L x W x H): 28.66" x 20.87" x 2.76" -inches



PYLE

PyleUSA.com



VISIT US ONLINE:

Have a question?

Need service or repair?

Want to leave a comment?

PyleUSA.com/ContactUs

PYLE

Questions? Issues?

We are here to help!

Phone: (1) 718-535-1800

Email: support@pyleusa.com