

serenelife™



SL4PCBG50 - SL4PCGR51

4 Pcs. Patio Outdoor Rattan Furniture Set

Includes 1 Double Chair & 2 Single Chairs
with Soft Cushion, and 1 Glass-top Coffee Table

USER GUIDE

Follow these instructions to ensure you spend your time enjoying the product instead of putting it together. But, if you need more information than what is provided here, please visit SereneLifeHome.com.

Features:

- Easy to Assemble and Move
- Modern Design for Modern Life
- Soft Cushions for Comfortable Sit
- Smooth and Very Relaxing
- Anti-rust and Anti-corrosion Treatment for Long Service Life
- Durable and Sturdy Rattan Wicker
- Easy to Assemble
- Tempered Glass Coffee Table
- Zipper Designed Cushion Covers for Easy Detachable
- Outdoor/Indoor Patio Furniture with Washable Cushions
- Comfortable Beige Seat Cushions made with Water-resistant Fabric
- Weather-resistant Resin Wicker Rattan
- Durable Powder-coated Steel Frame
- Double Chair Offers a 500 lbs. Maximum Weight Capacity
- Ideal for Patio, Backyard, Porch, Garden, Poolside, Balcony or Pool Side Area

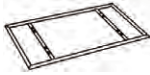




What's in the Box:

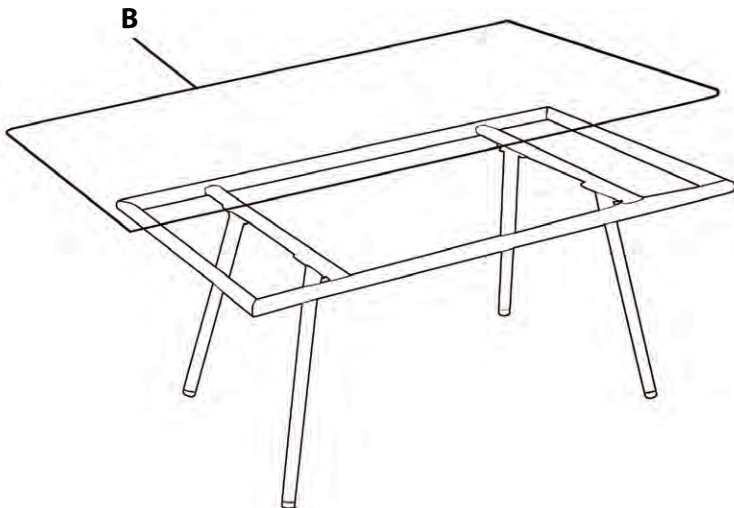
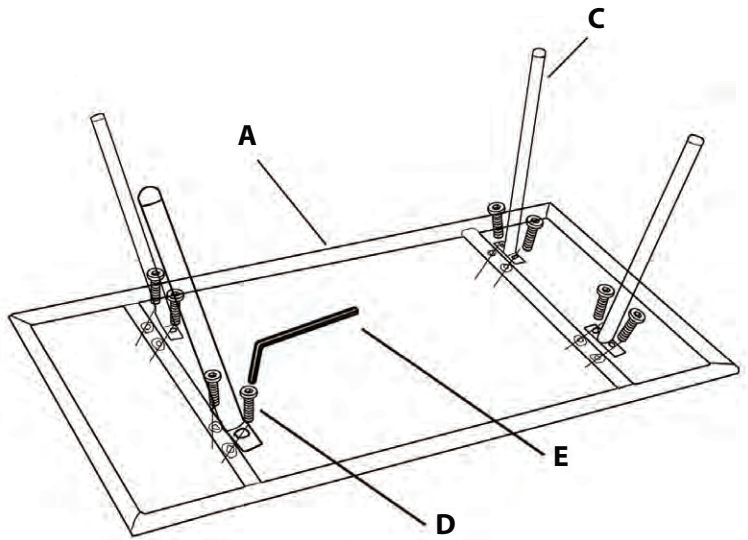
- (2) Single-Seat Chairs
- (1) Double Seat Chair
- (1) Glass Coffee Table

Technical Specs:





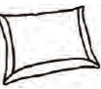


- Construction Material: PE Rattan & Steel Frame
- Cushion: Polyester Fabric and Sponge Padded
- Max. load Capacity: 220 lbs. for one seat
- Single Chair (L x W x H): 25.6" x 28" x 33" -inches
- Double Chair (L x W x H): 47.3" x 28" x 33" -inches
- Table (L x W x H): 31.5" x 17.7" x 14.2" -inches
- Cushion for Single Chair (W x D): 20" x 18.5" -inches
- Cushion for Double Chair (W x D): 20" x 40.2" -inches

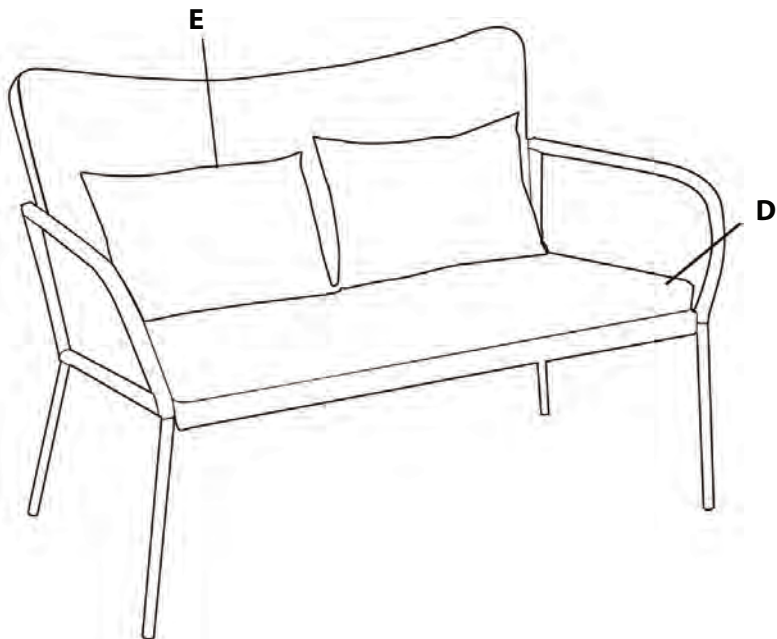
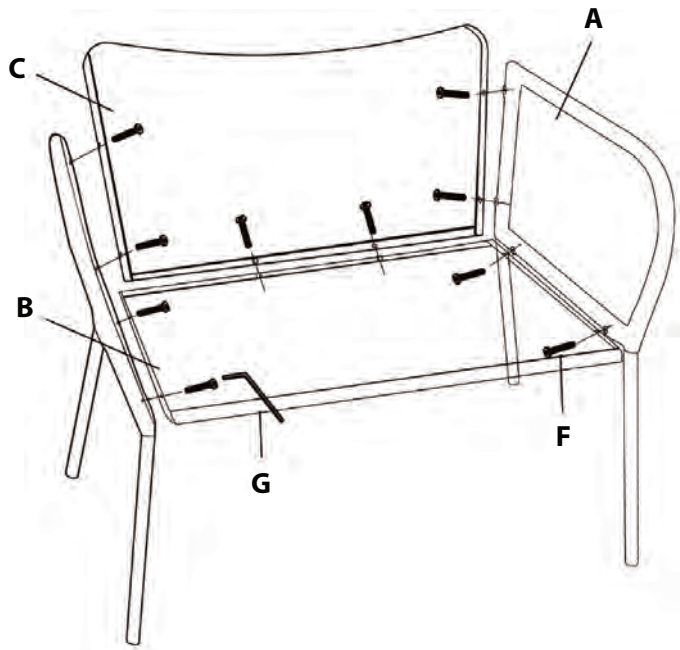
GLASS COFFEE TABLE ASSEMBLY INSTRUCTIONS

A	1	
B	1	
C	4	
D	8	
E	1	










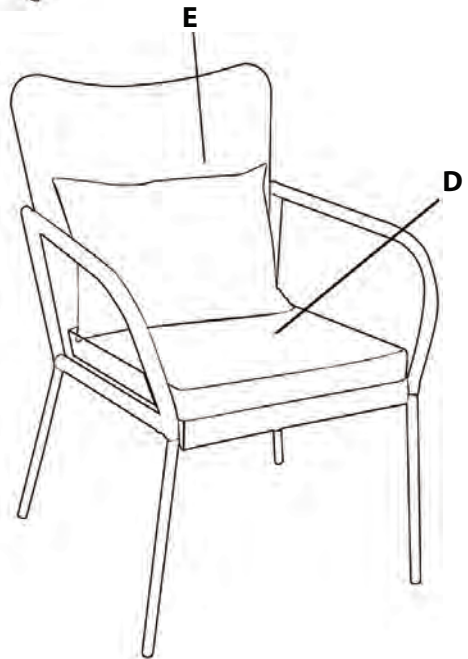
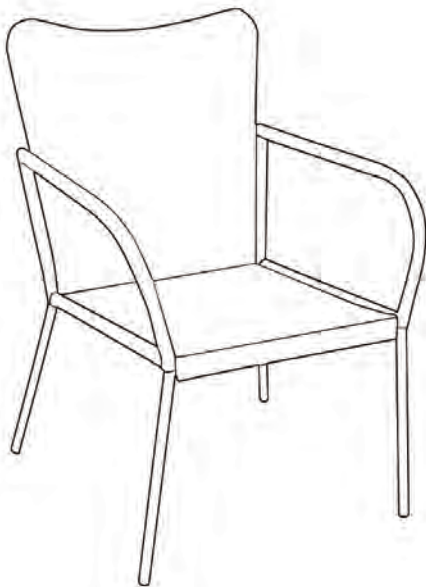
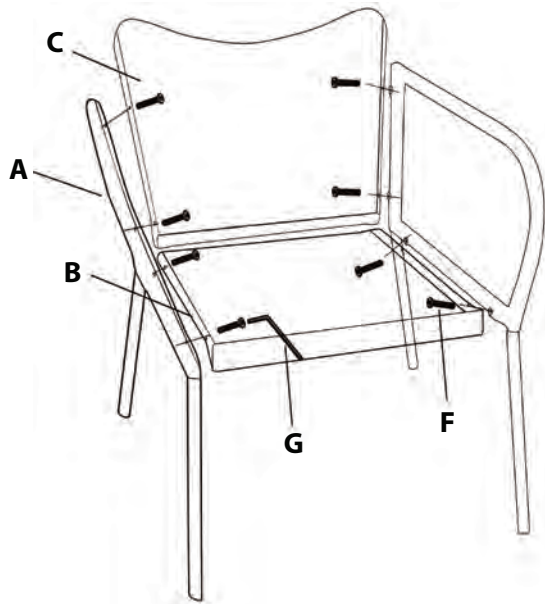
DOUBLE SEAT CHAIR ASSEMBLY INSTRUCTIONS

A	2	
B	1	
C	1	
D	1	
E	2	
F	10	
G	1	



SINGLE-SEAT ASSEMBLY INSTRUCTIONS

A	2	
B	1	
C	1	
D	1	
E	1	
F	8	
G	1	



The logo for Serenelife features the word "serenelife" in a lowercase, black, sans-serif font. A small blue infinity symbol is positioned above the letter "e". A trademark symbol (TM) is located at the end of the word. The logo is centered on a white background with blue wavy borders at the top and bottom.

serenelife™

Questions? Comments?

We are here to help!

Phone: (1) 718-535-1800

Email: support@pyleusa.com