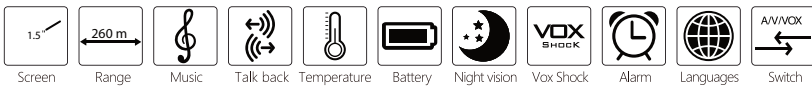


SereneLife



SLBCAM550EU - SLBCAM550UK

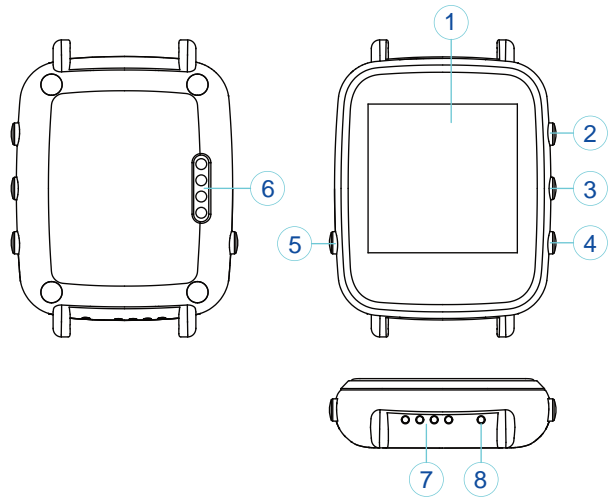
Adjustable Baby Safeguarding Camera

Smart Stylish Adjustable Viewing Angle Mounted Night Vision
Baby Secure Camera Monitor

USER MANUAL

OVERVIEW OF YOUR PARENT UNIT

1. LCD display
2. Volume +/ up / VOX ON/OFF key
3. Volume - / down / PTT key
4. Menu key/ OK / Music play ON/OFF key
5. Power key/ Return key/ Time display key
6. Power wireless connector
7. Speaker
8. Microphone



OVERVIEW OF YOUR BABY UNIT

1. Light sensor
2. Camera lens
3. Power indicating LED
4. Infrared LED
5. Speaker
6. Pair key
7. Microphone
8. Power adapter connector
9. Temperature sensor

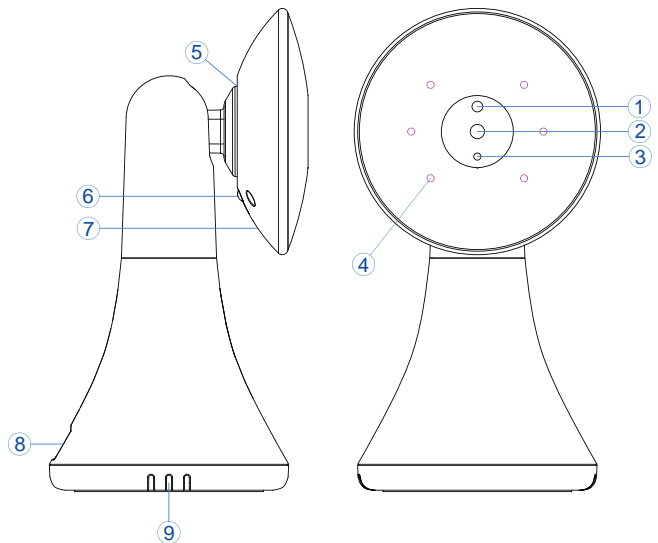


TABLE OF CONTENTS

1. Safety Instructions	4
2. Overview of the charging stand	5
3. Camera's direction adjustable	5
4. Parent unit power supply	6
5. Baby unit power supply	6
5.1 Setting up	7
6. Monitoring screen	8
6.1 Menu options/main menu	8
7. Menu Options	9
7.1 Camera registration	9
7.2 Alarm	9
7.3 Vox	9
7.4 Settings	10
a. Language	10
b. Time and date	10
c. Temperature unit	10
d. Anti-flicker	11
e. LCD backlight	11
f. System info	11
8. Features and Technical Specs	12

SAFETY INSTRUCTIONS

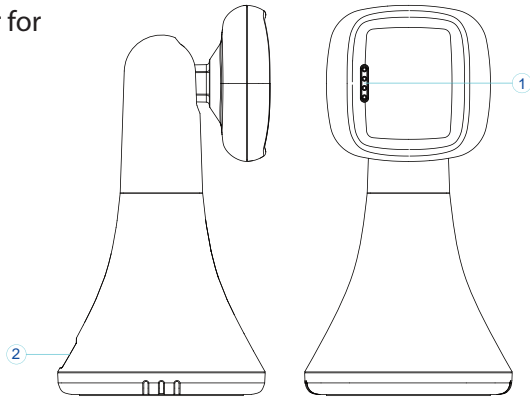
WARNING:

This baby monitor is compliant with all relevant standards regarding electro-magnetic fields and is, when handled as described in the User's Guide, safe to use. Therefore, always read the instructions in this User's Guide carefully before using the device.

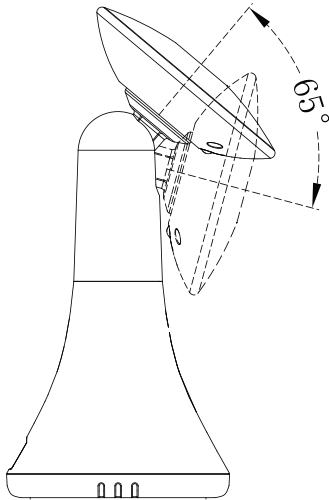
1. Adult assembly is required.
Keep small parts away from the children when assembling.
2. This product is not a toy. Do not allow children to play with it.
3. This baby monitor is not a substitute for responsible adult supervision.
4. Do not place the baby unit or cables in the cot or within arm's reach of the baby (at least 1 meter away).
5. Keep the cords out of reach of children.
6. Do not use the baby monitor near water or a heat source.
7. Only use the power adapters provided.
8. Do not touch the plug contacts with sharp or metal objects.

OVERVIEW OF THE CHARGING STAND

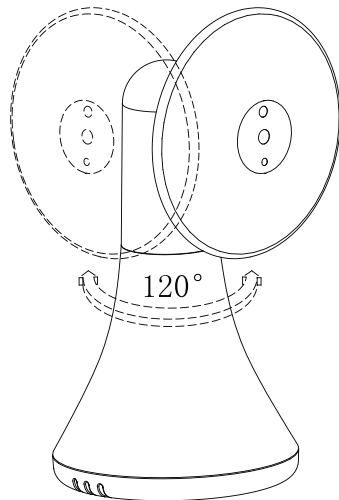
1. Wireless charging connector for the parent unit
2. Power adapter connector



CAMERA'S DIRECTION ADJUSTABLE

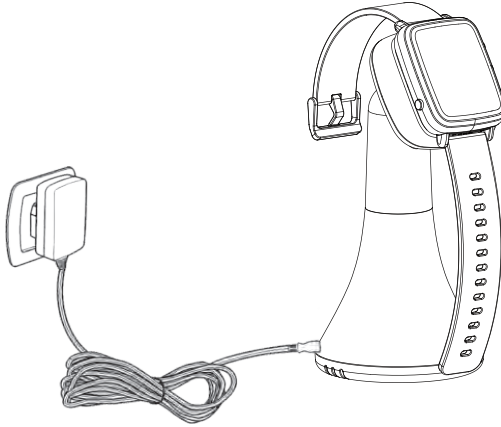


65° up and down rotation



120° left and right rotation

PARENT UNIT POWER SUPPLY



Charging the parent unit fully before use is recommended. This will allow the unit to operate battery in the event of a power failure.

1. Connect the plug of the power adapter to the charging stand
2. Simply place your parent unit to the wireless charging connector

NOTE: Only use the power adapter provided

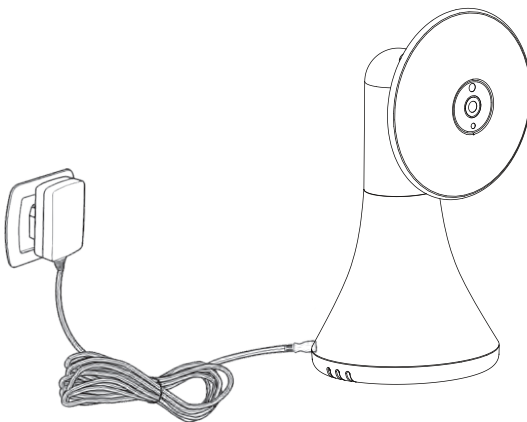
3. The parent unit will display charging icon means the battery starts charging

BABY UNIT POWER SUPPLY

1. Connect the small plug of the power adapter to the baby unit and the other end to the mains socket.

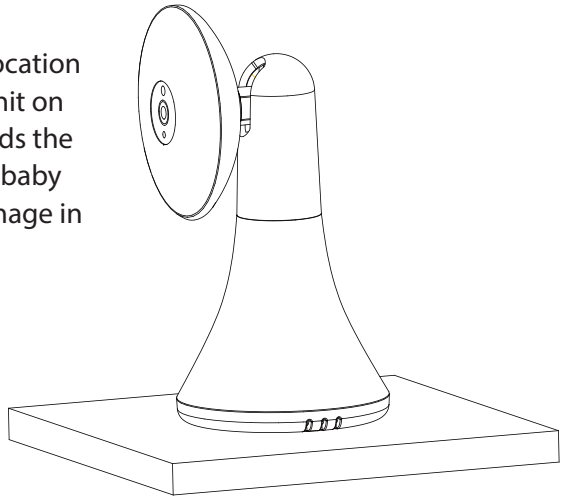
NOTE: Only use the power adapter provided

2. A blue light led will display indicates the baby unit is working.



SETTING UP

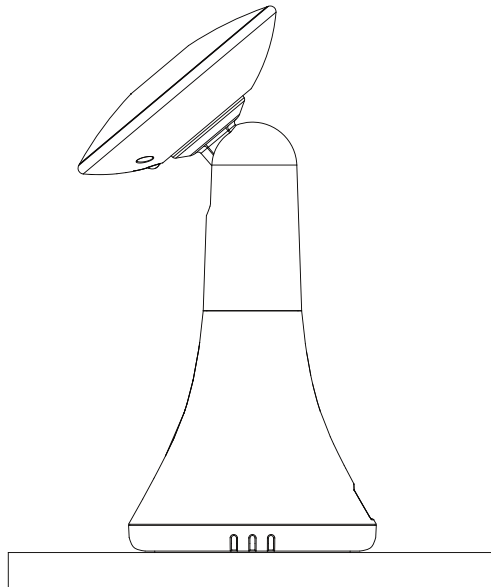
Place the baby unit in a convenient location (e.g. on a table) or mount the baby unit on the wall, point the camera lens towards the area you want to monitor. Adjust the baby unit until you are satisfied with the image in the parent unit.



NOTE:

- **DO NOT** place the baby unit within baby's reach!
- If there is interference on the picture or sound, try moving the unit to the different locations, and ensure they are not close to other electrical equipment.

The baby unit can be mounted on the wall



MONITORING SCREEN

1. Signal strength indicator
2. Temperature of the baby's room
3. Lullaby is playing
4. VOX function activated
5. Alarm activated
6. Battery indicator
7. PTT function activated
8. Date and time (HH:MM AM/PM DD/MM)



MENU OPTIONS/MAIN MENU



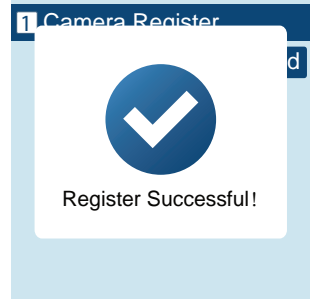
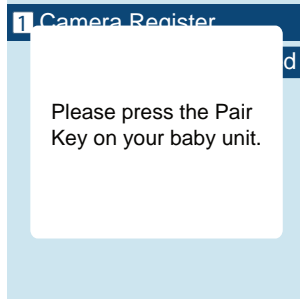
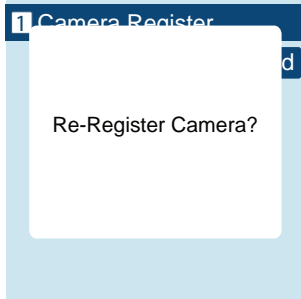
Press "OK/Menu" Key at monitoring screen will enter the main menu, it contains 4 items:

1. Camera
2. Alarm
3. VOX
4. Settings

You can press the "up" Key or "down" Key to move the cursor to select an item and press "Menu" key will enter the sub-menu which you selected. Press "Return" key will be back to the monitoring screen.

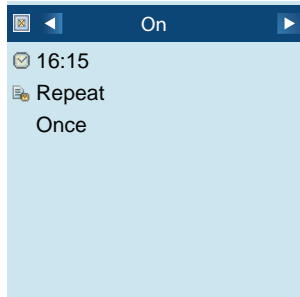
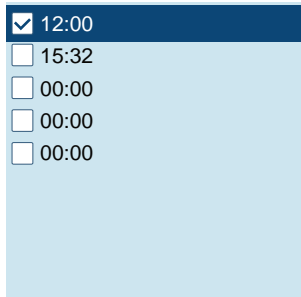
CAMERA REGISTRATION

Press “OK/Menu” key to enter registering screen, then push the “pair” key on the back of baby unit within 10 seconds.

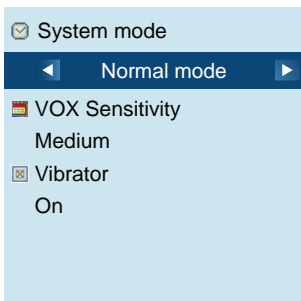


ALARM

Press “down” key to move the cursor and “up” key to change value



VOX



System mode

This menu allows you to choose the working mode from the following:

Normal mode/VOX mode.

- **VOX Sensitivity**

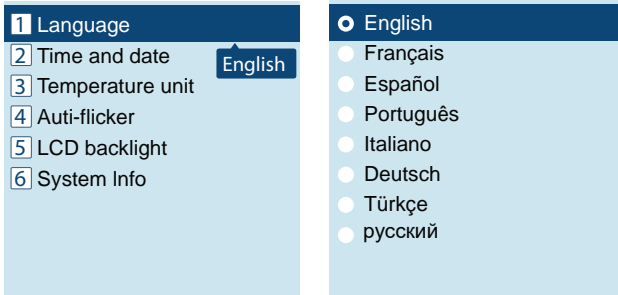
Switch the VOX sensitivity at Low/Medium/High level.

- **Vibrator**

Press “up” key to choose **ON/OFF**

LANGUAGE

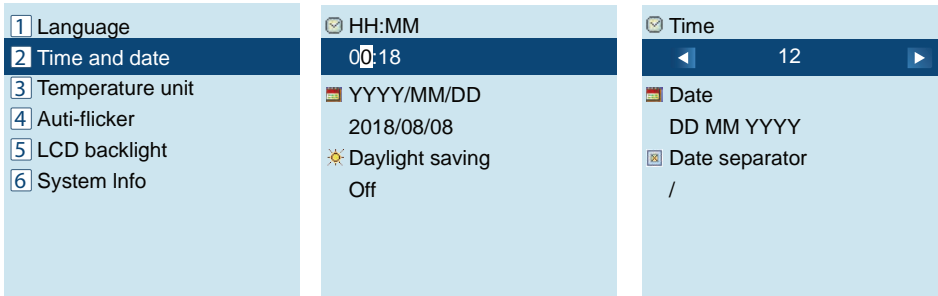
Language setting menu allows you to choose your language from the following:
English/French/ Spanish /Portuguese/Italian/German/Turkey/Russian



TIME AND DATE

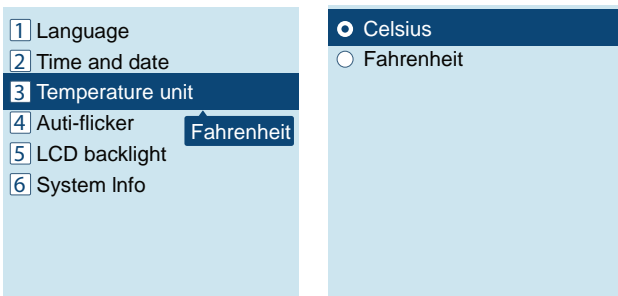
There are 2 items in this menu (Set time/ date & Set format)

Press “down” key to move the cursor and “up” key to change the value.



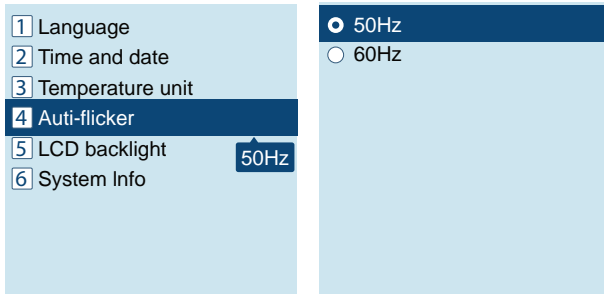
TEMPERATURE UNIT

Switch the unit to Celsius or Fahrenheit.



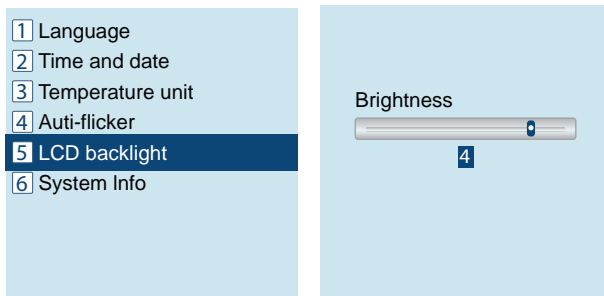
ANTI-FLICKER

You are able to adjust the frequency of 50/60 HZ to suit your lighting for anti-flicker.



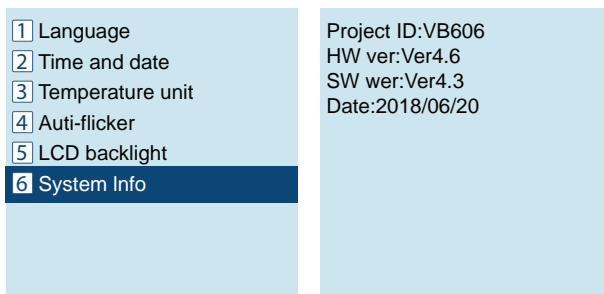
LCD BACKLIGHT

You are able to adjust the brightness of the LCD you are viewing



SYSTEM INFO

Contains system information such as Project ID, Hardware version, Software version, build date etc.



SLBCAM550EU - SLBCAM550UK

Adjustable Baby Safeguarding Camera

**Smart Stylish Adjustable Viewing Angle Mounted Night Vision
Baby Secure Camera Monitor**

Features:

- Professional Home Baby Video Monitor
- Long Lasting, Heavy Duty Baby Monitor System
- Smart Camera Wrist Watch
- Adjustable Camera Viewing Angle
- Wireless Baby Monitoring System
- Convenient, Reliable, Secure
- Portable & Wearable Watch Display Screen for Remote Viewing
- 2.4G Video Transmission for Extended Wireless Range
- Built-in Microphone & Speaker for 2-Way Communication
- User-Friendly Control Interface
- Night Vision Camera Illumination
- Simple Setup & Hassle-Free Operation
- Built-in Thermometer for Room Temperature Monitoring
- Button-Activated Musical Melodies & Lullabies for Soothing Comfort
- Universal Wall / Ceiling Mountable Camera
- Perfect for Baby Crib & Child Play Room Monitoring

What's in the Box:

- Video Smart Watch
- Charging Base
- Baby Monitor Camera
- Wall Power Adapters

Questions? Issues?

We are here to help!

Phone: (1) 718-535-1800

Email: support@pyleusa.com

Smart Watch Monitor:

- Next Generation Stylish Design
- Displays Video via the Mounted Camera
- 1.54" -inch Digital Display Screen
- PTT (Push-to-Talk) for Voice Messaging
- Built-in Rechargeable Battery
- Alarm Clock Reminder Settings
- Room Temperature Display
- Convenient Wireless Charging Dock
- Adjustable Backlight Intensity
- Features Standard Watch Functions (Time + Date)

Technical Specs:

- Wireless Operating Range: Up to 260 meter (850' + ft.)
- Image Processor: Mega-Pix 0.3, CMOS
- Video Resolution: 640 x 480 Pixels
- Video Signal Transmission Protocol: 2.4GHz
- Camera Angle Adjustment: 65° Vertical, 120° Horizontal
- Night Vision Distance: Up to 5 meter (15' ft.)
- Minimum Illumination: 0 Lux
- Temperature Unit Selectable: Fahrenheit / Celsius
- Multi-Language Support
- Watch Battery: 3.78 Li-Polymer, 390mAh
- Power: 120V (5V Power Adapter)
- Charge Stand Dimensions (L x W x H): 6.60 x 6.86 x 12.7 cm
- Camera Dimensions (L x W x H): 6.86 x 7.37 x 13.72 cm



WARNING:

This product can expose you to a chemical or group of chemicals, which may include "**Nickel Carbonate**" which is known in the state of California to cause cancer, birth defects, or other reproductive harm. For more info, go to <https://www.p65warnings.ca.gov/>.



SereneLife