

serenelife™



Questions? Issues?
We are here to help!
Phone: (1) 718-535-1800
Email: support@pyleusa.com

serenelife™

3 Bow Bimini



4 Bow Bimini

Boat Bimini Top Cover

User Manual

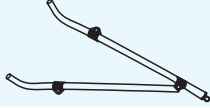

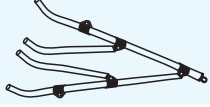

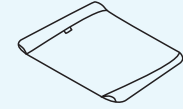









Too much sun or a sudden rain shower can ruin your sailing experience. A bimini, however, can provide excellent shade or shelter when under sail or at the dock without creating that “closed in” feeling. It is easy to set up or fold away when not in use.

PLEASE NOTE:

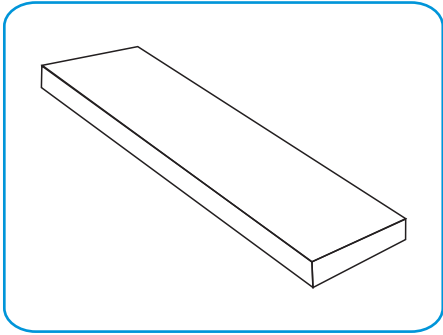
- Please use the boot to protect the fabric if you will not use the Bimini Top.
- Fold the Bimini Top when the vessel speed exceeds 45MPH.
- NEVER attempt to operate the top while the boat is in motion.
- NEVER open the top in excessively high winds.

BOAT BIMINI TOP BENEFITS

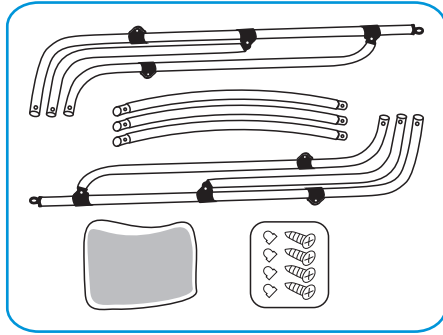
- Provides protection from sun and rain with high quality material
- Allows for an open view for all passengers and drivers
- It is convenient to put up or down, as well as easy to store
- Protects the boat from sun rays, extending the life of the boat's interior
- Provides protection while still allowing for great circulation
- Easy assembly and storage allows boaters to quickly put the top down if they want to go faster or easily put the top back up if they want to cruise at leisure
- While in use rear poles provide superior support for the bimini frame and allows the top to be stored out of the way

Component	Quantity			
	2 Bow	3Bow	4 Bow	with rear support pole
 2 Bow Tubes	2			
 3 Bow Tubes		2		
 4 Bow Tubes			2	
 Crossbars	2	3	4	
 Canopy	1	1	1	
 Thumb Screw	2	2	2	+2
 Deck Mount	2	2	2	+2
 Stainless Steel Saddle	4	4	4	-2
 Self Tapping Screw	12	12	12	
 Bolt SS316	4	6	6	
 Hexagonal Nut SS316	6	8	8	+2
 Straps with Stainless Steel Hook & Webbing Adjuster	4	4	4	-2
 Storage Boot	1	1	1	
 Rear Support Pole				+2

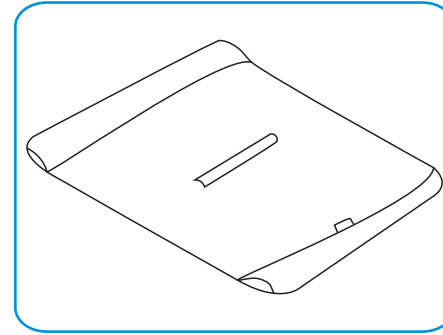
ASSEMBLY INSTRUCTIONS



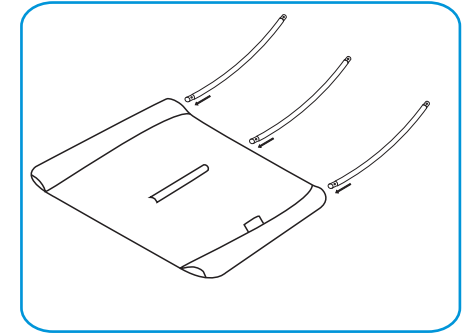
1. Check and open bimini box carefully



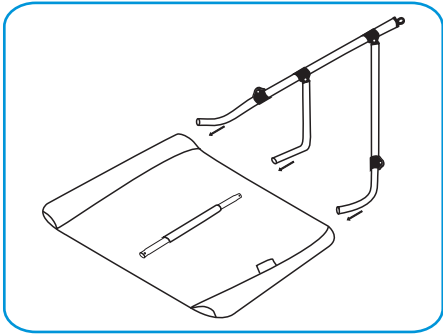
2. Take out full set bimini parts



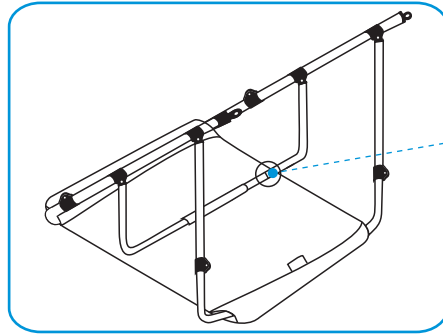
3. Lay fabric flat upside-down, sleeves up.



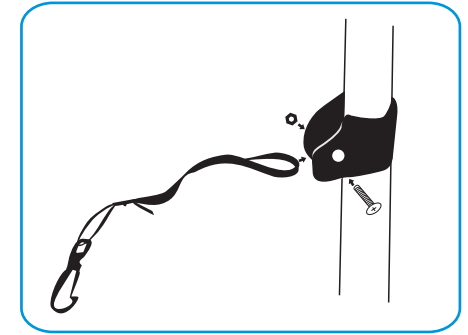
4. Insert the crossbars into the fabric sleeves.



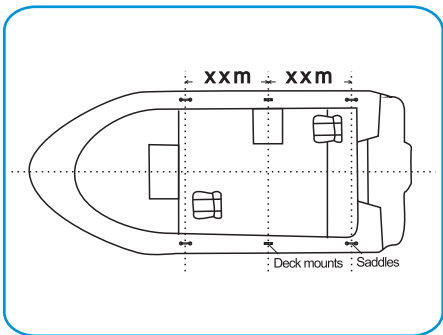
5 & 6. Snap the frame into the crossbars via the connectors, then slide into the fabric



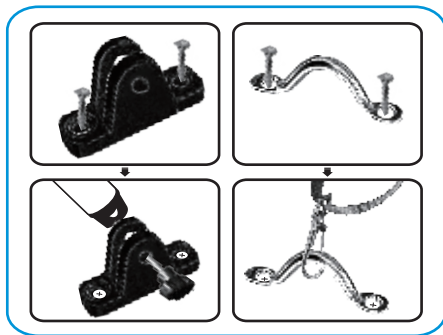
7. Snap connector



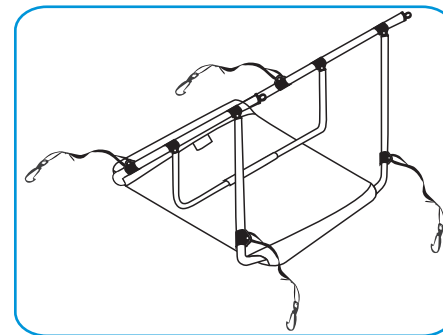
8. Secure each straps with bolts and nuts as showed.



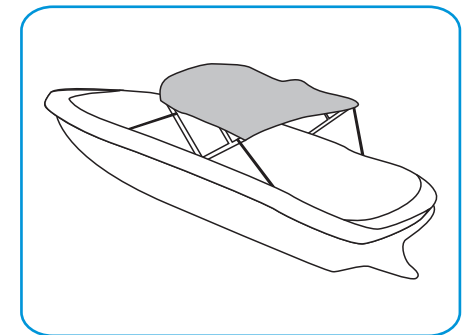
9. Measure and confirm the marks for the deck mourns and saddles.



10. Drill and secure the deck mourns and saddles.



11&12. Flip the bimini and place it on deck mourns, and tighten all straps to complete your bimini.



SLBT3BK541 - SLBT3BK661 - SLBT3BK671 - SLBT3BK731 - SLBT3BK791 - SLBT3BK851
SLBT3NAV542 - SLBT3NAV612 - SLBT3NAV672 - SLBT3NAV732 - SLBT3NAV792
SLBT3NAV852 - SLBT3GR543 - SLBT3GR613 - SLBT3GR673 - SLBT3GR733
SLBT3GR793 - SLBT3GR853 - SLBT3RB544 - SLBT3RB614 - SLBT3RB674
SLBT3RB734 - SLBT3RB794 - SLBT3RB854

3 Bow Bimini Top

2 Straps and 2 Rear Support Poles with Marine-Grade 600D Polyester Canvas

Features:

- Marine-grade 600D Polyester Canvas
- Double Overlapped Stitching
- All Stainless Steel Mounting Hardware
- Color Coordinated Zippered Storage Boot
- 1 Diameter Aluminum Frame
- Double-walled Main Bow Legs for Maximum Strength
- 2 Straps and 2 Rear Support Poles
- Very Easy to Install
- Waterproof and UV Resistant in Marine Environment
- Suitable for Any Weather
- Excellent Staining for a Long Time Use

What's in the Box:

- (2) Tubes
- (3) Crossbars
- (1) Canopy with storage boot
- (2) Rear Support Poles
- (1) Hardware Box

Technical Specs:

- Canvas Material: Marine-Grade 600 Denier Polyester
- Frame Material: 1" Double-Walled Aluminum Tubes
- UV Protection Reaches Level 4(Highest Level 5)
- Color fastness-light \geq 4.5 AATCC_16.3 (Highest 5)



SLBT4GR548 - SLBT4GR618 - SLBT4GR678 - SLBT4GR738 - SLBT4GR798
SLBT4GR858 - SLBT4RB549 - SLBT4RB619 - SLBT4RB679 - SLBT4RB739
SLBT4RB799 - SLBT4RB859

4 Bow Bimini Top

2 Straps and 2 Rear Support Poles with Marine-Grade 600D Polyester Canvas

Features:

- Marine-grade 600D Polyester Canvas
- Double Overlapped Stitching
- All Stainless Steel Mounting Hardware
- Color Coordinated Zippered Storage Boot
- 1 Diameter Aluminum Frame
- Double-walled Main Bow Legs for Maximum Strength
- 2 Straps and 2 Rear Support Poles
- Very Easy to Install
- Waterproof and UV Resistant in Marine Environment
- Suitable for Any Weather
- Excellent Staining for a Long Time Use

What's in the Box:

- (2) Tubes
- (4) Crossbars
- (1) Canopy with storage boot
- (2) Rear Support Poles
- (1) Hardware Box

Technical Specs:

- Canvas Material: Marine-Grade 600 Denier Polyester
- Frame Material: 1" Double-Walled Aluminum Tubes
- UV Protection Reaches Level 4(Highest Level 5)
- Color fastness-light \geq 4.5 AATCC_16.3 (Highest 5)

