

serenelife™



Questions? Issues?

We are here to help!

Phone: (1) 718-535-1800

Email: support@pyleusa.com

serenelife™

3 Bow Bimini



4 Bow Bimini

Bow Bimini Top

User Manual

Too much sun or a sudden rain shower can ruin your sailing experience. A bimini, however, can provide excellent shade or shelter when under sail or at the dock without creating that “closed in” feeling. It is easy to set up or fold away when not in use.

PLEASE NOTE:

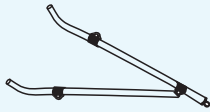
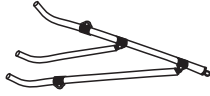
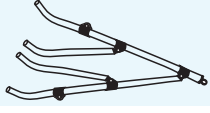

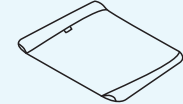







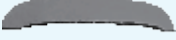

- Please use the boot to protect the fabric if you will not use the Bimini Top.
- Fold the Bimini Top when the vessel speed exceeds 45MPH.
- NEVER attempt to operate the top while the boat is in motion.
- NEVER open the top in excessively high winds.

BOAT BIMINI TOP BENEFITS

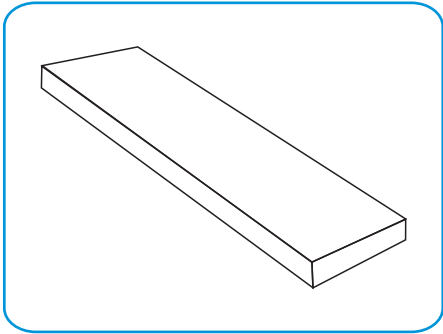
- Provides protection from sun and rain with high quality material
- Allows for an open view for all passengers and drivers
- It is convenient to put up or down, as well as easy to store
- Protects the boat from sun rays, extending the life of the boat's interior
- Provides protection while still allowing for great circulation
- Easy assembly and storage allows boaters to quickly put the top down if they want to go faster or easily put the top back up if they want to cruise at leisure
- While in use rear poles provide superior support for the bimini frame and allows the top to be stored out of the way

Component

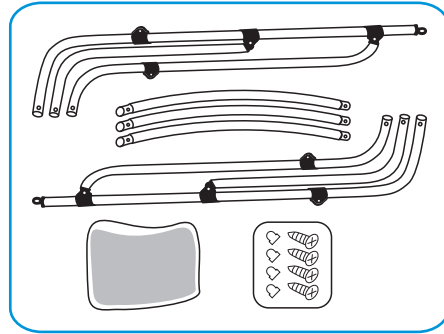
Quantity

		2 Bow	3Bow	4 Bow	with rear support pole
	2 Bow Tubes	2			
	3 Bow Tubes		2		
	4 Bow Tubes			2	
	Crossbars	2	3	4	
	Canopy	1	1	1	
	Thumb Screw	2	2	2	+2
	Deck Mount	2	2	2	+2
	Stainless Steel Saddle	4	4	4	-2
	Self Tapping Screw	12	12	12	
	Bolt SS316	4	6	6	
	Hexagonal Nut SS316	6	8	8	+2
	Straps with Stainless Steel Hook & Webbing Adjuster	4	4	4	-2
	Storage Boot	1	1	1	
	Rear Support Pole				+2

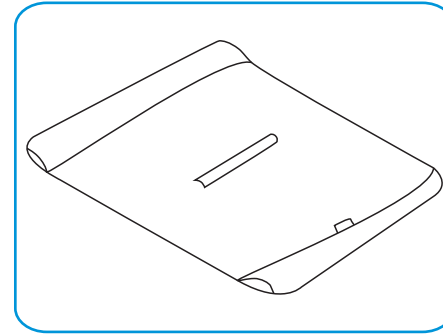
ASSEMBLY INSTRUCTIONS



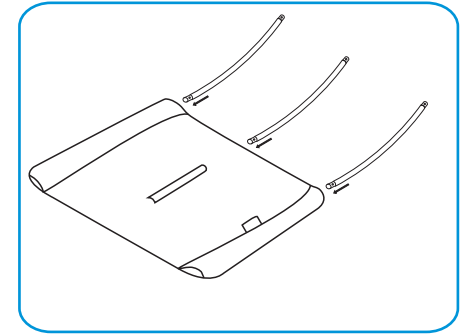
1. Check and open bimini box carefully



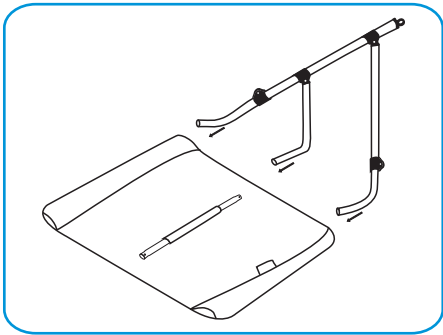
2. Take out full set bimini parts



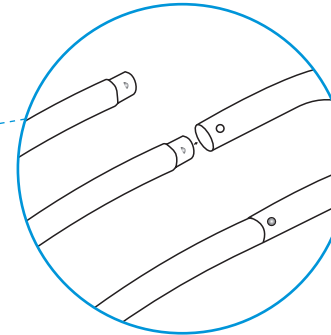
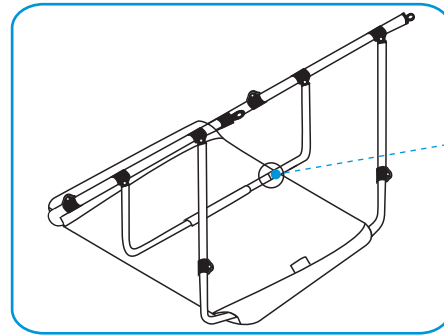
3. Lay fabric flat upside-down, sleeves up.



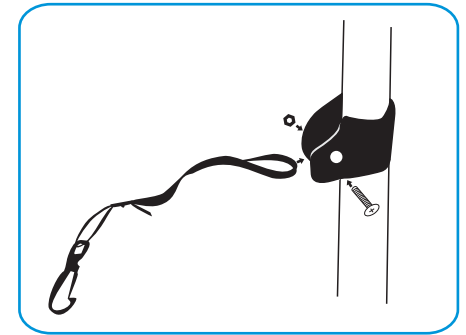
4. Insert the crossbars into the fabric sleeves.



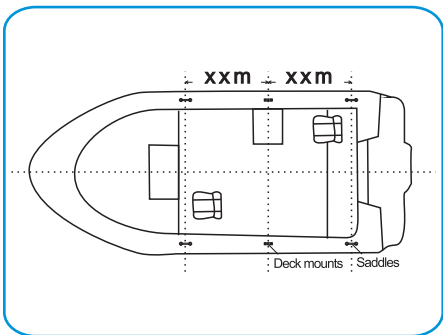
5 & 6. Snap the frame into the crossbars via the connectors, then slide into the fabric



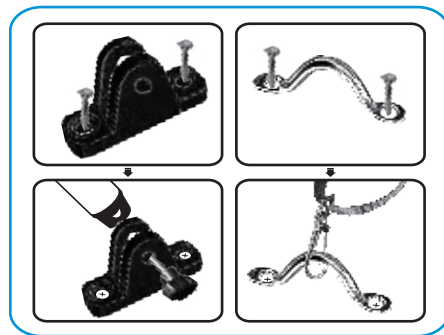
7. Snap connector



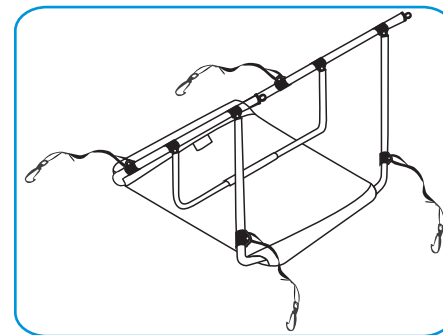
8. Secure each straps with bolts and nuts as showed.



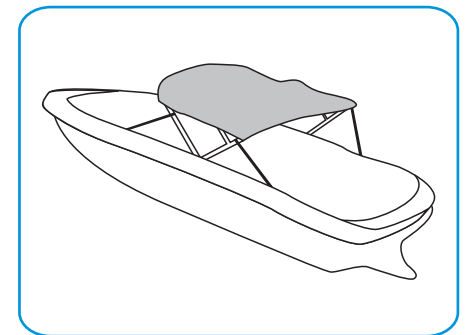
9. Measure and confirm the marks for the deck mourns and saddles.



10. Drill and secure the deck mourns and saddles.



11&12. Flip the bimini and place it on deck mourns, and tighten all straps to complete your bimini.



3 Bow Bimini Top



Stainless steel 316 of hook and pad eyes



Heavy duty nylon deck mount



Spring clip make quick installation



4 Bow Bimini Top



Stainless steel 316 of hook and pad eyes



Heavy duty nylon deck mount



Spring clip make quick installation



Free matching storage bag

Rear support pole make more stable



Free matching storage bag

Rear support pole make more stable

3 Bow Bimini Top

2 Straps and 2 Rear Support Poles with Marine-Grade 600D Polyester Canvas

Features:

- Marine-grade 600D Polyester Canvas
- Double Overlapped Stitching
- All Stainless Steel Mounting Hardware
- Color Coordinated Zippered Storage Boot
- 1 Diameter Aluminum Frame
- Double-walled Main Bow Legs for Maximum Strength
- 2 Straps and 2 Rear Support Poles
- Very Easy to Install
- Waterproof and UV Resistant in Marine Environment
- Suitable for Any Weather
- *Assemble Instruction Included

What's in the Box:

- (2) Tubes
- (3) Crossbars
- (1) Canopy with storage boot
- (2) Rear Support Poles
- (1) Hardware Box



Technical Specs:

- Canvas Material: Marine-Grade 600 Denier Polyester
- Frame Material: 1" Double-Walled Aluminum Tubes
- UV Protection Reaches Level 4 (Highest Level 5)
- Color fastness-light ≥ 4.5 AATCC_16.3 (Highest 5)

MODEL	Product Dimension (L x W x H)
SLBT3BE541	72" x 54-60" x 46" –inches
SLBT3BE661	72" x 61-66" x 46" –inches
SLBT3BE671	72" x 67-72" x 46" –inches
SLBT3BE731	72" x 73-78" x 46" –inches
SLBT3BE791	72" x 79-84" x 46" –inches
SLBT3BE851	72" x 85-90" x 46" –inches
SLBT3BUR542	72" x 54-60" x 46" –inches
SLBT3BUR612	72" x 61-66" x 46" –inches
SLBT3BUR672	72" x 67-72" x 46" –inches
SLBT3BUR732	72" x 73-78" x 46" –inches
SLBT3BUR792	72" x 79-84" x 46" –inches
SLBT3BUR852	72" x 85-90" x 46" –inches
SLBT3FR543	72" x 54-60" x 46" –inches
SLBT3FR613	72" x 51-66" x 46" –inches
SLBT3FR673	72" x 67-72" x 46" –inches
SLBT3FR733	72" x 73-78" x 46" –inches
SLBT3FR793	72" x 79-84" x 46" –inches
SLBT3FR853	72" x 85-90" x 46" –inches
SLBT3DG544	72" x 54-60" x 46" –inches
SLBT3DG614	72" x 61-66" x 46" –inches
SLBT3DG674	72" x 67-72" x 46" –inches
SLBT3DG734	72" x 73-78" x 46" –inches
SLBT3DG794	72" x 79-84" x 46" –inches
SLBT3DG854	72" x 85-90" x 46" –inches

4 Bow Bimini Top

2 Straps and 2 Rear Support Poles with Marine-Grade 600D Polyester Canvas

Features:

- Marine-grade 600D Polyester Canvas
- Double Overlapped Stitching
- All Stainless Steel Mounting Hardware
- Color Coordinated Zippered Storage Boot
- 1 Diameter Aluminum Frame
- Double-walled Main Bow Legs for Maximum Strength
- 2 Straps and 2 Rear Support Poles
- Very Easy to Install
- Waterproof and UV Resistant in Marine Environment
- Suitable for Any Weather
- Excellent Staining for a Long Time Use
- *Assemble Instruction Included

What's in the Box:

- (2) Tubes
- (3) Crossbars
- (1) Canopy with storage boot
- (2) Rear Support Poles
- (1) Hardware Box



Technical Specs:

- Canvas Material: Marine-Grade 600 Denier Polyester
- Frame Material: 1" Double-Walled Aluminum Tubes
- UV Protection Reaches Level 4 (Highest Level 5)
- Color fastness-light ≥ 4.5 AATCC_16.3 (Highest 5)

MODEL	Product Dimension (L x W x H)
SLBT4BE548	96" x 54-60" x 54" -inches
SLBT4BE618	96" x 61-66" x 54" -inches
SLBT4BE678	96" x 67-72" x 54" -inches
SLBT4BE738	96" x 73-78" x 54" -inches
SLBT4BE798	96" x 79-84" x 54" -inches
SLBT4BE858	96" x 85-90" x 54" -inches
SLBT4BUR549	96" x 54-60" x 54" -inches
SLBT4BUR619	96" x 61-66" x 54" -inches
SLBT4BUR679	96" x 67-72" x 54" -inches
SLBT4BUR739	96" x 73-78" x 54" -inches
SLBT4BUR799	96" x 79-84" x 54" -inches
SLBT4BUR859	96" x 85-90" x 54" -inches