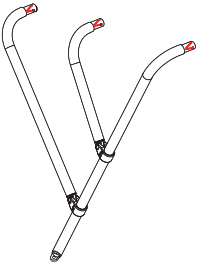
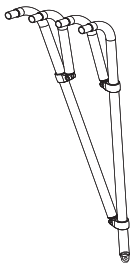


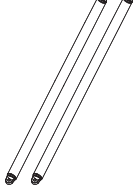
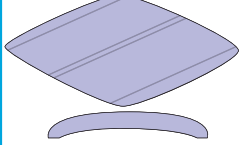
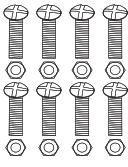
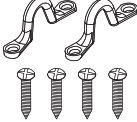
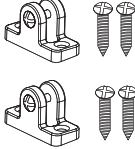
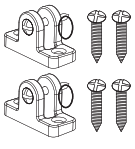
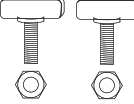
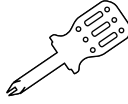


SLBTW60G - SLBTW66G - SLBTW72G - SLBTW78G - SLBTW84G - SLBTW90G - SLBTW72B - SLBTW78B
 3 Bow Bimini Top Boat Cover

SLBT460G - SLBT466G - SLBT472G - SLBT478G - SLBT484G - SLBT490G - SLBT484B - SLBT490B
 4 Bow Bimini Top Boat Cover

USER MANUAL

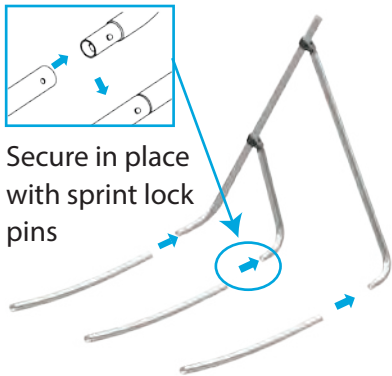
Components (Included in Box)

					
3 Bow Frame x 2	4 Bow Frame x 2	Crossbars 3 Bow x 3 4 Bow x 4	Webbing Straps with S/S Hook x 2	Rear Support Poles x 2	Canopy & Storage Boot x 1
					
Hex Bolt x 8 Hex Nut x 8	Saddles x 2 Screw x 4	Center Deck Mounts x 2 Screw x 4	Rear Deck Mounts x 2 Screw x 4	Thumb Screw x 2 Hex Nut x 2	Screwdriver x 1

Assembly Instructions

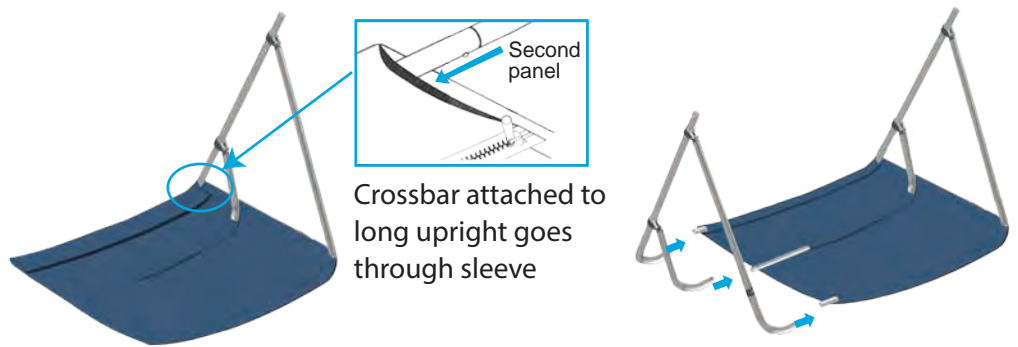
Step 1:

FIT CROSSBARS INTO STARBOARD FRAME



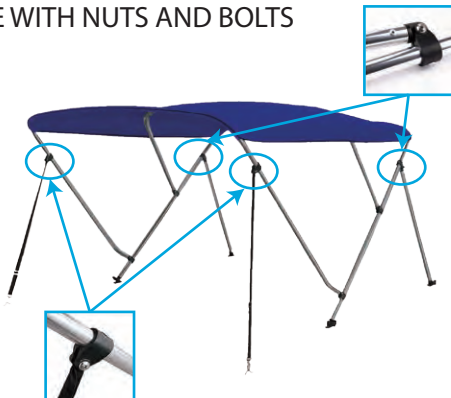
Step 2:

FEED THE CROSSBARS THROUGH THE CANOPY SLEEVES



Step 3:

ATTACH WEBBING STRAPS & REAR SUPPORT POLE WITH NUTS AND BOLTS

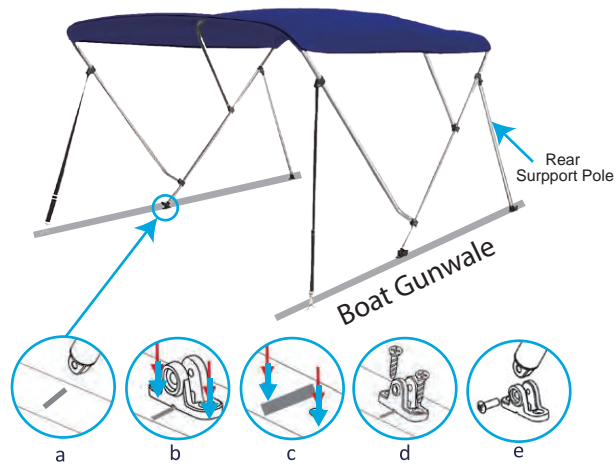


Step 4:

HEIGHT ADJUSTMENT

The bimini is now assembled. Before mounting, you may trim the bimini for your optimal height. Trimming the bimini and reducing the height will significantly increase stability





Step 5:

ATTACH BIMINI TO BOAT

- Mark the attachment positions (2 places for centre deck mounts). Keep Bimini level whilst marking.
- Center the deck mount over marked position. Make sure the deck mounts "lean" is towards the insides of the boat.
- Drill holes for deck mounts on marked positions to suit screws used. The type of screw used will be determined by the construction of your boat.
- Fit the deck mounts.
- Attach the Bimini to deck mounts

Step 6:

PLACE REAR SUPPORT POLE

Follow same process as Step 5 with rear deck mounts. Meanwhile, you can adjust the optimal height.

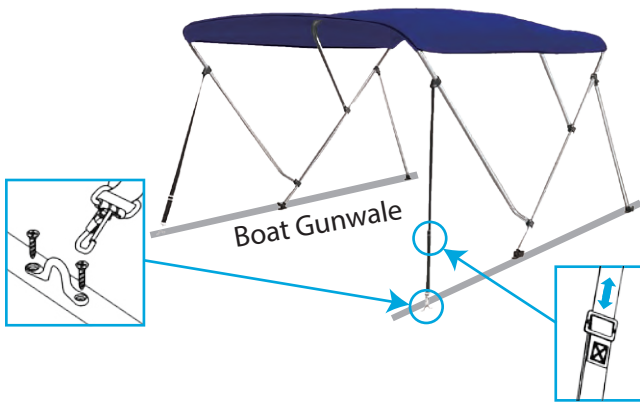
Step 7:

ATTACH SADDLES TO THE BOAT

- Mark the attachment position.
- Drill holes for Saddles on marked positions to suit screw used (4 places)
- Secure saddles in the place. The type of screw used will be determined by the construction of your boat.

Step 8:

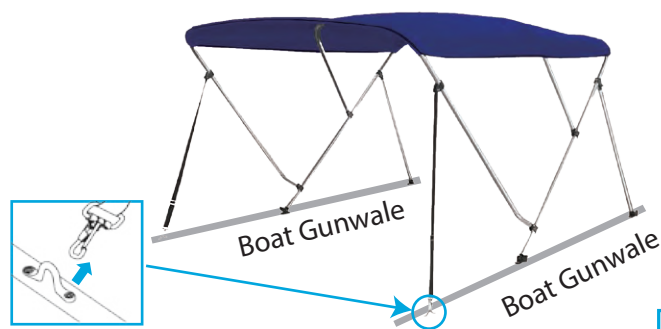
ADJUST WEBBING STRAPS TO TENSION THE BIMINI



Integrated Storage Boot Instructions

Step 1:

RELEASE THE SNAP HOOK



Step 3:

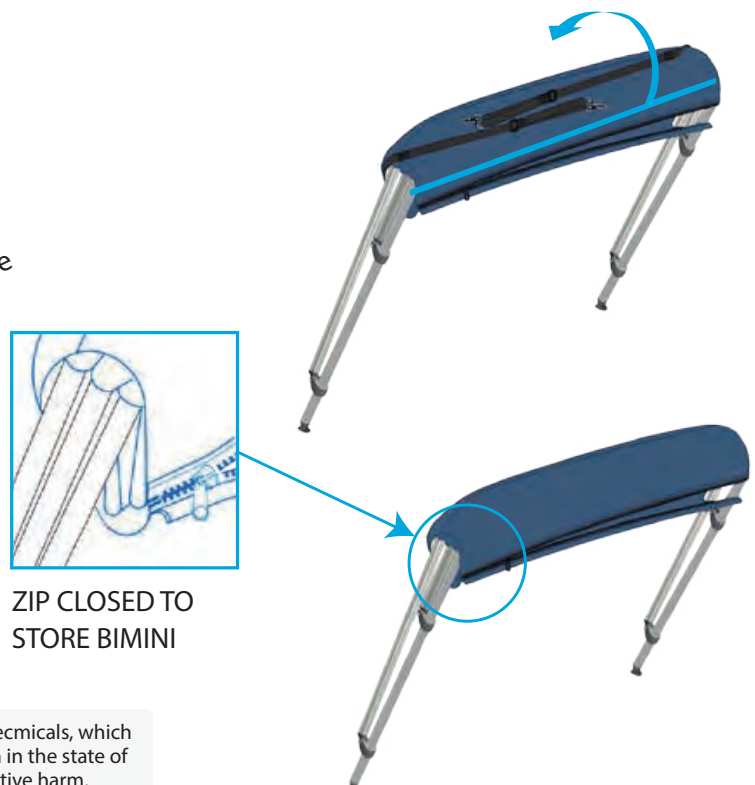
USE THE STORAGE BOOT TO COVER BIMINI TOP AND WEBBING STRAPS.

Questions? Issues?

We are here to help!
 Phone: (1) 718-535-1800
 Email: support@pyleusa.com

Step 2:

FOLD THE BIMINI. PLACE THE WEBBING STRAPS ON THE TOP



ZIP CLOSED TO STORE BIMINI



This product can expose you to a chemical or group of chemicals, which may include "Lead and lead compounds" which is known in the state of California to cause cancer, birth defects, or other reproductive harm.

WARNING: For more info, go to <https://www.p65warnings.ca.gov/>.