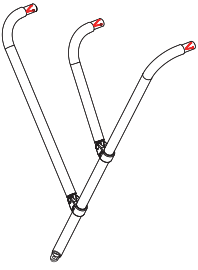
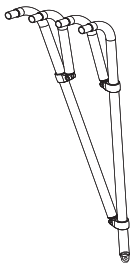


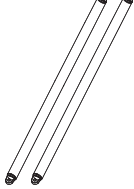
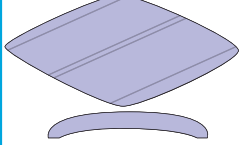
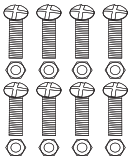
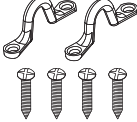
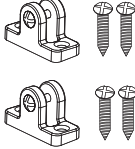
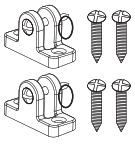
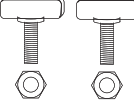
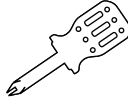


SLBTW60G - SLBTW66G - SLBTW72G - SLBTW78G - SLBTW84G - SLBTW90G - SLBTW72B - SLBTW78B
 3 Bow Bimini Top Boat Cover

SLBT460G - SLBT466G - SLBT472G - SLBT478G - SLBT484G - SLBT490G - SLBT484B - SLBT490B
 4 Bow Bimini Top Boat Cover

USER MANUAL

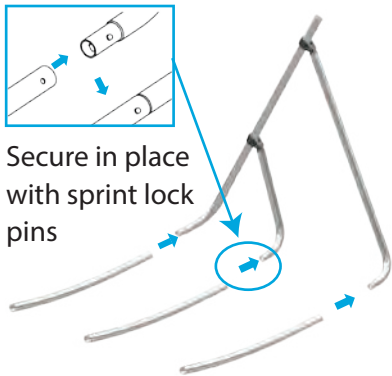
Components (Included in Box)

					
3 Bow Frame x 2	4 Bow Frame x 2	Crossbars 3 Bow x 3 4 Bow x 4	Webbing Straps with S/S Hook x 2	Rear Support Poles x 2	Canopy & Storage Boot x 1
					
Hex Bolt x 8 Hex Nut x 8	Saddles x 2 Screw x 4	Center Deck Mounts x 2 Screw x 4	Rear Deck Mounts x 2 Screw x 4	Thumb Screw x 2 Hex Nut x 2	Screwdriver x 1

Assembly Instructions

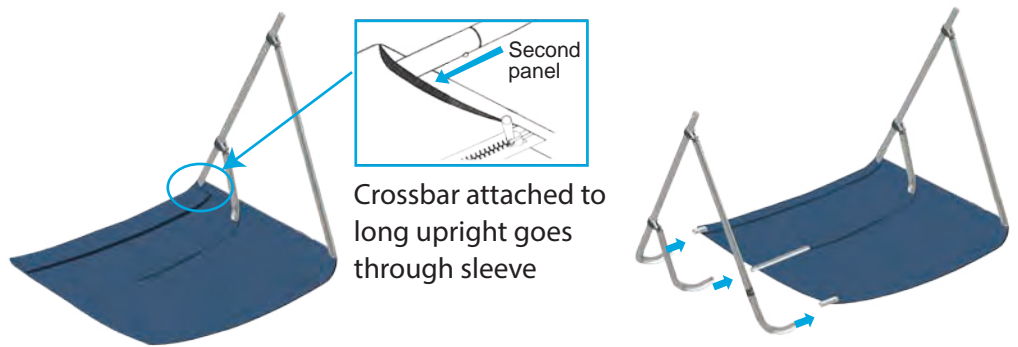
Step 1:

FIT CROSSBARS INTO STARBOARD FRAME



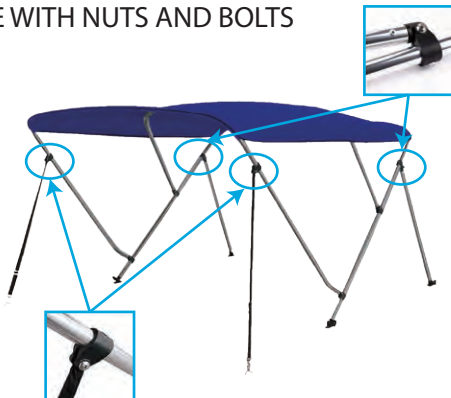
Step 2:

FEED THE CROSSBARS THROUGH THE CANOPY SLEEVES



Step 3:

ATTACH WEBBING STRAPS & REAR SUPPORT POLE WITH NUTS AND BOLTS

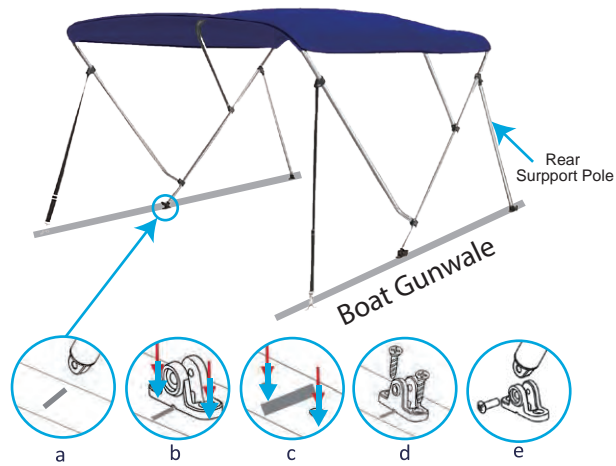


Step 4:

HEIGHT ADJUSTMENT

The bimini is now assembled. Before mounting, you may trim the bimini for your optimal height. Trimming the bimini and reducing the height will significantly increase stability





Step 5:

ATTACH BIMINI TO BOAT

- Mark the attachment positions (2 places for centre deck mounts). Keep Bimini level whilst marking.
- Center the deck mount over marked position. Make sure the deck mounts "lean" is towards the insides of the boat.
- Drill holes for deck mounts on marked positions to suit screws used. The type of screw used will be determined by the construction of your boat.
- Fit the deck mounts.
- Attach the Bimini to deck mounts

Step 6:

PLACE REAR SUPPORT POLE

Follow same process as Step 5 with rear deck mounts. Meanwhile, you can adjust the optimal height.

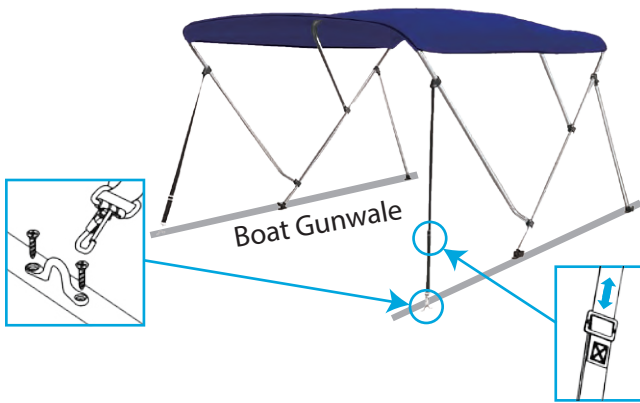
Step 7:

ATTACH SADDLES TO THE BOAT

- Mark the attachment position.
- Drill holes for Saddles on marked positions to suit screw used (4 places)
- Secure saddles in the place. The type of screw used will be determined by the construction of your boat.

Step 8:

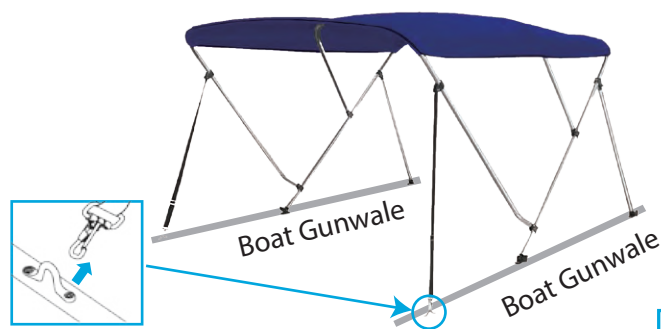
ADJUST WEBBING STRAPS TO TENSION THE BIMINI



Integrated Storage Boot Instructions

Step 1:

RELEASE THE SNAP HOOK



Step 3:

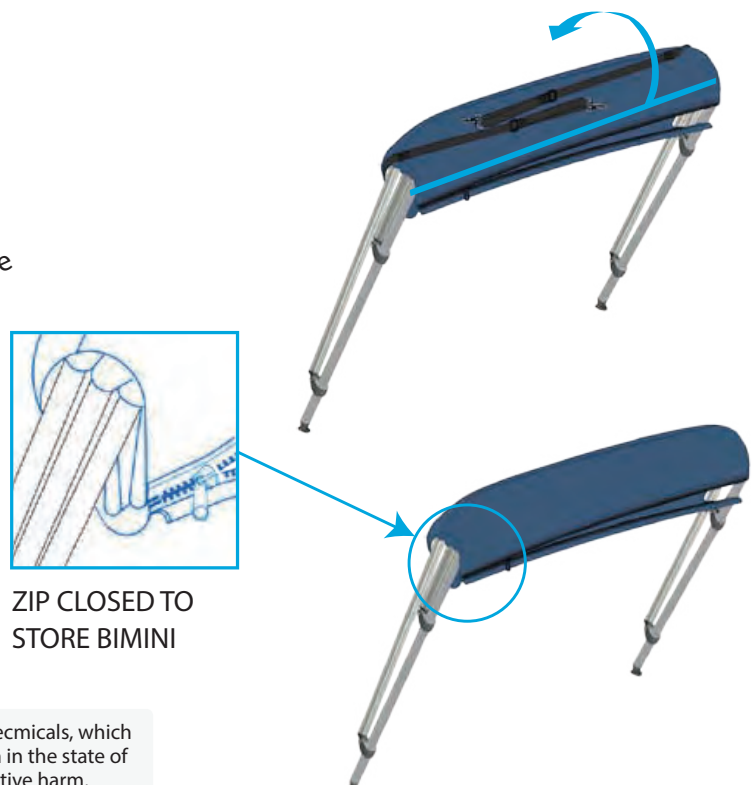
USE THE STORAGE BOOT TO COVER BIMINI TOP AND WEBBING STRAPS.

Questions? Issues?

We are here to help!
Phone: (1) 718-535-1800
Email: support@pyleusa.com

Step 2:

FOLD THE BIMINI. PLACE THE WEBBING STRAPS ON THE TOP



ZIP CLOSED TO STORE BIMINI



WARNING:

This product can expose you to a chemical or group of chemicals, which may include "Lead and lead compounds" which is known in the state of California to cause cancer, birth defects, or other reproductive harm. For more info, go to <https://www.p65warnings.ca.gov/>.