

serenelife™



SLCARFP54

Outdoor Wood Fire Pit

Steel BBQ Grill Fire Pit Bowl with Mesh Spark Screen,
Cover Log Grate, Wood Fire Poker for Camping, Picnic, & Bonfire

User Manual

 **WARNING:**

FOR YOUR SAFETY

For Outdoor Use Only (outside any enclosure)

 **WARNING:**

FOR YOUR SAFETY

1. Improper installation, adjustment, alteration service or maintenance can cause injury or property damage.
2. Read the installation, operation, and maintenance instructions thoroughly before installing or servicing this equipment.
3. Failure to follow these instructions could result in fire or explosion, which could cause property damage, personal injury or death.

Save these instructions for future reference. If you are assembling this unit for someone else, give this manual to him or her to read and save for future reference.












 **WARNING:**

FOR YOUR SAFETY

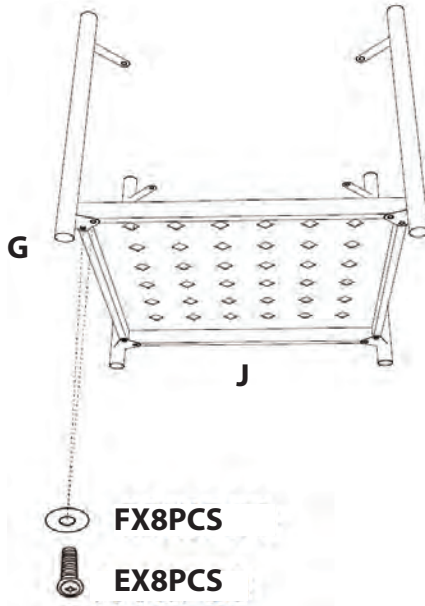
1. **This appliance is for outdoor use only.**
2. **DO NOT** use this outdoor fire pit in a building, garage, boats, recreational vehicles, or any other enclosed area.
3. This outdoor fire pit is not to be operated by children.
4. Always use in accordance with all applicable local, state and national codes. Contact your local fire department for details on outdoor burning.
5. When using this outdoor fire pit, exercise the same precautions you would do with any open fire.
6. The use of alcohol, prescription or non-prescription drugs may impair the consumer's ability to properly assemble or safely operate this outdoor Fire pit.
7. Do **NOT** use this outdoor fire pit without reading the entire "**User's Manual**".
8. This outdoor fire pit is for use with dry, seasoned hardwood. It will burn hotter, more completely and create less smoke. Do **NOT** burn charcoal briquets, lump charcoal, manufactured logs, driftwood, trash, leaves, paper, cardboard, painted or stained or pressure treated wood. Avoid using soft wood such as pine or cedar that can throw sparks.
9. Do not use this outdoor fire pit until it is completely assembled. Do not alter this fire pit in any manner.

10. Do **NOT** use gasoline or other flammable vapors or liquids in the vicinity of this or any other appliance.
11. Do **NOT** store or use an LP gas cylinder within 10 feet (3.05m) of this outdoor fire pit while it is in operation.
12. Do **NOT** use this outdoor Fire pit near automobiles, trucks, vans, recreational vehicles, electrical cords or any other combustible objects.
13. Always use this outdoor fire pit on a hard, level, non-combustible surface.
14. The appliance must be inspected before each use. Always empty the fire pit before use. Leave a thin layer of ash (1/2" thick) to protect the bottom of the fire bowl.
15. The safeguard spark screen must be used while burning.
16. Do **NOT** use in windy conditions.
17. Do **NOT** wear flammable or loose clothing when operating this outdoor fire pit.
18. Do **NOT** use gasoline, kerosene, diesel fuel, lighter fluid or alcohol to light or relight fires.
19. Children and adults should be alerted to the hazards of high surface temperatures and keep a safe distance to avoid burns or clothing ignitions.
20. Do not touch any part of the appliance until it is completely cooled down. Never touch the ashes to see if they are hot.
21. Use long, sturdy fire pit tools to add or move logs, including to take away the safeguard spark screen and replace it.
22. Never leave a lit fire pit unattended.
23. Children should be carefully supervised where they are anywhere near the Fire pit.
24. Clothing or other flammable materials should **NOT** be hung from the appliance, or place on or near the appliance.
25. Do **NOT** attempt to move or store this outdoor fire pit until the appliance is completely cooled down.
26. Do **NOT** move ashes until they are completely and fully extinguished.
27. Do **NOT** add additional firewood until the fire burns down.
28. Burning must be inside the metal bowl. Never burn firewood on the faux stone fire pit body, otherwise it would destroy the appliance.
29. Do **NOT** put any hot part of the fire pit onto combustible surfaces such as grass, wooden deck or furniture.
30. All above must be exactly followed.

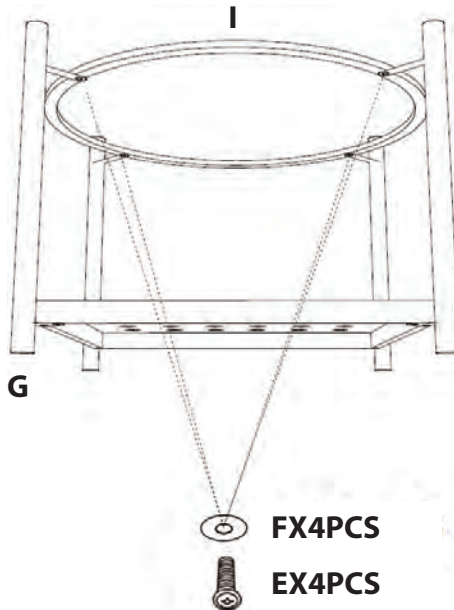
PART LIST

A	1	Firebowl		B	1	Poker	
C	1	Rack		D	1	Mesh	
E	12PCS M6X12	Screw		F	12PCS M6	Gaskets	
G	4	Iron feet		H	2	Iron frame	
I	1	Iron frame		J	1	Panel	
K	1	Grill					

ASSEMBLY INSTRUCTIONS

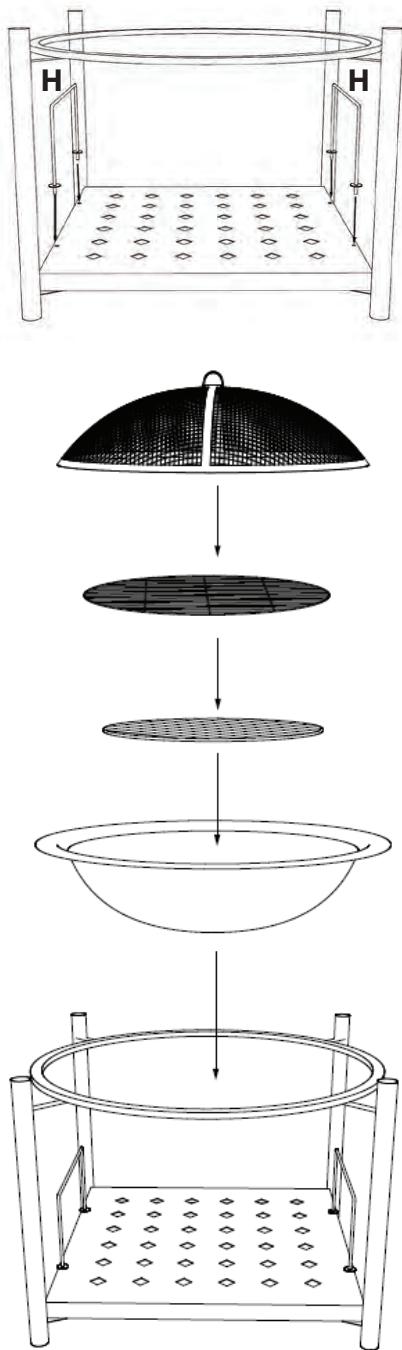


Step 1: Secure the panel and iron feet with screws and gaskets.



Step 2: Secure iron feet and iron frame with screws and gaskets.

Step 3: Insert the iron frame into the panel.



OPERATING INSTRUCTIONS

WARNING:

FOR YOUR SAFETY

Before using this outdoor fire pit, make sure you have read, understood and are following all information provided on page 1 of this manual. Failure to follow those instructions can cause death, serious injury or property damage.

Lighting:

1. Make sure there is only a small amount of ash (1/2" thick) at the bottom of the metal bowl.
2. Place a layer of dry kindling or a natural firestarter onto the center of the log rack.
3. Place above that layer the dry seasoned hardwood that is cut to lengths no more than 12".
4. Use a match to light kindling or firestarter.
5. Replace the safeguard spark screen when the kindling or firestarter is lit.

Tending the Fire

You may need to shift and/or add logs for an ideal experience.

Reminders:

- Always wear protective gloves or a pot holder when tending a fire.
 - Wait until glowing wood have developed before adding any additional wood.
 - Do **NOT** add gasoline, kerosene, diesel fuel, lighter fluid or alcohol to relight or enhance an existing fire.
1. Use the hook tool to carefully take away the spark screen.
 2. Use the hook tool to shift the logs to allow additional airflow.
 3. If additional wood is required, place wood on top of the burning log.
Be careful not to shift ashes.
 4. Replace the safeguard spark screen.

Extinguishing

1. Allow fire to burn itself out.
2. Do **NOT** use water to extinguish as this is dangerous and can cause damage to this outdoor fire pit.

MAINTENANCE INSTRUCTIONS:

Inspecting

This outdoor fire pit should be inspected on a regular basis to ensure product safety and longer product life. Check all parts to make sure they are secure.

Cleaning

This outdoor fire pit should be cleaned on a regular basis to promote safer experiences and longer product life.

Note:

After repeated use, a slight discoloration of the finish may occur.

Reminders:

- Do **NOT** attempt to clean this outdoor fire pit until the fire is **COMPLETELY** out.
 - Do **NOT** use oven cleaner or abrasive cleaners as they will damage this product.
 - Do **NOT** clean any part of this outdoor fire pit in a self-cleaning oven as it may damage the finish.
1. Wipe exterior surfaces of the metal parts with a mild dishwashing detergent or baking soda.
 2. For stubborn surfaces on the metal parts, use a citrus based degreaser and a nylon scrubbing brush.
 3. Rinse clean on the metal with water.
 4. Use a soft dry brush to wipe away the dust on the faux stone fire pit body.
Never use water or other liquids to clean the faux stone top.

Storage

Do NOT move or store this outdoor fire pit until the fire is COMPLETELY out.

1. Once the fire is out, logs are cold and outdoor fire pit is cool to the touch, remove ashes and properly dispose.
2. Store assembled in a location away from children and pets.
3. This fire pit must be stored indoor during the winter.

Note:

If you do not use a cover, stored this outdoor fire pit in a dry location free from rain.

FEATURES:

- Sturdy Metal Fire Pit and Steel Frame
- Durable Steel with High-Temperature Paint Finish
- Built-in Wood Grate
- Easier to Control and Safer than Traditional Bonfires
- With Black Heat-Resistant Coating
- Large Load-Bearing Capacity
- Sturdy Metal for Durability and Long-term Use
- Easy to Assemble with Two Persons, Takes 15 Minutes
- Can be Used as BBQ Grill
- Perfect for Outdoor Entertaining, Bonfire Pit, Camping, and More
- Fire is Away from Floor to Avoid Any Heat
- Wood Storage Shelf

WHAT'S IN THE BOX:

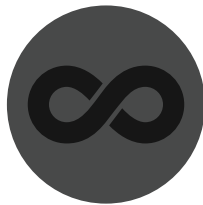
- Mesh spark screen
- Cooking Grill
- Log Grate
- Fire Poker
- Fire Bowl
- Steel Feet
- Wooden Tray
- Side Holder



TECHNICAL SPECS:

- Construction Material: Steel + Cooking Grill
- Fire Bowl Size: 26" -inches
- Poker Size: 23.5" -inches
- Mesh Spark Screen: 21.5" x 6" -inches
- Primary Fuel Type: Charcoal or Dry Wood
- Product Dimension (L x W x H): 26" x 26" x 22" inches

serenelife™



Questions? Issues?

We are here to help!

Phone: (1) 718-535-1800

Email: support@pyleusa.com