

SereneLife



SLCASN25

Wheeled Mobile Foot-Pump Hand Wash Stand

Water Faucet Washing Station (7+ Gal. Capacity)

User Manual

INTRODUCTION

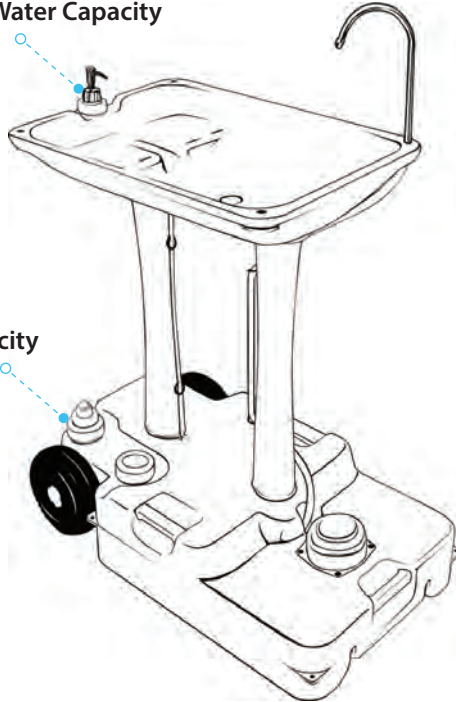
To ensure you obtain full benefits from your new Portable Handwash Sink:

- Please read this instruction booklet carefully, and follow all instructions.

▶▶▶ *Assembly Instructions*

1. Please always assemble according to the instruction.
2. Base tank can be fixed on ground through four holes at the corner if necessary.

5L Liquid Soap/Fresh Water Capacity

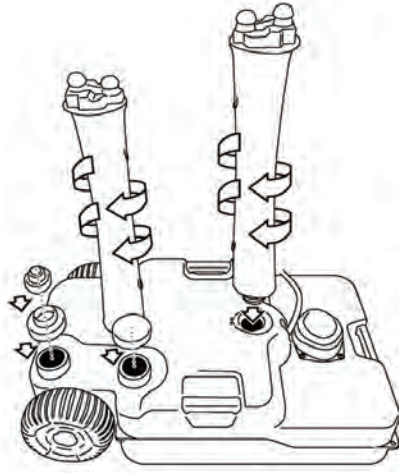
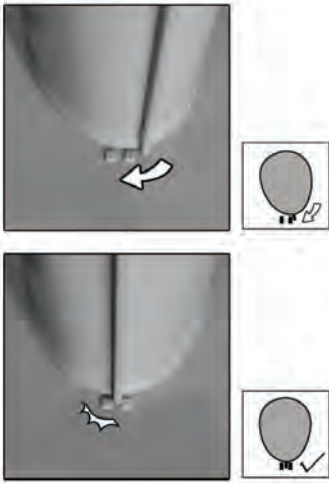


30L Fresh Water Capacity

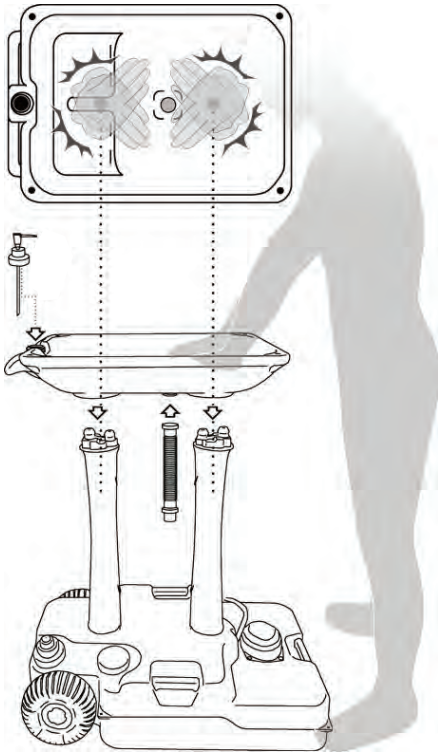


▶▶▶ Assembly Instructions

1. Screw the column to the fixed point.



2. Install the washbasin onto the column

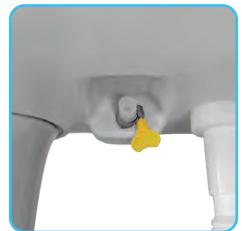


Basin plug

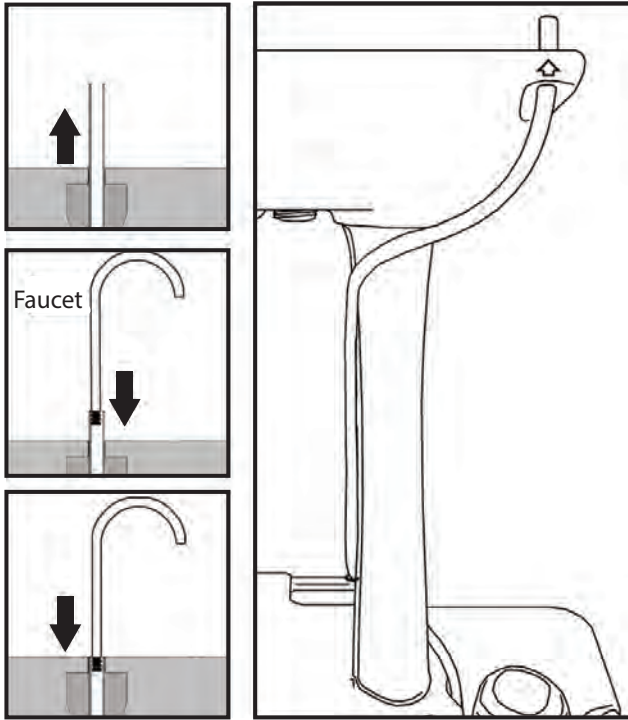


NOTE: There's a small opening at the bottom of the basin which is necessary when cleaning the inside of the basin is needed. This opening needs to be covered by a rubber cap & fastened by an adjustable screw.

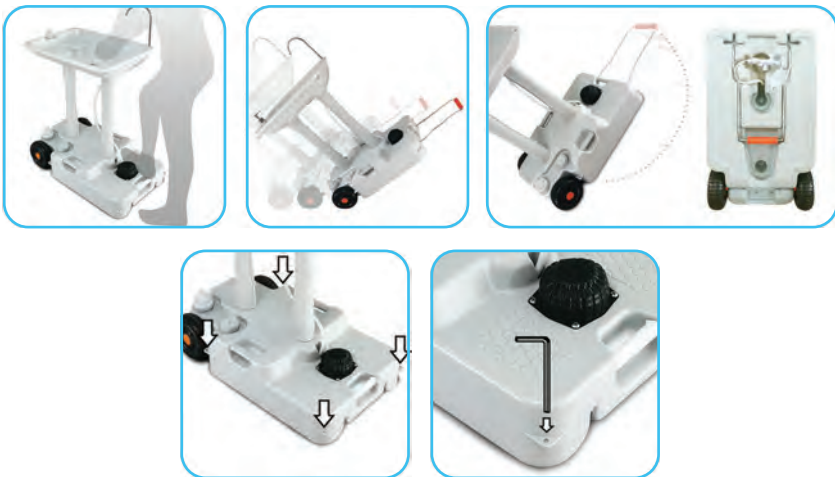
DO NOT forget to fasten the screw which may lead to liquid soap leakage.



3. Install the water pipe and faucet.



Base tank can be fixed on ground through four holes at the corner if necessary.
Pegs are sold separately, not included.



FEATURES:

- High-Density Polyethylene Construction
- Stands Years of Use
- Easy to Assemble
- Self-Contained Bottom Fresh Water Tank
- Foldable Metal Handle with Two Large Wheels on the Bottom Tank
- Includes Wheels for Easy Movement even after Fully Filled
- Hands-Free Foot Pump, Easy to Operate
- 220ml Continuously Water Flow per Step
- Extra-Large Handwash Basin and Liquid Soap Dispenser
- Includes Flexible Drain Hose
- Compact and Lightweight Design
- Can be Used Widely for Public Areas, Checkpoints, Worksites, Camping, and any Outdoor Activities

WHAT'S IN THE BOX:

- (1) Bottom Water Tank
- (1) Wash Basin
- (2) Column Stands
- **Bag of Spare Parts, includes:**
 - (1) Faucet
 - (1) Flexible Drain Hose
 - (1) Soap Dispenser
 - (3) Caps
 - (1) Adjustable Screw
 - (1) Basin Plug

TECHNICAL SPECS:

- Construction Material: High-Density Polyethylene
- Maximum Weight Capacity: 22.05 lbs.
- Bottom Water Tank Capacity: 30 Liters/ 7+ Gallons
- Liquid Soap Tank Capacity: 5 Liters
- Foot Pump Per Step: 220ml.
- Basin Size: 19.69" x 15.94" -inches
- Drainage Hose Length: 2.7' ft.
- Product Dimension (L x W x H): 28.35" x 16.54" x 31.50" -inches

SereneLife

Questions? Issues?

We are here to help!

Phone: (1) 718-535-1800

Email: support@pyleusa.com