

# SereneLife

## Portable Toilet

SLCATL120

## User's Manual



# Assembly & Care Instructions

# Parts Listing

## IMPORTANT

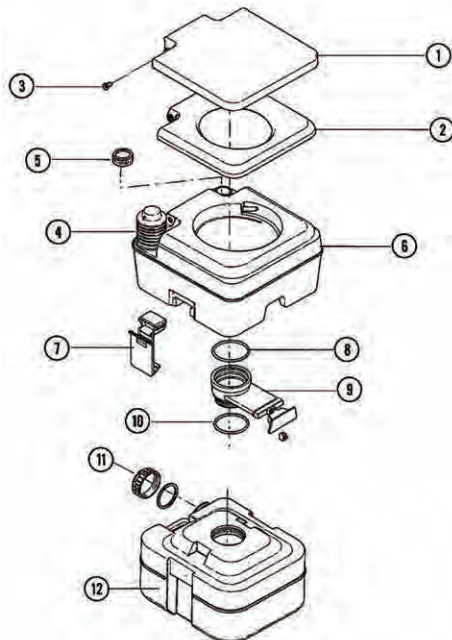
Before using our product, please familiarise yourself with the components.



## Features

- High density polyethylene construction.
- Completely self contained.
- No external connections required.
- Secure clamps and latches.
- All parts are easily replaced by end users.
- 20L waste holding tank.
- 10L fresh water tank.
- Easy to clean and clean.
- Adult sized seat and lid are well constructed.
- Always flushes with clean water, no water is re-circulated.
- Completely self-contained. No external water or power connections.
- Fresh water capacity provides up to 50 flushes.
- Attractive matt finish conceals marks, and allows scrubbing without damage.
- Double sealed drain valve protects against leakage and odour.
- Heavy duty, corrosion resistant side latches lock tanks together.
- Detached waste holding tank is easy to empty.
- Both tanks are single piece construction with no leaking seams.
- Empty waste easily without any tools.
- Selectable bracket can increase the height.

No.	Part No.	Description
1	CHH-T-009	Seat Cover
2	CHH-T-010	Seat
3	CHH-T-011	Hinge Pin
4	CHH-T-015	Bellows Pump Assembly
5	CHH-T-019	Cap, Fresh Water Holding Tank
6	CHH-T-012	Fresh Water Holding Tank Assembly
7	CHH-T-021	Latch Assembly
8	CHH-T-003	Sealed C Ring
9	CHH-T-014	Slide Valve Assembly
10	CHH-T-004	Sealed D Ring
11	CHH-T-023	Cap, Waste Holding Tank
12	CHH-T-024	Waste Holding Tank 20L



# Assembly & Care Instructions

## PREPARING FOR USE

1. Set the **SLCATL120** on its front side so that the cap on the waste holding tank is in a vertical position. Remove the cap and add deodoriser following instructions on the deodoriser container. Tighten the cap firmly.

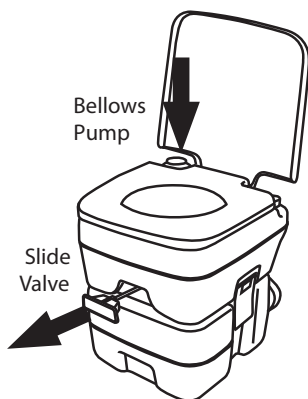
2. Set the toilet in an upright position and remove the cap located on the right rear side of the fresh water tank. Fill with fresh water up to the top of the fresh water tank. Then tighten the cap firmly.

### Caution:

- A.** Do not add deodoriser to top fresh water tank.
- B.** Avoid adding holding tank deodoriser through bowl. Use cap on the bottom rear tank if possible. Rinse off any spilled or splashed deodoriser immediately.
- C.** Atmospheric pressure and temperature changes may cause pressure build up in lower holding tank. Caution should be used when first opening the slide valve.

## USE AND OPERATION

1. Close Slide Valve by pushing in fully.
2. Depress Flush Pump to add water to the bowl.
3. After use, pull Slide Valve handle out.
4. Depress Flush Pump again to rinse the bowl.
5. Close Slide Valve by pushing in fully.



## EMPTYING WASTE HOLDING TANK

The **SLCATL120** has a 20L waste holding tank. It should be emptied when contents reaches approximately 2cm below Slide Valve, or the level indicator turns to red.

1. Separate tanks by pulling outward on side latches, then lifting upward on water tank. Make sure slide valve is completely closed.
2. Use moulded handle to carry the holding tank.
3. Remove the cap, with holding tank in vertical position.
4. To avoid splashing, slowly pour contents out of the tank. Add fresh water, close cap and shake tank to rinse.
5. Remove cap and pour rinse water out of the tank. Close cap firmly and assemble fresh water tank and waste holding tank together again.
6. Prepare for continued use by following steps 1 and 2 of "Preparing for Use".

## SAFETY INSTRUCTION

1. Handle with care.
2. Avoid exposure to direct sunlight for extended periods of time.
3. Avoid high temperatures over 50°C.
4. To avoid injury DO NOT lean against lid when being used.
5. Ensure waste tank is cleaned regularly.
6. Suitable for use with any brand of portable toilet chemicals and deodorisers.

## MAINTENANCE

1. Lubricate Slide Valve seals periodically with silicone spray or white grease lubricant.
2. The Slide Valve may be removed for cleaning or inspection by simply unscrewing in a counter clockwise direction.
3. Clean exterior of toilet with a mild, non-abrasive bathroom cleaner.

## STORAGE

To store our Portable Toilet when not in use:

1. Empty the top tank and waste holding tank.
2. Make sure all water is cleared from the bellows pump by depressing pump several times.
3. Stored away from direct sunlight.

**Note:** A small amount of water may remain in the top tank but will be harmless during storage.



SereneLife

SereneLifehome.com