

# SLCGB30

nutrichef

## Portable Outdoor Charcoal BBQ Grill

Stainless Steel Charcoal Grill Offset Smoker with Cover (Black)

### User Guide

#### Features:

- Zinc Plated Charcoal Grill
- Bakelite Cover Handle and Plastic Cool Touch Handle on Unit
- Multi-Functional BBQ Grill
- Ideal for Outdoor Use
- Durable Steel and Anti-Rust
- Heavy-duty and Solid Construction
- With Wheels on the Bottom to Help Transport when Needed
- Attached Steel Firebox Helps Reduce Smoking
- Sleek and Stylish Black Design
- Made of Durable Steel, Anti-Rust
- Side Shelf that Holds Food and Tools for Added Convenience
- With Fire Box, Cooking Chamber, Chimney, Front Shelf and Adjustable Damper
- Lid-mounted Temperature Gauge
- Suitable for Bake, Braise, Smoke, Roast, and Grill
- Removable Charcoal Pan
- Cool-touch Spring Handles

#### What's in the Box:

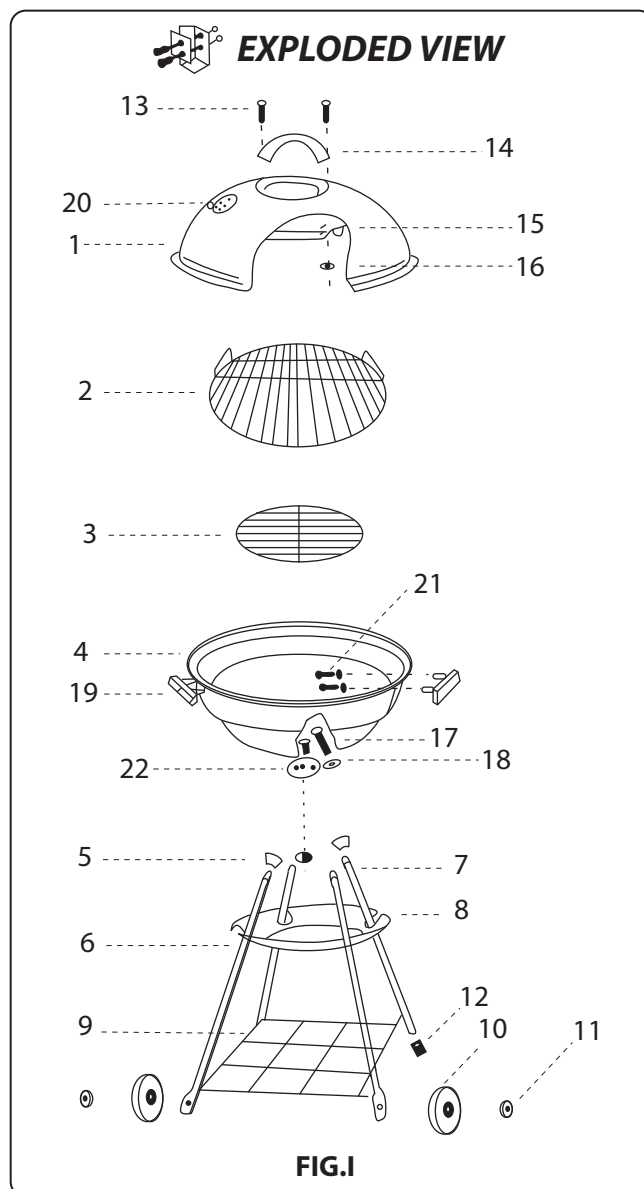
- (1) Set of Charcoal BBQ Grill

#### Technical Specs:

- Construction Material: Steel
- Cover: Cold Roll Steel and Powder Coating
- Body: Cold Roll Steel and Porcelain Coating
- Chrome Plate Mesh Grill Diameter: 16" -inches
- Bowl Diameter: 17" -inches
- Cooking Height: 22.4" -inches
- Ash Collector: 0.4mm C.R.S.
- Product Dimensions: 2.83" x 2.56" x 4.92" -inches

#### PARTS LISTING:

PART NO.	DESCRIPTION	QUANTITY
1	GRILL TOP	1
2	GRILL	1
3	GRATE	1
4	GRILL BOTTOM	1
5	LEG HOLDERS	4
6	SHORT LEGS	2
7	LONG LEGS	2
8	ASH TRAY	1
9	RECTANGULAR WIRE SHELF	1
10	WHEEL (6")	2
11	NUT - WHEEL	2



PART NO.	DESCRIPTION	QUANTITY
12	LEG CAP	2
13	SCREW - TOP HANDLE	2
14	PHENOLIC HANDLE	1
15	LID HANGER BRACKET	1
16	HEX NUTS	2
17	LEG SCREWS	4
18	LEG WASHERS	4
19	PHENOLIC HANDLE	2
20	SCREW, NUT AND VALVE	1
21	SCREW - GRILL BOTTOM HANDLE	4
22	ASH LEAK	1

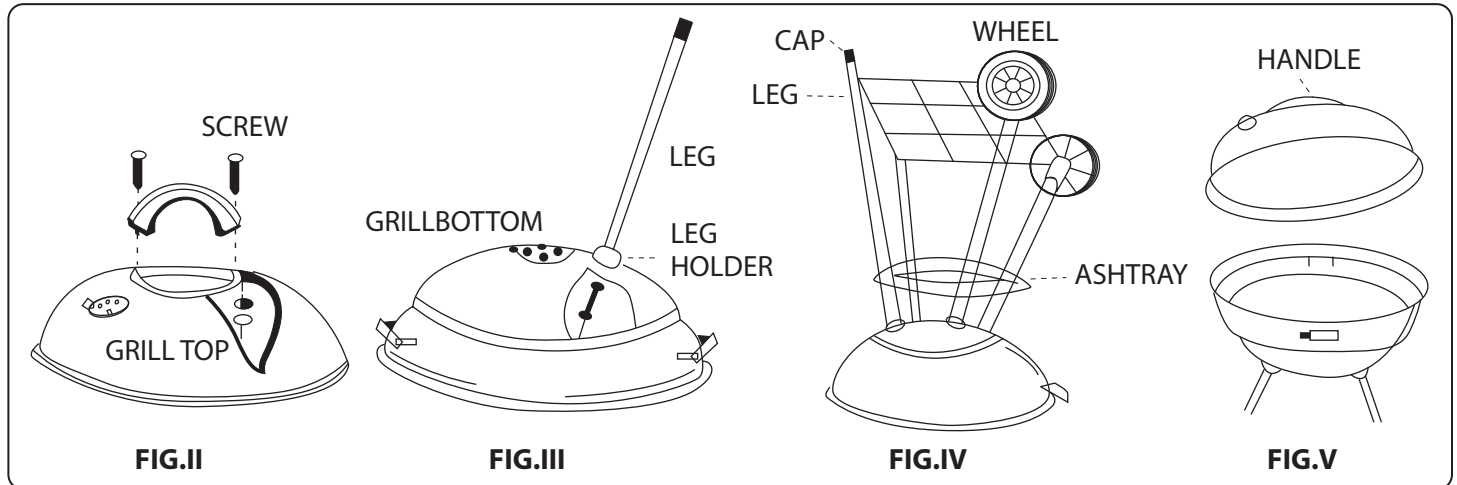
## ASSEMBLY INSTRUCTIONS

### TOOLS NEEDED:

- 5/16 OPEN END WRENCH
- PLIERS
- SLOTTED SCREWDRIVER
- PHILLIPS HEAD SCREWDRIVER

### PRE-ASSEMBLY CHECKLIST:

- To assure fast and easy assembly, follow the instructions below in their proper sequence.
- Check all parts carefully and compare them to the parts listing.
- Report any missing parts to the company from which you purchased the product.



1. Install the curved phenolic handle (14) and lid hanger bracket (15) to the grill top (1), using two screws (13), nut (16).
2. Install two flat phenolic handles (19) to the grill bottom (4), using four screws (21).
3. Insert leg holder (5) on the short legs (6) & long legs (7), and attach them to grill bottom (4) one by one. Using the longest screws (17) and washers (18). Turn with fingers, as figure III shown.

**NOTE: ONE HANDLE SHOULD BE LOCATED BETWEEN THE TWO LONG LEGS AND THE OTHER HANDLE SHOULD BE LOCATED BETWEEN THE TWO SHORT LEGS.**

4. Insert the rectangular wire shelf (9) into the leg ends. The bent tip goes into the holes of long legs first. (With the bent tip pointing in the opposite direction of the grill). Then, align and insert the other ends into two short legs, (Make sure the hole which is closest to the end of the leg faces outward).
5. Insert wheel (10), secure with nut (11) on both sides.
6. Insert the plastic caps onto the long leg s ends.
7. Turn the unit up right. Tighten each screw to secure each leg to bottom unit.
8. Install ash tray (8) by aligning slots with legs and rotating to lock in place.
9. Place small grate (3) onto the bottom, and grill (2) onto top recess.

**IMPORTANT: AS WITH ANY ROUND SMOKER, CARE MUST BE TAKEN TO PREVENT HEAT DAMAGE TO ANYTHING AROUND OR UNDER THE GRILL. DO NOT USE WATER ON BBQ WHILE HOT AS THIS WILL DAMAGE THE FINISH. CLOSE ALL VENTS TO EXTINGUISH COALS.**

### ⚠ WARNING:

**Great care has been taken during production to remove sharp edges but you should handle all components with care to avoid possible injury.**



### Questions? Comments?

We are here to help!

Phone: (1) 718-535-1800

Email: [support@pyleusa.com](mailto:support@pyleusa.com)